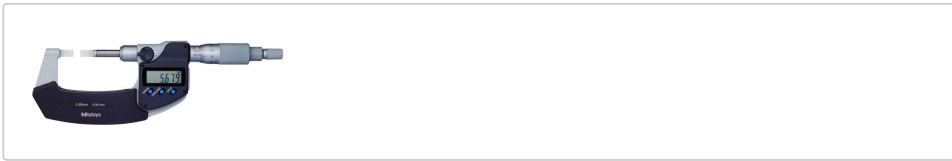


Mitutoyo

Digital Blade Micrometer, Blade=0,4mm 0-25mm

Item number: 422-260-30



Description

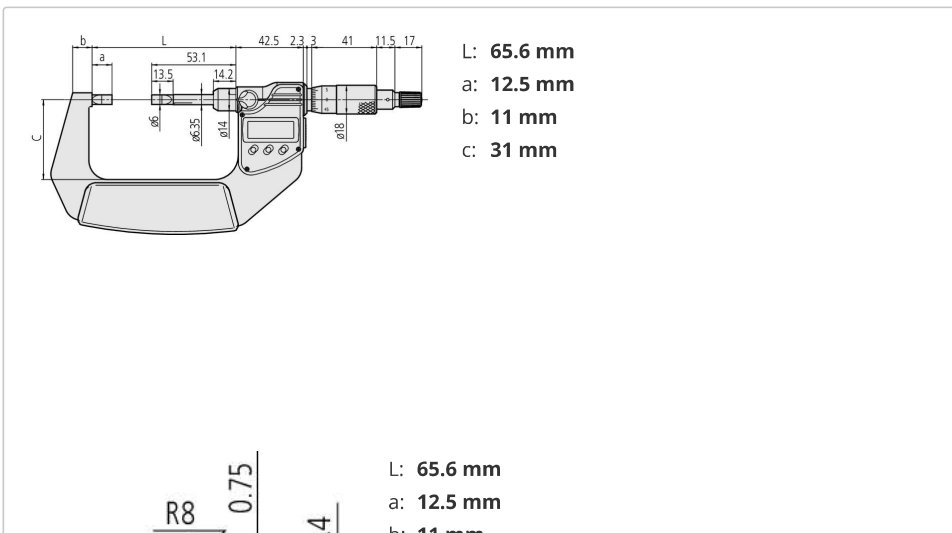
This Digimatic Blade Micrometer is designed to help you measure hard-to-reach features. It offers the following benefits:

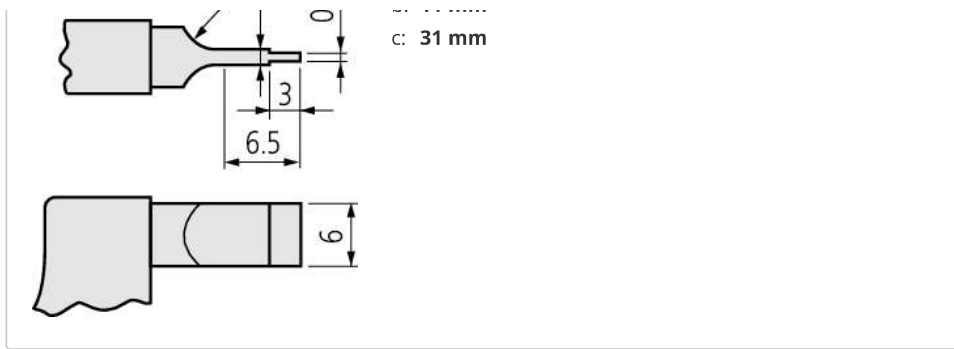
- Blade-shaped anvil and spindle for measuring the groove diameter of shafts, keyways and other hard-to reach features
- Non-rotating spindle

Features

Range:	0 - 25 mm
Parallelism:	3 μm
Digital step:	0,001 mm
Maximum Permissible Error J MPE:	$\pm 3 \mu$m
Anvil / Spindle:	Type B, spherical anvil and spindle SR=4 mm
Mass:	365 g
Display:	LCD, character height 7.5 mm
Measuring face:	Carbide-tipped or hardened steel spindle and anvil
Measuring spindle:	With spindle lock, $\varnothing 6,35$ mm, spindle pitch 0,5 mm
Scale:	Thimble and sleeve satin chrome finish, $\varnothing 18$ mm
Measuring force:	3 - 8 N
Power supply:	1 battery SR-44
Battery life:	Approx. 2,4 years
Digital/Analog:	Digital
Inch-Metric:	Metric
Measuring spindle:	With spindle lock, $\varnothing 6,35$ mm, non-rotating, spindle pitch 0,5 mm
Battery life:	Approx. 2,4 years
Delivered:	Including box, key, 1 battery, setting standard (from 25 mm upward)

Dimensions





Accessories

Optional accessories:



Digimatic Cable with Data Button IP Type 1m, Micrometer Type

05CZA662

Suggested retail price: 91.00 €*



Digimatic Cable with Data Button IP Type 2m, Micrometer Type

05CZA663

Suggested retail price: 92.00 €*



USB Input Tool Direct (Digimatic USB) Digi/Digi2, With Data Button IP Micrometer Type

06AFM380B

Suggested retail price: 122.00 €*



U-WAVE fit, IP67 Type Wireless Transmitter for Micrometer

264-622

Suggested retail price: 163.00 €*



U-WAVE fit, Buzzer Type Wireless Transmitter for Micrometer

264-623

Suggested retail price: 163.00 €*



U-WAVE Bluetooth, IP67 Wireless Transmitter for Micrometer

264-626

Suggested retail price: 163.00 €*



U-WAVE Bluetooth, Buzzer Wireless Transmitter for Micrometer

264-627

Suggested retail price: 163.00 €*



Connection Unit, U-WAVE fit Waterproof Type

02AZF310

Suggested retail price: 97.00 €*



Micrometer Stand, 45° Angle Type for Micrometer 0-50mm/0-2"

156-105-10

Suggested retail price: 48.00 €*



Micrometer Stand, Adjustable Angle Type for Micrometer 0-100mm/0-4"

156-101-10



Suggested retail price: **59.00 €***

Spare parts

Consumable spares:



Battery SR44 1.5V
938882