

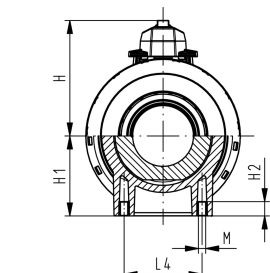
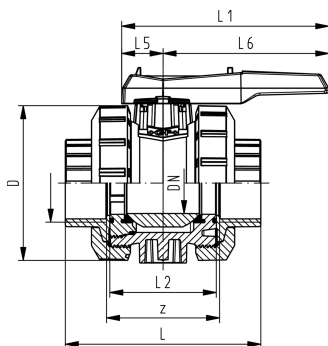
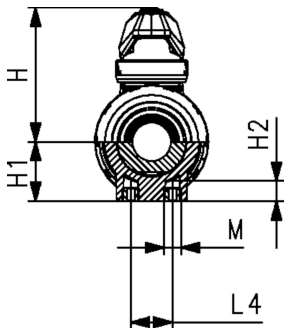
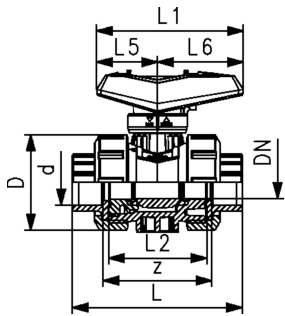
Ball valve type 546 Pro PVC-U With solvent cement sockets inch BS

Model:

- Lockable lever as standard (DN10-DN50)
- For easy installation and removal
- Ball seals PTFE
- Integrated stainless steel mounting inserts
- Z-dimension, valve end and union nut **are compatible** with type 546 (1st Generation)

Option:

- Interface-module with position feedback sensor, incl. LED feedback (DN10-50)
- Manual spring return lever ("Dead man") (DN10-50)
- Pneumatic or electric actuators from GF
- Individual configuration of the valve possible
- Multifunctional module with integrated limit switches (DN65-100)



Size (inch)	d (mm)	DN (mm)	PN (bar)	kv-value ($\Delta p=1$ bar) (L/min)	EPDM Code	SP	Weight (kg)	FKM Code	SP	Weight (kg)
3/8	16	10	16	71	161 546 241	1	0.150	161 546 251	1	0.150
1/2	20	15	16	185	161 546 242	1	0.150	161 546 252	1	0.150
3/4	25	20	16	350	161 546 243	1	0.230	161 546 253	1	0.230
1	32	25	16	700	161 546 244	1	0.335	161 546 254	1	0.330
1 1/4	40	32	16	1000	161 546 245	1	0.585	161 546 255	1	0.585
1 1/2	50	40	16	1600	161 546 246	1	0.850	161 546 256	1	0.862
2	63	50	16	3100	161 546 247	1	1.567	161 546 257	1	1.582
3	90	80	16	7000	161 546 249	1	5.607	161 546 259	1	5.404
4	110	100	16	11000	161 546 250	1	8.531	161 546 260	1	8.581

Size (inch)	D (mm)	H (mm)	H1 (mm)	H2 (mm)	L (mm)	L1 (mm)	L2 (mm)	L4 (mm)	L5 (mm)	L6 (mm)	M	z (mm)
3/8	50	61	27	12	92	82	56	25	35	47	M6	64
1/2	50	61	27	12	95	82	56	25	35	47	6	64
3/4	58	74	30	12	110	106	65	25	44	62	M6	72
1	68	80	36	12	123	106	71	25	44	62	6	79
1 1/4	84	95	44	15	146	131	85	45	57	74	M8	93
1 1/2	97	102	51	15	157	131	89	45	57	74	8	100
2	124	117	64	15	183	152	101	45	66	86	M8	113
3	200	161	105	15	255	270	141	70	64	206	M8	157
4	238	178	123	22	301	320	164	120	64	256	M12	178

Data sheet

valid from: 6/3/19



The technical data are not binding. They neither constitute expressly warranted characteristics nor guaranteed properties nor a guaranteed durability. They are subject to modification. Our General Terms of Sale apply.

Georg Fischer Piping Systems Ltd, Postfach, CH-8201 Schaffhausen/Switzerland

Phone +41 -(0)52-631 1111

e-mail: info.ps@georgfischer.com

Internet: <http://www.gfps.com>