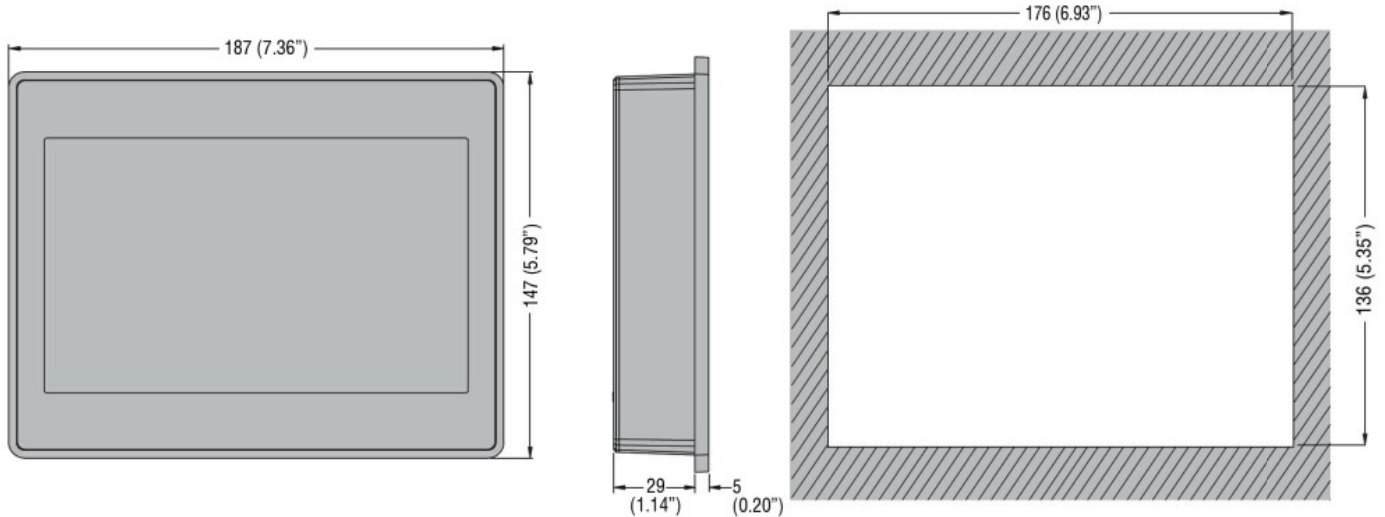




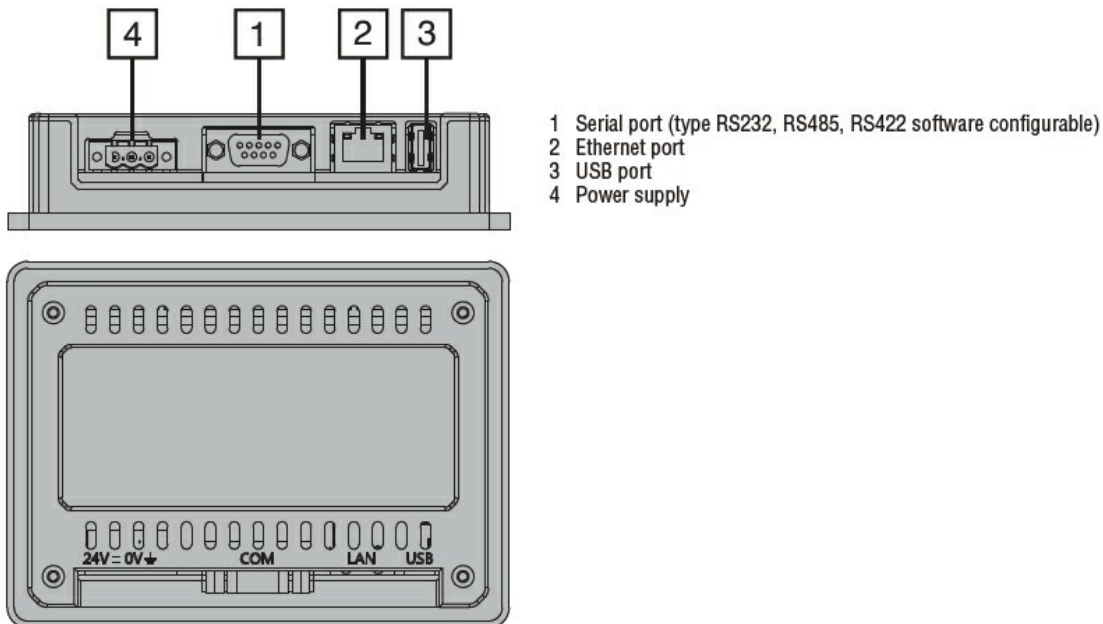
Product designation	HMI
Product type designation	LRHA07
Auxiliary supply voltage	24VDC
Power supply	
Rated auxil. supply voltage	24VDC
Operating voltage range	18...32VDC
Average current consumption	mA 300
System resources	
Display	7" TFT 16:9
Colors	64K
Resolution	800x480
Brightness	200Cd/m2
Dimming	Yes
Touchscreen	Resistive
CPU	ARM Cortex A8 1GHz
Operative system	Linux 3.12
Flash	4GB
RAM	512MB
Application memory	60MB
Real Time Clock	Yes
Communications	
Type of communication port	1 Ethernet (10/100Mbit), 1 USB (Host v2.0, max 500mA) and 1 Serial (RS232, RS485, RS422 software configurable)
Connections	
Terminals type	Screw, extractable
Ambient conditions	
Temperature	
Operating temperature	max °C +50
Storage temperature	min °C -20
	max °C +70
Relative humidity	% 5...85% without condensation
Maximum Pollution degree	2
Housing	
Mounting	Flush mount

Degree of protection		IP66, type 2, 4X (front); IP20 (rear)
Dimensions (W x H x D)	mm	187 x 147 x 34
Weight	g	600

Dimensions



Wiring diagrams



Certifications and compliance

Compliance

emissions EN 61000-6-3
EN 61000-6-4
immunity EN 61000-6
immunity EN 61000-6-2 for installation in industrial environments

Certificates

cULus
RCM