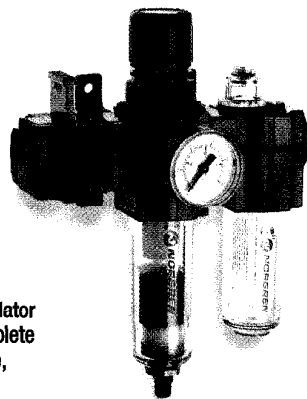




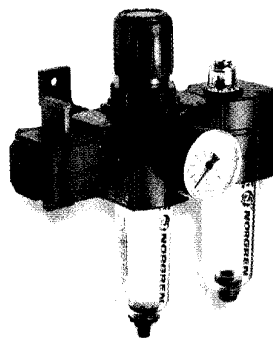
Excelon modular system Boxed sets and combination units

Filter/regulators and lubricators

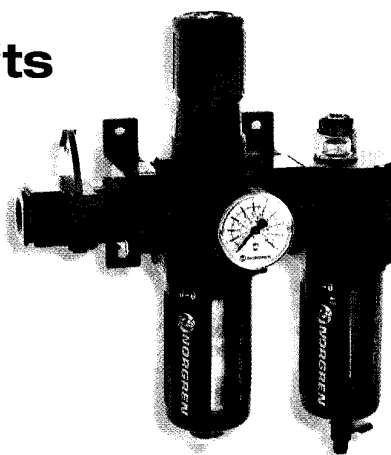
G $\frac{1}{4}$... G $\frac{1}{2}$



BL72



BL73



BL74

Features

Boxed sets include: filter/regulator and micro-fog lubricator complete with exhausting shut-off valve, pressure gauge and mounting brackets

High efficiency water and particle removal

Quick release bayonet bowls

Push to lock adjusting knob with tamper resistant option

All round (360°) visibility of lubricator sight feed dome for ease of drip rate setting

Micro-fog lubricator for most general purpose pneumatic applications

Technical data

Medium:

Compressed air

Maximum pressure:

Transparent & guarded bowls: 10 bar

Metal: 17 bar

Ambient temperature:

Transparent & guarded bowls: -20°C to +50°C.

Consult our Technical Service for use below +2°C.

Materials

BL72, FL72:

Polycarbonate bowl standard, zinc bowl optional. Zinc body. Neoprene, nitrile and Geolast elastomeric materials. Transparent nylon liquid level indicator lens for metal bowl. Filter/regulator: Acetal bonnet. Sintered polypropylene element. Brass valve. Lubricator: Transparent nylon sight-feed dome.

BL73:

Aluminium bonnet, brass valve. Sintered plastic element. Aluminium body and bowl. Transparent nylon liquid level indicator and sight feed dome. Neoprene and nitrile elastomers.

BL74:

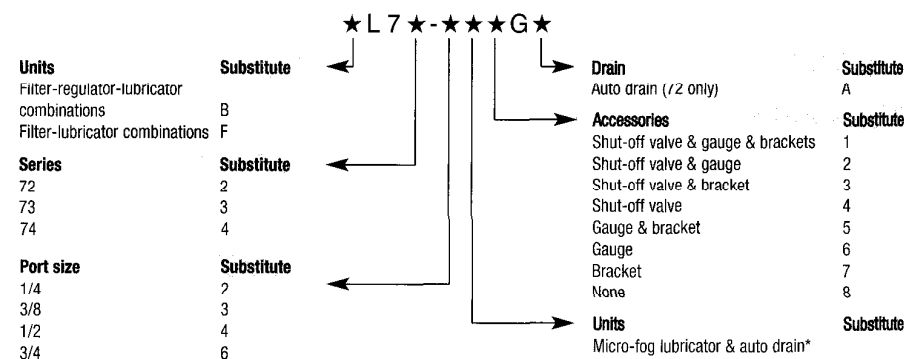
Aluminium bonnet, brass valve. Sintered plastic element. Aluminium body, transparent polycarbonate with steel bowl guard. Transparent nylon sight-feed dome, neoprene and nitrile elastomers.

ref:
372 01

	Symbol	Size	Element (µm)	Bowls	Range (bar)	Operation	Model Auto*	Manual**
Boxed sets		G1/4	40	Transparent	0,3 ... 10	Relieving	BL72-201 GA	BL72-221G
		G3/8	40	Transparent	0,3 ... 10	Relieving	BL73-301G	BL73-321G
		G1/2	40	Guarded transparent	0,3 ... 10	Relieving	BL74-401G	BL74-421G
Filter-regulator & lubricator combinations		G1/4	40	Transparent	0,3 ... 10	Relieving	BL72-208GA	BL72-228G
		G3/8	40	Transparent	0,3 ... 10	Relieving	BL72-308GA	BL72-328G
		G1/2	40	Transparent	0,3 ... 10	Relieving	BL73-400G	BL73-420G
		G1/2	40	Guarded transparent	0,3 ... 10	Relieving	BL74-408G	BL74-428G
		G3/4	40	Guarded transparent	0,3 ... 10	Relieving	BL74-608G	BL74-628G
Filter & lubricator combinations		G1/4	40	Transparent			FL72-208GA	FL72-228G
		G3/8	40	Transparent			FL72-308GA	FL72-328G

* For metal bowl options substitute '5' at 7th digit e.g. BL73-351G ** For metal bowl options substitute '6' at 7th digit e.g. BL72-261G

Options selector



** Semi-auto 72 only

Excelon modular system Boxed sets and combination units

Filter/regulators and lubricators

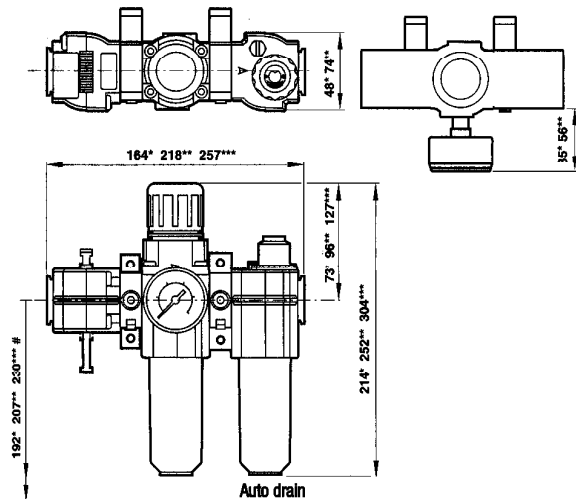
G1/4 ... G1/2

Accessories

	Gauges 0 ... 10 bar ‡	Tamper resistant cover & seal wire	Seal wire	Tamper resistant snap-on cap for lubricator sight feed dome#	Exhaust port silencer for 3/2 shut-off valve	3/2 Shut-off valve	Wall mounting bracket
BL72	18-013-989	4255-51	2117-01	4050-89	T40M0500	T72T-2GA-P1N (G1/4)	4213-89
FL72	-	-	-	4050-89	-	T72T-3GA-P1N (G3/8)	4213-89
BL73	18-013-013	4455-51	2117-01	4050-89	T40M0500	T73T-3GA-P1N (G3/8)	4313-50
FL73	-	-	-	4050-89	-	T73T-4GA-P1N (G1/2)	4313-50
BL74	18-013-013	4355-50*	2117-01	-	T40B1800	T74T-4GA-P1N (G1/2)	4313-50
FL74	-	-	-	-	-	T74T-6GA-P1N (G3/4)	4313-50

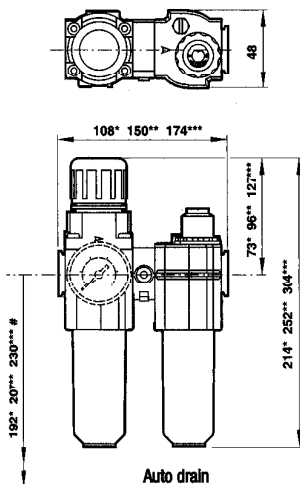
Pack of 10. ‡ For additional gauges see page 424 * Seal wire not included.

Boxed sets



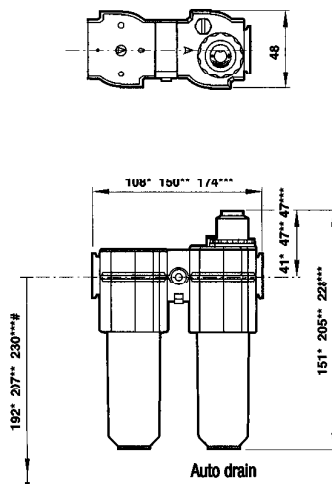
*BL72 **BL73 ***BL74 # Minimum clearance required to remove bowl.

Filter/regulator & lubricator combinations



*BL72 **BL73 ***BL74
Minimum clearance required to remove bowl.

Filter & lubricator combinations



*BL72 **BL73 ***BL74
Minimum clearance required to remove bowl.