

## Datasheet - BPS 40S-1-C

Safety sensors / BNS 40S / Actuator



(Minor differences between the printed image and the original product may exist!)

- Stainless steel enclosure
- Actuator and sensor on a mounting level

### Ordering details

Product type description	BPS 40S-1-C
Article number	101215266
EAN code	
eCl@ss	27-27-92-17

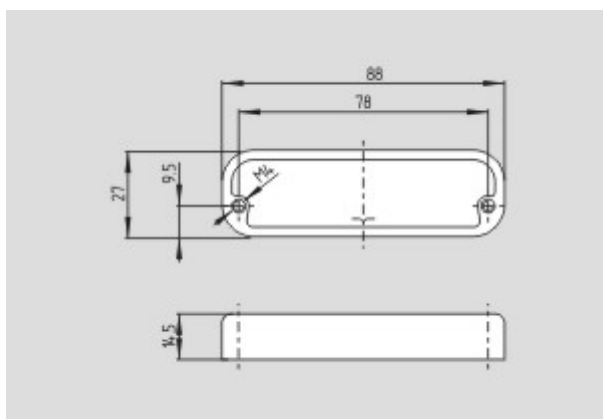
### Global Properties

Product name	Magnet
Materials	
- Material of the housings	Stainless steel (V4A)
Weight	
Concealed threaded holes on the back (Y/N)	Yes

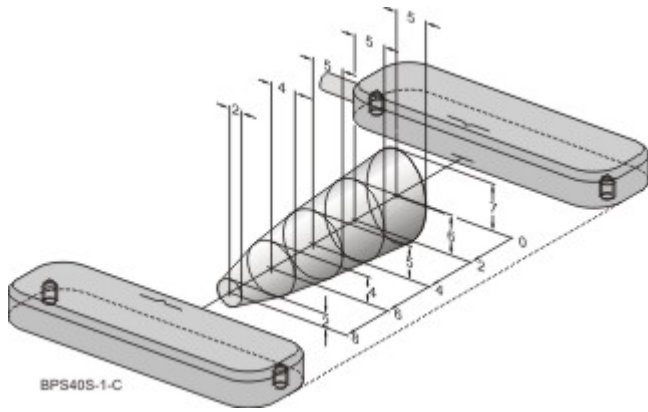
### Dimensions

Dimensions of the actuators	
- Width of the actuator	88 mm
- Height of the actuator	27 mm
- Length of the actuator	14.5 mm

### Images



Dimensional drawing (basic component)



Characteristic curve

---

K.A. Schmersal GmbH & Co. KG, Möddinghofe 30, D-42279 Wuppertal  
The data and values have been checked thoroughly. Technical modifications and errors excepted.  
Generiert am 08.04.2015 - 16:34:47h Kasbase 3.1.2.F.64I