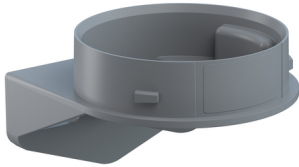


EvoSIGNAL / EvoSIGNAL Accessories

Mini Bracket GY



Part No.: 260.700.07



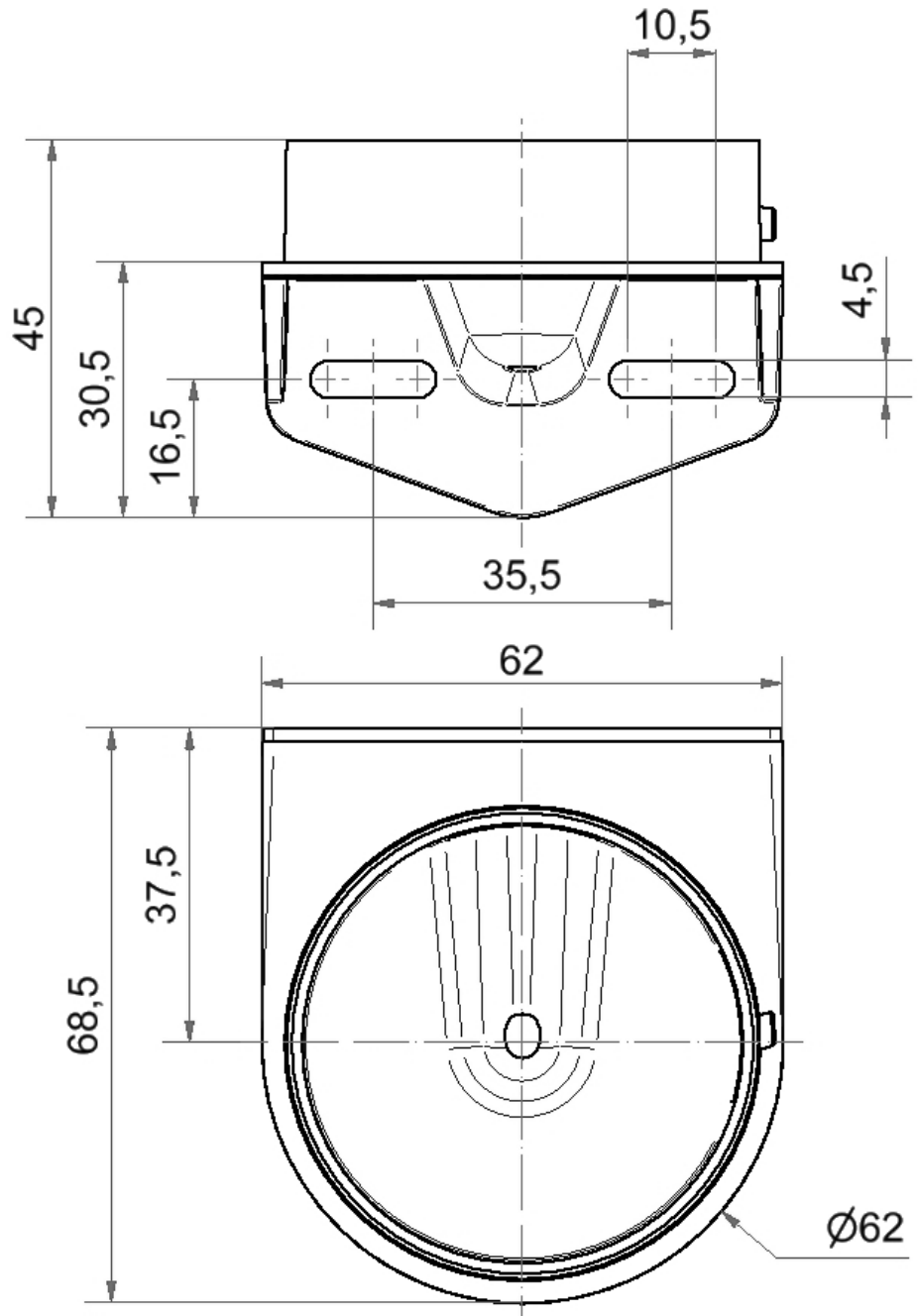
MECHANICAL DATA	
Length	69 mm
Width	62 mm
Height	45 mm
Diameter	62 mm
Materials	PC/ABS
Housing colour	Grey
Protection category	IP66
Cable entry	Through hole
Cable entry maximum	d = 9 mm
Type of fixing	Wall mounting
Working temperature minimum	-30°C
Working temperature maximum	+60°C
UL Type Rating	Type 12
Weight with packaging	30 g
Product weight	26 g
ELECTRICAL DATA	
Pollution degree	3



For additional installation and mounting information, refer to the appropriate user guide at www.werma.com. This printed copy is for information only and is subject to alteration.

EvoSIGNAL / EvoSIGNAL Accessories
Mini Bracket GY

DRAWING



For additional installation and mounting information, refer to the appropriate user guide at www.werma.com. This printed copy is for information only and is subject to alteration.