

Mini / LED/Buzzer 422

**LED Buzzer WM Contin/pulse 230VAC RD**

Part No.: 422.110.68

**MECHANICAL DATA**

Height	121 mm
Diameter	83 mm
Materials	PC
Dome colour	Red
Housing colour	Grey
Protection category	IP65
Connection	Screw terminals
cross-sectional area maximum	1,50mm <sup>2</sup> / 16AWG
Cable entry	Membrane grommet
Cable entry minimum	d = 1 mm
Cable entry maximum	d = 9 mm
Tension relief	Pull-out protection
Type of fixing	Wall mounting
Working temperature minimum	-20°C
Working temperature maximum	+50°C
Weight with packaging	165 g
Product weight	125 g

**ELECTRICAL DATA**

Operating voltage	230V
Operating voltage type	AC
Operating voltage frequency	50Hz
Operating voltage tolerance	+/- 10%
Rated operational voltage	230 VAC
Rated operational current	40 mA
Rated inrush current	<2A
Protection class	Protection class 2
Pollution degree	3
Overvoltage category	II
Isolation voltage	Ui = 250V; Uimp = 2.500V

**OPTICAL DATA**

Light source	LED
Light colour	Red
Optical signal image	Permanent
Service life optical	50,000 h maximum

**ACUSTICAL DATA**

Volume (max) at 1m distance	92,0 dB (A)
-----------------------------	-------------



For additional installation and mounting information, refer to the appropriate user guide at [www.werma.com](http://www.werma.com). This printed copy is for information only and is subject to alteration.

Mini / LED/Buzzer 422

**LED Buzzer WM Contin/pulse 230VAC RD**

Acoustic signal image	Continuous tone Pulse tone
Audio frequency	2300 Hz
Acoustic service life	5,000 h minimum

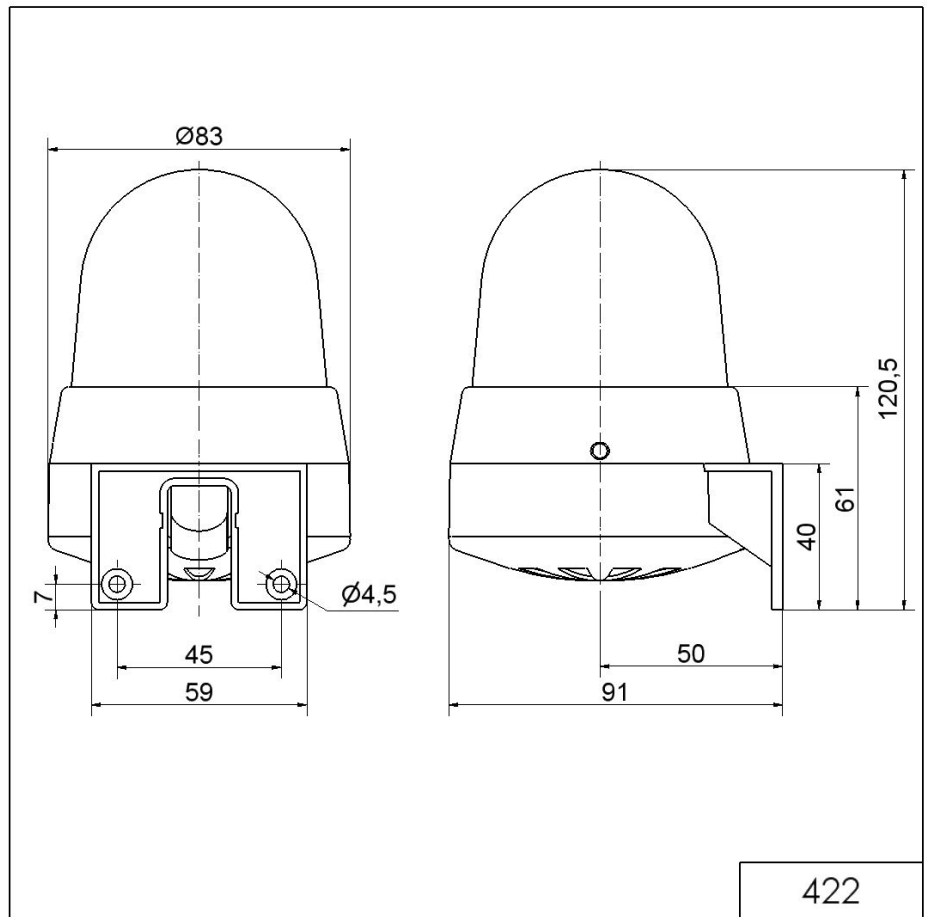
<b>APPROVAL DATA</b>	
Conforms with CE	Yes
WEEE	Yes
Conforms with ATEX-directive	No
Conforms with CCC	Yes
Conforms with UL	No
Conforms with FCC	No
Conforms with IC	No
EAC certificate available	Yes
Conforms with AS-I	No
ICAO Certification	No
Conforms with DNV	No
Conforms with RoHS CN	No
Conforms with VdS	No

**!** For additional installation and mounting information, refer to the appropriate user guide at [www.werma.com](http://www.werma.com). This printed copy is for information only and is subject to alteration.

Mini / LED/Buzzer 422

**LED Buzzer WM Contin/pulse 230VAC RD**

**DRAWING**



**!** For additional installation and mounting information, refer to the appropriate user guide at [www.werma.com](http://www.werma.com). This printed copy is for information only and is subject to alteration.