



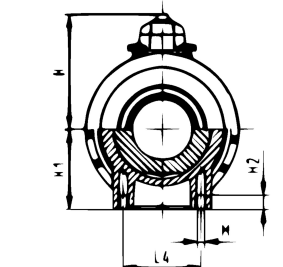
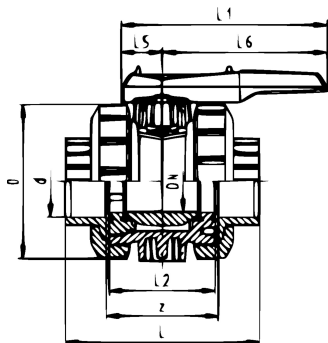
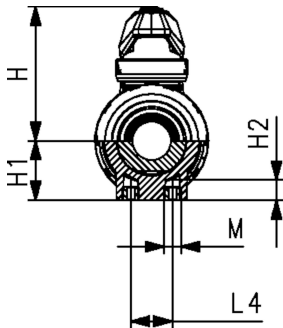
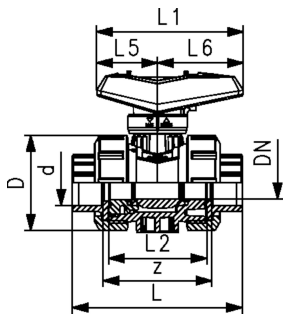
Ball valve type 546 Pro PVC-U With solvent cement sockets metric

Model:

- Lockable lever as standard (DN10-DN50)
- For easy installation and removal
- Ball seals PTFE
- Integrated stainless steel mounting inserts
- Z-dimension, valve end and union nut **are compatible** with type 546 (1st Generation)

Option:

- Interface-module with position feedback sensor, incl. LED feedback (DN10-50)
- Manual spring return lever ("Dead man") (DN10-50)
- Pneumatic or electric actuators from GF
- Individual configuration of the valve possible
- Multifunctional module with integrated limit switches (DN65-100)



d (mm)	Size (inch)	DN (mm)	PN (bar)	kv-value ($\Delta p=1$ bar) (L/min)	EPDM Code	SP	Weight (kg)	FKM Code	SP	Weight (kg)
16	3/8	10	16	71	161 546 061	1	0.153	161 546 071	1	0.156
20	1/2	15	16	185	161 546 062	1	0.156	161 546 072	1	0.158
25	3/4	20	16	350	161 546 063	1	0.240	161 546 073	1	0.242
32	1	25	16	700	161 546 064	1	0.343	161 546 074	1	0.345
40	1 1/4	32	16	1000	161 546 065	1	0.610	161 546 075	1	0.615
50	1 1/2	40	16	1600	161 546 066	1	0.838	161 546 076	1	0.844
63	2	50	16	3100	161 546 067	1	1.537	161 546 077	1	1.552
75	2 1/2	65	16	5000	161 546 068	1	4.343	161 546 078	1	3.563
90	3	80	16	7000	161 546 069	1	6.184	161 546 079	1	5.376
110	4	100	16	11000	161 546 070	1	8.642	161 546 080	1	11.600

d (mm)	D (mm)	H (mm)	H1 (mm)	H2 (mm)	L (mm)	L1 (mm)	L2 (mm)	L4 (mm)	L5 (mm)	L6 (mm)	M	z (mm)
16	50	61	27	12	92	82	56	25	35	47	M6	68
20	50	61	27	12	95	82	56	25	35	47	M6	67
25	58	74	30	12	110	106	65	25	44	62	M6	76
32	68	80	36	12	123	106	71	25	44	62	M6	82
40	84	95	44	15	146	131	85	45	57	74	M8	98
50	97	102	51	15	157	131	89	45	57	74	M8	99
63	124	117	64	15	183	152	101	45	66	86	M8	111
75	166	150	85	15	233	270	136	70	64	206	M8	148
90	200	161	105	15	255	270	141	70	64	206	M8	156
110	238	178	123	22	301	320	164	120	64	256	M12	178

Data sheet

valid from: 8/5/19



The technical data are not binding. They neither constitute expressly warranted characteristics nor guaranteed properties nor a guaranteed durability. They are subject to modification. Our General Terms of Sale apply.

Georg Fischer Piping Systems Ltd, Postfach, CH-8201 Schaffhausen/Switzerland

Phone +41 -(0)52-631 1111

e-mail: info.ps@georgfischer.com

Internet: <http://www.gfps.com>