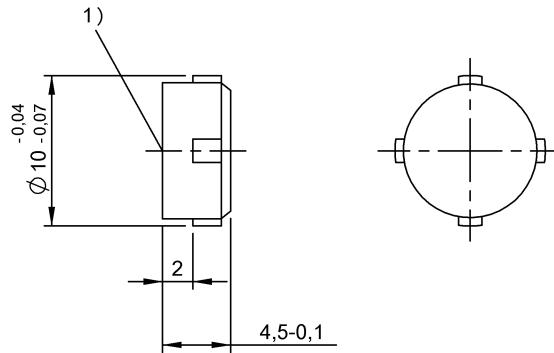


BIS C-122-04/L
Ordering code: BIS0011

Data carrier
BIS C (LF, 70 kHz)

511 bytes
Flush

BALLUFF
sensors worldwide



1) Active surface

Characteristic data

Enclosure Type per IEC 60529 IP68

Mechanical data

Ambient temperature 0...+70 °C
Storage temperature -30 °C ... +85 °C
Housing material EP
Antenna type Round
Free fall EN 60068 Part 2-32
Shock rating EN 60068 Part 2-27
Continuous shock load EN 60068 Part 2-29
Vibration rating EN 60068 Part 2-6

Application weight 0,7 g

Remarks

For installation in hole Ø10 H11 (glue).
On the last page only 31x8 bits are usable.
IP 68 tested to BWN PR 36.
Time specification includes data check.
For application conditions refer to corresponding read/write head.
Values are under rated conditions unless otherwise specified.
Only in conjunction with BIS C-901 or BIS C-6xx and the appropriate read/write head.

