



Ethernet unmanaged switch

ICRL-U-8RJ45-DIN-NT

- Eight - 10/100BASE-TX ports
- Rugged housing for use in harsh environments
- Alarm relay output for port event notifications
- Redundant power input with input power range of 18 to 32VDC
- Suitable for PROFINET IO and EtherNet/IP

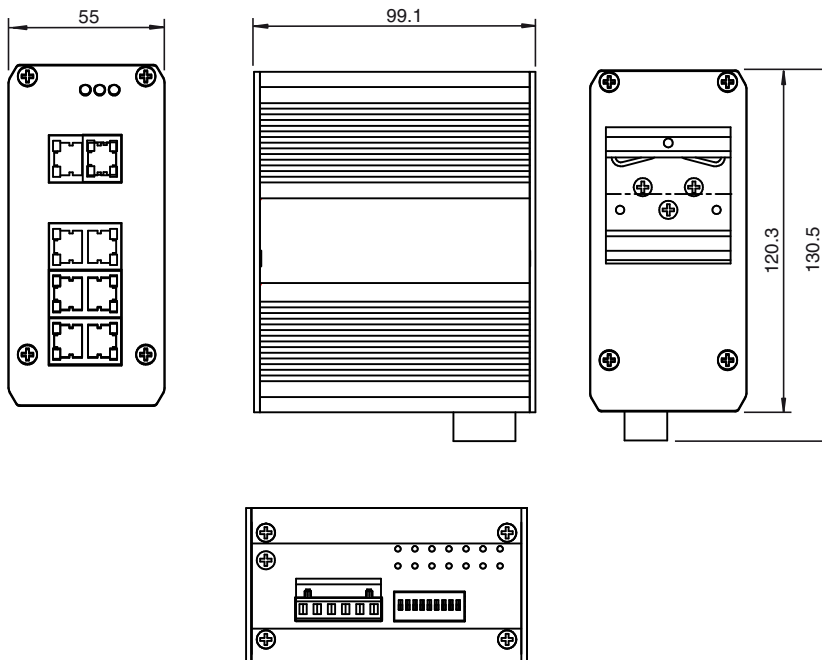
Ethernet unmanaged switch with 8 RJ45 ports and port alarm



Function

The ICRL-U-8RJ45-DIN-NT industrial Ethernet switch is used to build high performance Ethernet networks. The switch is designed for applications that require normal operating temperature range, rugged housings, high-performance communications, and reliable data transfer. This unmanaged switch provides a cost-effective solution for low-level field device connections without the need for complex configuration.

Dimensions



Technical Data

General specifications

UL File Number E185778

Ethernet Interface

Auto-MDI(-X)	yes
Autonegotiation	yes

Release date: 2020-12-08 Date of issue: 2020-12-08 Filename: 70114053_eng.pdf

Refer to "General Notes Relating to Pepperl+Fuchs Product Information".

Pepperl+Fuchs Group
www.pepperl-fuchs.com

USA: +1 330 486 0001
fa-info@us.pepperl-fuchs.com

Germany: +49 621 776 1111
fa-info@de.pepperl-fuchs.com

Singapore: +65 6779 9091
fa-info@sg.pepperl-fuchs.com

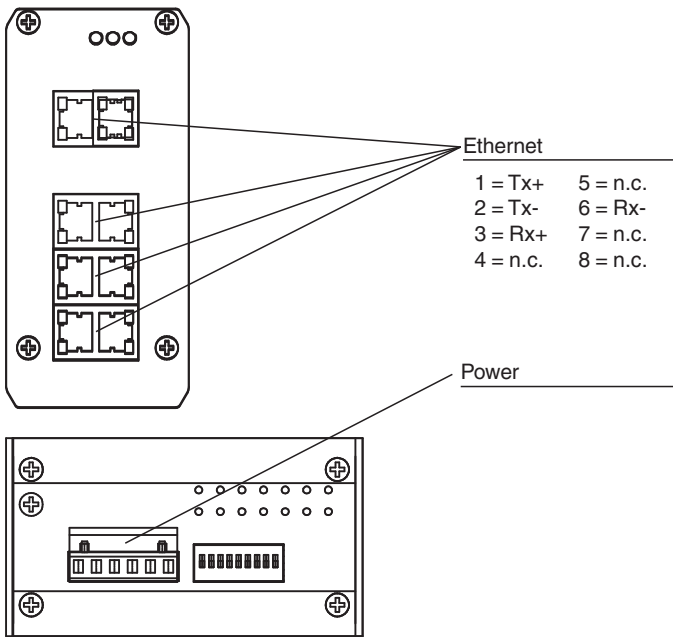
PF PEPPERL+FUCHS

Technical Data

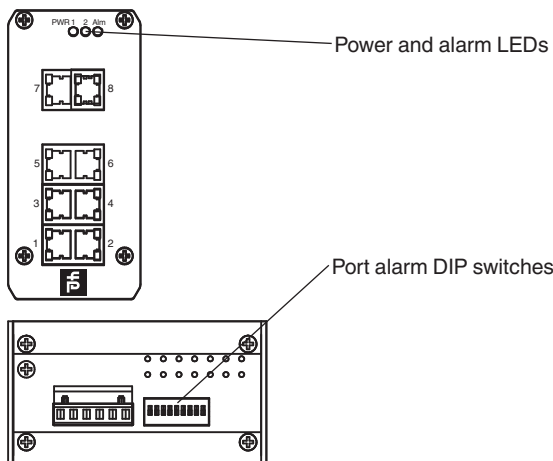
Ethernet Interface	Industrial Ethernet	
Transfer rate	10BASE-T, 100BASE-TX	
Cable type	Category 5e or better	
Standards		
IEEE 802.3 10BASE-T	yes	
IEEE 802.3u 100BASE-TX	yes	
IEEE 802.3x Flow Control and Back-pressure	yes	
IEEE 802.1Q Quality of Service (QoS)	yes	
IEEE 802.1p Class of Service (CoS)	yes	
Indicators/operating means		
LED indication	see manual	
Electrical specifications		
Rated operating voltage	U _e	10 ... 60 V DC
Power consumption	8 W	
General information	Port Failure, DIP switch enabled, Relay Rating, 0,5A Max. @ 24VDC	
Nominal voltage	24 V DC	
Current consumption	typ. 330 mA	
Interface 1		
Interface type	Industrial Ethernet	
Physical	RJ45	
Transfer rate	10/100 Mbps	
Inputs/Outputs		
Number/Type	8 x RJ45	
Directive conformity		
Electromagnetic compatibility		
Directive 2014/30/EU	EN61000-6-2, EN55024	
Standard conformity		
Electrical safety	CSA C22.2 No. 60950 / CSA C22.2 No. 60950/UL60950	
Emitted interference	EN 55032, FCC Part 15 Subpart B, ICES-003, AS/NZS CISPR 32	
Noise immunity	EN 55024	
Ambient conditions		
Ambient temperature	-25 ... 70 °C (-13 ... 158 °F)	
Storage temperature	-40 ... 85 °C (-40 ... 185 °F)	
Relative humidity	max. 95 %	
Altitude	0 ... 3048 m	
Mechanical specifications		
Degree of protection	IP31	
Connection	Power Supply Terminal Block Fieldbus 8 x RJ45	
Material		
Housing	aluminium, black	
Mass	590 g	
Construction type	Cabinet module	
Mounting	DIN rail or direct panel mounting	

Release date: 2020-12-08 Date of issue: 2020-12-08 Filename: 70114053_eng.pdf

Wiring Diagram



Indication



Accessories

	V45-G-C5-GN1M-PUR-E1S	Ethernet bus cable male cordset single-ended RJ45, 4-pin, PUR cable green, Cat5e, shielded, UL approved, drag chain suitable
	V45-G-C5-GN3M-PUR-E1S	Ethernet bus cable male cordset single-ended RJ45, 4-pin, PUR cable green, Cat5e, shielded, UL approved, drag chain suitable
	V45-G-C5-GN10M-PUR-E1S	Ethernet bus cable male cordset single-ended RJ45, 4-pin, PUR cable green, Cat5e, shielded, UL approved, drag chain suitable
	V45-G-C5-GN1M-PUR-E1S-V45-G	Ethernet bus cable RJ45 to RJ45 PROFINET-coded, 4-pin, PUR cable green, Cat5e, shielded, UL approved, drag chain suitable
	V45-G-C5-GN3M-PUR-E1S-V45-G	Ethernet bus cable RJ45 to RJ45 PROFINET-coded, 4-pin, PUR cable green, Cat5e, shielded, UL approved, drag chain suitable
	V45-G-C5-GN10M-PUR-E1S-V45-G	Ethernet bus cable RJ45 to RJ45 PROFINET-coded, 4-pin, PUR cable green, Cat5e, shielded, UL approved, drag chain suitable

Release date: 2020-12-08 Date of issue: 2020-12-08 Filename: 70114053_eng.pdf

Accessories



V45-G-C5-GN20M-PUR-E1S-V45-G

Ethernet bus cable RJ45 to RJ45 PROFINET-coded, 4-pin, PUR cable green, Cat5e, shielded, UL approved, drag chain suitable

Release date: 2020-12-08 Date of issue: 2020-12-08 Filename: 70114053_eng.pdf

Refer to "General Notes Relating to Pepperl+Fuchs Product Information".

Pepperl+Fuchs Group
www.pepperl-fuchs.com

USA: +1 330 486 0001
fa-info@us.pepperl-fuchs.com

Germany: +49 621 776 1111
fa-info@de.pepperl-fuchs.com

Singapore: +65 6779 9091
fa-info@sg.pepperl-fuchs.com