

2/2-way valves DN 8 to DN 50

For slightly aggressive gases and liquids
 Indirectly solenoid actuated
 Diaphragm valves
 Internal thread G 1/4 to G 2 or 1/4" NPT to 2" NPT
 Operating pressure: 0.1 to 16 bar (see technical data)

Description (standard valve)

Solenoid valve for slightly aggressive gases and liquids
 Switching function: normally closed
 Flow direction: determined
 Differential pressure: 0.1 bar required (0.3 bar for EPDM)
 Fluid temperature: -10 °C up to max. +90 °C
 Ambient temperature: -10 °C up to max. +50 °C
 Mounting position: as required, preferably with solenoid vertical on top

Material

Body: Stainless steel 1.4408
 Seat seal: NBR
 Internal parts: Stainless steel, PVDF

For contaminated fluids the use of a strainer upstream of the valve is recommended.

Features

- High flow rate
- Damped operation
- Functional compact design
- Solenoid interchangeable without tools (Click-on®)

Technical data

| Connection size G | DN mm | kv-Value m³/h | Part number* | Operating pressure bar | | | | |
|----------------------|----------|------------------|--------------------|------------------------|---------------------|--------------------------|---------------------|----------------------|
| | | | | NBR 00 | Normally open 01 | Manual override 02 | FPM 110 °C 03 | EPDM 110 °C 14 |
| 1/4 | 8 | 1.9 | 82730XX.9101.00000 | 0.1 - 16 | 0.1 - 16 | 0.1 - 16 | 0.1 - 16 | 0.3 - 16 |
| 3/8 | 10 | 3.0 | 82731XX.9101.00000 | 0.1 - 16 | 0.1 - 16 | 0.1 - 16 | 0.1 - 16 | 0.3 - 16 |
| 1/2 | 12 | 3.8 | 82732XX.9101.00000 | 0.1 - 16 | 0.1 - 16 | 0.1 - 16 | 0.1 - 16 | 0.3 - 16 |
| 3/4 | 20 | 6.0 | 82733XX.9101.00000 | 0.1 - 16 | 0.1 - 16 | 0.1 - 16 | 0.1 - 16 | 0.3 - 16 |
| 1 | 25 | 9.5 | 82734XX.9101.00000 | 0.1 - 16 | 0.1 - 16 | 0.1 - 16 | 0.1 - 16 | 0.3 - 16 |
| 1 1/4 | 32 | 23.0 | 82735XX.9101.00000 | 0.1 - 10 | - | 0.1 - 10 | 0.1 - 10 | 0.3 - 10 |
| 1 1/4 | 32 | 23.0 | 82735XX.9151.00000 | 0.1 - 16 | 0.1 - 16 | 0.1 - 16 | 0.1 - 16 | 0.3 - 16 |
| 1 1/2 | 40 | 25.0 | 82736XX.9101.00000 | 0.1 - 10 | - | 0.1 - 10 | 0.1 - 10 | 0.3 - 10 |
| 1 1/2 | 40 | 25.0 | 82736XX.9151.00000 | 0.1 - 16 | 0.1 - 16 | 0.1 - 16 | 0.1 - 16 | 0.3 - 16 |
| 2 | 50 | 41.0 | 82737XX.9101.00000 | 0.1 - 10 | - | 0.1 - 10 | 0.1 - 10 | 0.3 - 10 |
| 2 | 50 | 41.0 | 82737XX.9151.00000 | 0.1 - 16 | 0.1 - 16 | 0.1 - 16 | 0.1 - 16 | 0.3 - 16 |

* For orders please state voltage and frequency, e.g.: 8273200.9101.23050 for 230V 50Hz or 8273200.9101.02400 for 24V DC

Solenoid 9101 / 9151 (standard voltages)

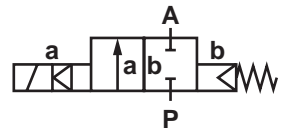
| DC | AC | |
|-----|------|------|
| | 50Hz | 60Hz |
| 24V | 24V | - |
| - | 110V | 120V |
| - | 230V | 220V |

Power consumption

| Solenoid | DC | AC | |
|----------|-----|--------|---------|
| | | Inrush | Holding |
| 9101 | 8W | 15VA | 12VA |
| 9151 | 18W | 45VA | 35VA |

Design according to DIN VDE 0580
 Voltage range +/-10%, duty cycle 100%
 Protection class according to EN 60529: IP65
 Electrical connector according to DIN EN 175301-803 (included)
 The solenoids are UL listed and CSA approved

Click-on®
 Solenoid interchangeable without tools



Mounting bracket*

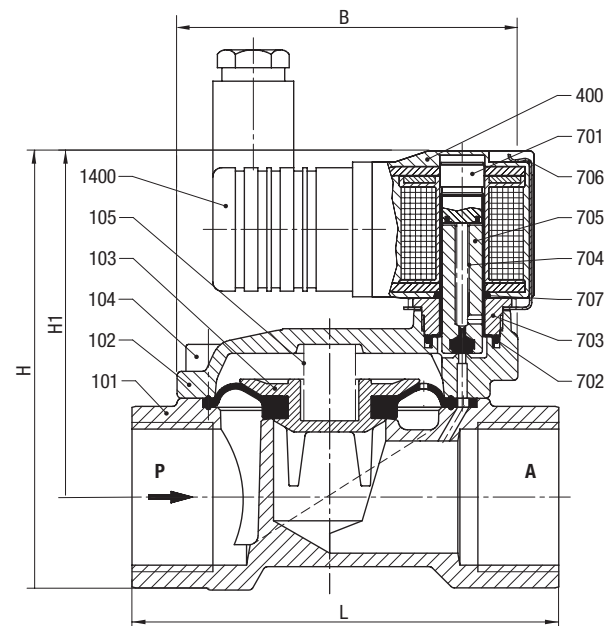
| Connection size G | Part number |
|-------------------|-------------|
| 1/4, 3/8, 1/2 | 1258986 |
| 3/4 | 1258991 |
| 1 | 1258996 |
| 1 1/4, 1 1/2 | 1259005 |
| 2 | 1259007 |

* For image of valve with mounting bracket, see 82400 series (page 105)

Drawing legend

| Index | Description |
|-------|---------------------------------|
| 101 | Valve body |
| 102 | Valve cover |
| *103 | Diaphragm |
| 104 | Allen head screw |
| *105 | Pressure spring |
| 400 | Solenoid |
| 701 | Core tube |
| *702 | O-ring |
| 703 | Screw piece |
| *704 | Pressure spring |
| *705 | Plunger |
| 706 | Spring clip |
| *707 | O-ring |
| 1400 | Electrical connector (enclosed) |

* A service kit consists of these individual parts.



With solenoid 9101

| Connection size G | L mm | B mm | H mm | H1 mm |
|-------------------|------|------|-------|-------|
| 1/4 | 60 | 44 | 78.5 | 67.0 |
| 3/8 | 60 | 44 | 78.5 | 67.0 |
| 1/2 | 67 | 44 | 81.0 | 67.0 |
| 3/4 | 80 | 50 | 88.0 | 71.5 |
| 1 | 95 | 62 | 97.5 | 77.0 |
| 1 1/4 | 132 | 92 | 124.5 | 95.5 |
| 1 1/2 | 132 | 92 | 124.5 | 95.5 |
| 2 | 160 | 109 | 142.5 | 108.0 |

Service kits

| For valves with solenoid 9101 | Part number |
|-------------------------------|-------------|
| 8273000, 8273100, 8273200 | 1256274 |
| 8273300 | 1256275 |
| 8273400 | 1256276 |
| 8273500, 8273600 | 1259344 |
| 8273700 | 1259367 |
| For valves with solenoid 9151 | Part number |
| 8273500, 8273600 | 1269065 |
| 8273700 | 1269066 |

With solenoid 9151

| Connection size G | L mm | B mm | H mm | H1 mm |
|-------------------|------|------|------|-------|
| 1 1/4 | 132 | 92 | 142 | 113 |
| 1 1/2 | 132 | 92 | 142 | 113 |
| 2 | 160 | 109 | 160 | 125.5 |

Further options (valves)

- Explosion protected version
- Flange connections
- Sealed core tube
- Latching version in DC only
- Low power consumption 2W (only 24VDC)
- With NPT thread

Further options (solenoids)

XXXXXX.9136 Solenoid in protection class $\text{Ex II 2 GD EEx m II T4 T 130 }^{\circ}\text{C}$, with 3 m connection cable

Further options on request

Please turn to page 276 for technical information on our valves.