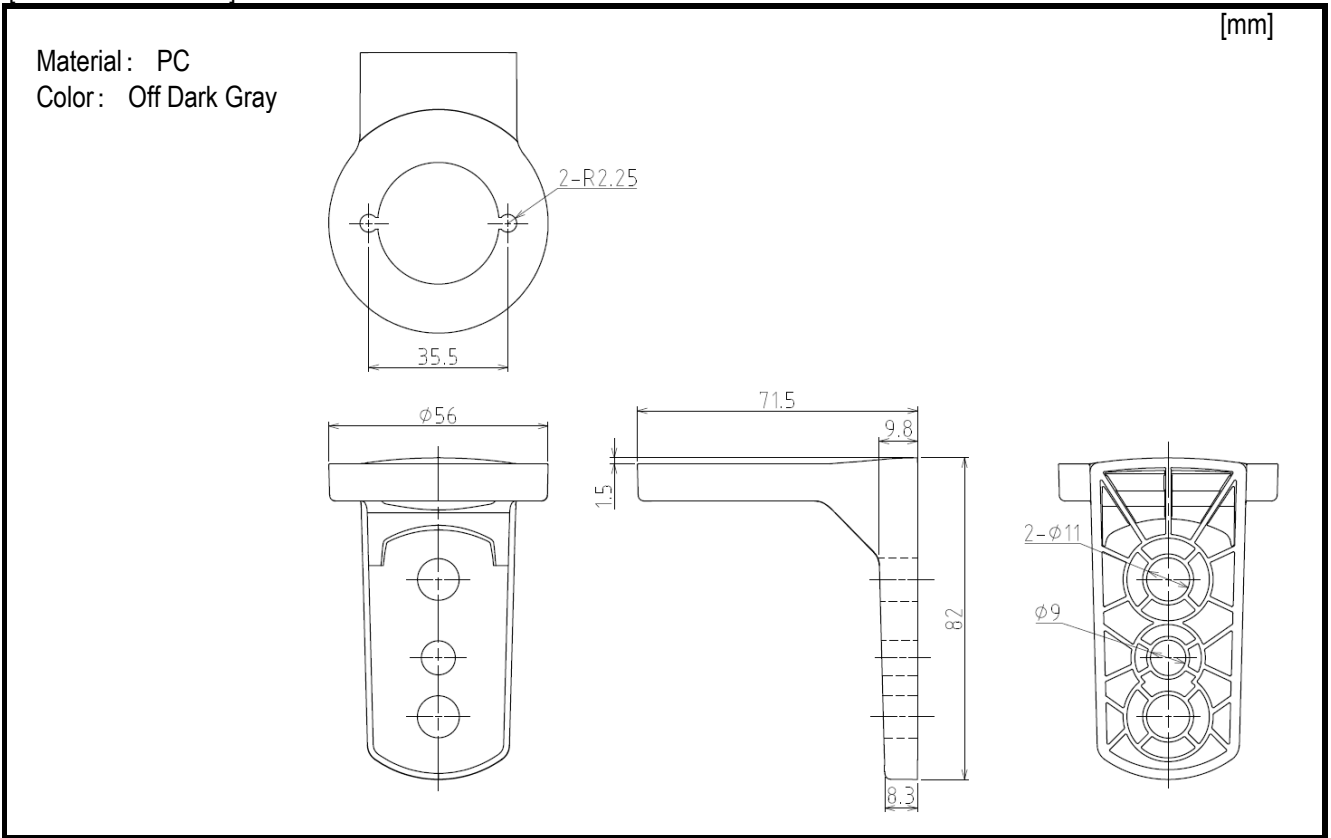


# SPECIFICATIONS

## [1.General Specifications]

Product Name	Wall Mount Bracket
Model	NE-002D
Mounting Location	Indoor
Mounting Direction	Upright
Mass (Tolerance $\pm 10\%$ )	0.034kg
Outer Dimensions	Refer to the [2.Outer Dimensions]
Remarks	There are no contents of controlled substances exceeding the threshold for the RoHS Directive.

## [2.Outer Dimensions]



## [3.Mounting Dimensional Drawing]

