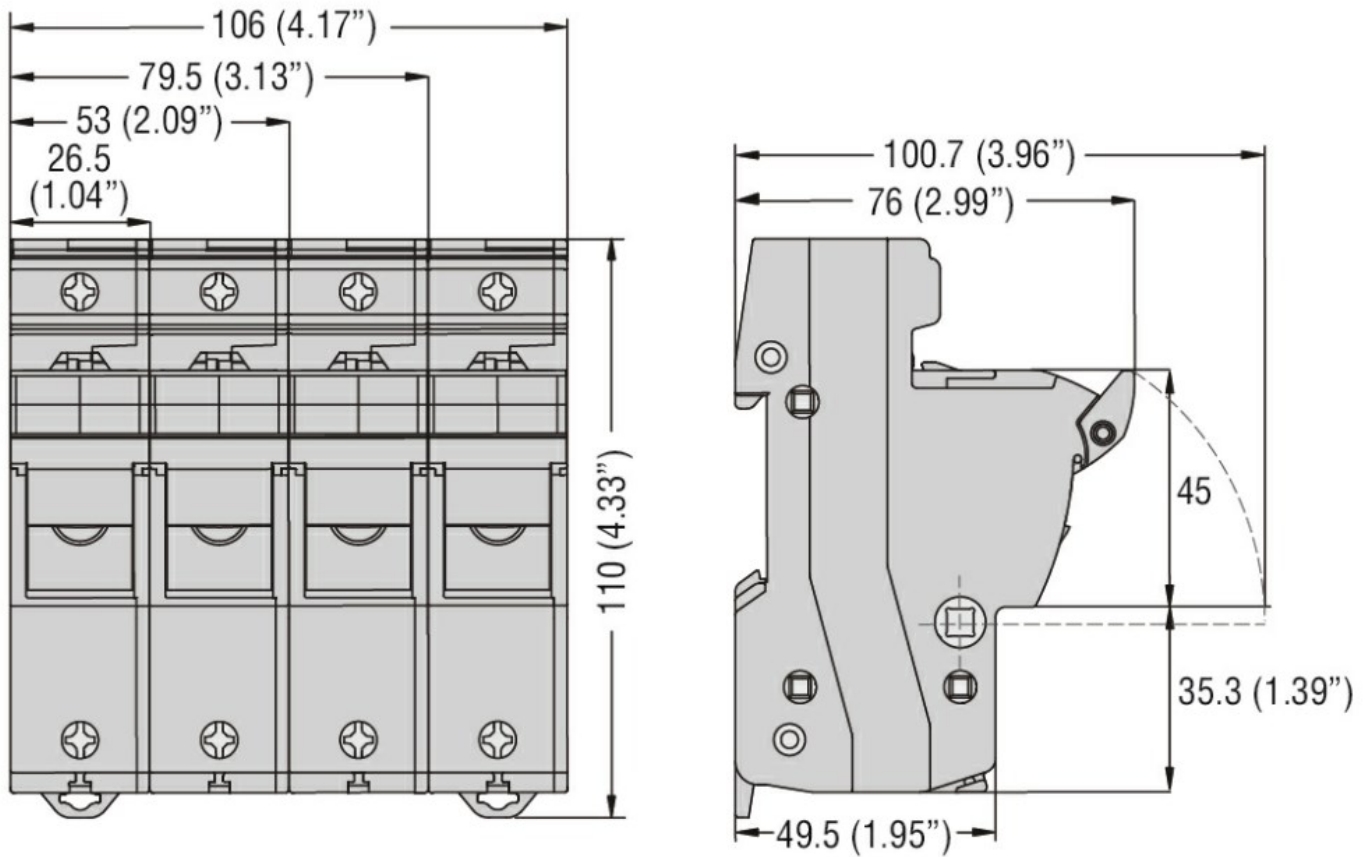


Product designation				Fuse holder
Product type designation				FB
Number of DIN modules				4.5
Operating voltage type				AC
Electrical features				
Rated current (In)	A			50
Rated operational voltage	V			690
IEC Utilization category				AC22B 500V - AC21B 690V
Total power dissipation	W			5
Derating factor of rated current In for different ambient temperature	20°C		1	
	30°C		0.95	
	40°C		0.9	
	50°C		0.8	
	60°C		0.7	
	70°C		0.5	
Derating factor of rated current In for side by side fuse holders (poles)	1-4		1	
	5-6		0.8	
	7-9		0.7	
	≥10		0.6	
Ambient conditions				
Operating temperature	min	°C	-40	
	max	°C	70	
Storage temperature	min	°C	-40	
	max	°C	80	
Max altitude			m	3000
Mechanical features				
Operating position	normal allowable		Vertical plan Any	
			35mm DIN rail	
Mounting				35mm DIN rail
Tightening torque for terminals	max	Nm	4	
	max	lbft	1.8	
Conductor section	- Flexible max (IEC)		mm ²	25
	- Flexible max (AWG)			6
	- Rigid max (IEC)		mm ²	35
	- Rigid max (AWG)			8
Weight			g	335
Frontal IP degree				IP20
Dimensions				



Certifications and compliance

Compliance

CSA C22.2 n°4248.1

IEC/EN 60269-1

IEC/EN 60269-2

IEC/EN 60947-1

IEC/EN 60947-3

UL 4248-1

Certifications

cURus

EAC