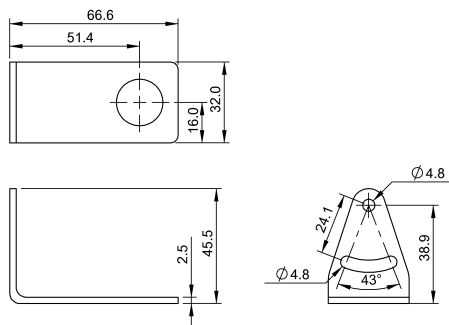


BOS 11-HW-1
Ordering code: BAM00PT

Mechanical Accessories

Mounting bracket, general

BALLUFF
sensors worldwide



Mechanical data

Length 1	32,0 mm
Length 2	66,6 mm
Length 3	45,5 mm
Material	Stainless steel
Version	2 adjustable axes
Mounting type	Screw M3

Basic data

Series	MB-XA
Usage	Use with series 16K

Remarks