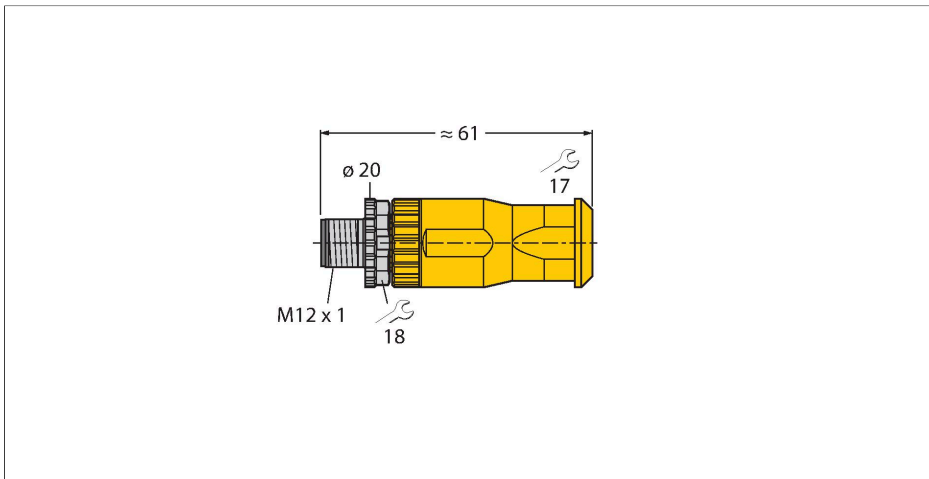


BMS8151-0/PG9/YE

Accessories for Sensors and Actuators – Field-Wireable Connector

Male Connector M12 × 1, Straight



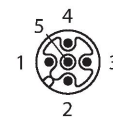
Features

- A-coding
- Yellow housing
- Metal coupling nut
- Cable feedthrough 4.0...8.0 mm
- Terminal capacity 0.25...1.50 mm²
- Protection class IP67
- RoHS-compliant
- Screw-clamp terminal
- A-coding
- 5-pin

Technical data

| | |
|---|-------------------------------------|
| Type | BMS8151-0/PG9/YE |
| ID no. | 6936232 |
| Connector A | Male, M12 × 1, Straight |
| Number of Pins | 5 |
| Contacts | CuZn, Gold-plated |
| Contact carriers | Plastic, PA6, UL 94, Black |
| Connector body | Plastic, PA6 GF, UL 94, Yellow |
| Coupling nut/screw | Die-cast Zinc, GD-Zn, Nickel-plated |
| Seal | Plastic, FPM/FKM |
| Screw-in thread seal | plastic, FPM/FKM |
| External diameter of the cable | min. 4...8 mm |
| Core cross-section/Clamping ability | 0.25...1.5 mm ² |
| Connection mode | Screw/clamp connection |
| Mechanical lifespan | > 100 Mating cycles |
| Type of protection | IP67, (screwed together) |
| Shielding | no |
| Electrical properties at +20 °C | |
| Rated voltage | 60 V |
| Current | 7.5 A |
| Insulation resistance | ≥ 10 ⁸ Ω |
| Mechanical and chemical properties | |
| Ambient temperature range (stationary) | -30 °C...+85 °C |

Contact assignment



Pin Assignment