

Process displays

For standard signals

With 2 limits

PA220



PA220 - Process display

Technical data - electrical ratings

Voltage supply	21...53 VAC (50/60 Hz) or 10.5...70 VDC 85...265 VAC (50/60 Hz) or 100...300 VDC
Power consumption	6 VA, 5 W
Sensor supply	24 VDC \pm 25 % / max. 30 mA
Display	LED, 7-segment display (programmable display intensity in 4 levels, with 60 unit stickers for front)
Number of digits	4-digits
Digit height	10 mm
Display range	-1999...9999 ("OuE" to signal overflow)
Display refresh	200 ms
Function	Digital display of 1 analog measured value With Min/Max memory and tare function
A/D transformer	Principle $\Sigma\Delta$ Resolution 16 bit Measuring rate 25/s Measuring accuracy \pm (0.1 % +3-digit) Temp. coeffic. 100 ppm/ $^{\circ}$ C
Analog input	Current or voltage input
Programmable parameters	Measuring range Display range can be linearised Decimal point Display intensity Display stabilization filter Relay outputs with time delay or hysteresis
Data memory	>10 years in EEPROM
Outputs relay	Normally open or closed, programmable SET 1, SET 2
Interface	RS485

Features

- Current / voltage input \pm 20 mA, \pm 10 V, \pm 60 VDC
- Voltage input \pm 100 mVDC for measurements by
external current shunt (precision resistor)
- Programmable characteristic curve with 16 control
points
- Display stabilization filter
- Two limit outputs SET 1 / SET 2
- Min, Max, Tare functions
- Sensor supply
- Interface RS485
- LED display, 4 digits and programmable
- DIN housing 48 x 24 mm

Technical data - electrical ratings

Standard	Protection class II
DIN EN 61010-1	Overvoltage category II Pollution degree 2
Emitted interference	DIN EN 61000-6-3
Interference immunity	DIN EN 61000-6-2

Technical data - mechanical design

Ambient temperature	-10...+60 $^{\circ}$ C
Storing temperature	-25...+85 $^{\circ}$ C
Relative humidity	95 % non-condensing
Connection	Spring-loaded terminal connector, detachable
Core cross-section	1 mm ² (Grid 2.54) 2.5 mm ² (Grid 7.62)
Protection DIN EN 60529	IP 65 (face)
Operation / keypad	3 softkeys below bezel
Housing type	Built-in housing
Dimensions W x H x L	48 x 24 x 136 mm
Cutout dimensions	45 x 22.2 mm (+0.3)
Installation depth	125 mm
Mounting	Front panel installation by clip frame
Weight approx.	100 g
Material	Housing: Polycarbonate, UL 94V-0

Process displays

For standard signals

With 2 limits

PA220

Part number

PA220. 1 AX01

Voltage supply

- 4 85...265 VAC and 100...300 VDC
- 5 21...53 VAC and 10.5...70 VDC

Interface

- 0 Without interface
- 1 RS485

Inputs and outputs

Analog input

Sensing range	Resolution	Input resistance
±10 V	1 mV	1 MΩ
±60 V	10 mV	1 MΩ
±100 mV	0.1 mV	100 MΩ
±20 mA	1 μA	12 Ω

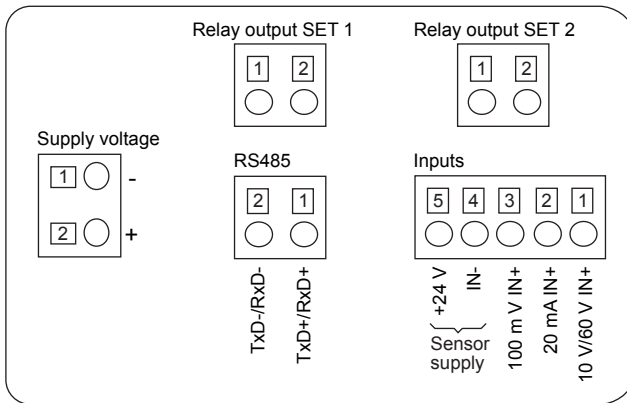
Relay outputs (SET 1, SET 2)

Switching voltage max. 250 VAC / 110 VDC

Switching current max. 1 A

Switching performance max. 150 VA / 30 W

Connection diagram



Dimensions

PA220 - without clip frame



PA220 - clip frame mounting

