

# Accessories

## Adapter front bezel

## Details

### Dimensions / Details

#### Adapter front bezel, 60 x 75 mm [2.36 x 2.95"]

with screw mounting  
for counters 48 x 48 mm [1.89 x 1.89"]

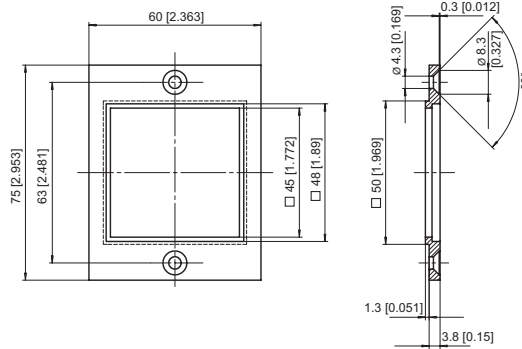


#### cut-out:

for cut-out 50 x 50 mm [1.97 x 1.97"]  
to cut-out 45 x 45 mm [1.77 x 1.77"]

#### suitable for:

901, Codix 716 / 717, black  
Codix 923 / 924, Codix 907 / 908,  
H 57, HC 77, HW 66, HW 66 M



#### Order-No.

**T008860**

#### Adapter front bezel, 72 x 72 mm [2.83 x 2.83"]

with clip mounting  
for counters 48 x 48 mm [1.89 x 1.89"]  
(Mating clip must be ordered separately)

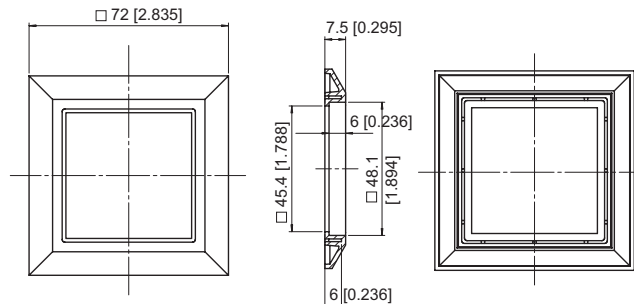


#### cut-out:

for cut-out 68 x 68 mm [2.68 x 2.68"]  
to cut-out 45 x 45 mm [1.77 x 1.77"]

#### suitable for:

901, Codix 716 / 717, grey  
Codix 923 / 924, Codix 907 / 908, black  
H 57, HC 77, HW 66, HW 66 M mating clip



#### Order-No.

**T008176**

**T008177**

**T009420**

#### Adapter front bezel, Ø 72 mm [2.83"]

with clip mounting  
for counters 48 x 48 mm [1.89 x 1.89"]

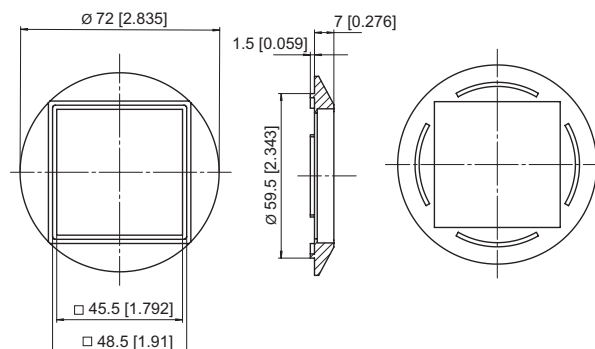


#### cut-out:

for cut-out Ø 60 mm [2.36"]  
to cut-out 45 x 45 mm [1.77 x 1.77"]

#### suitable for:

901, Codix 716 / 717, black  
Codix 923 / 924, Codix 907 / 908,  
H 57, HC 77, HW 66, HW 66 M



#### Order-No.

**N510226**