

PSEN mag/cs bracket straight

PILZ
THE SPIRIT OF SAFETY

► PSEN sensor technology

This document is a translation of the original document.

All rights to this documentation are reserved by Pilz GmbH & Co. KG. Copies may be made for internal purposes. Suggestions and comments for improving this documentation will be gratefully received.

Source code from third-party manufacturers or open source software has been used for some components. The relevant licence information is available on the Internet on the Pilz homepage.

Pilz®, PIT®, PMI®, PNOZ®, Primo®, PSEN®, PSS®, PVIS®, SafetyBUS p®, SafetyEYE®, SafetyNET p®, the spirit of safety® are registered and protected trademarks of Pilz GmbH & Co. KG in some countries.



SD means Secure Digital

Description

The mounting plate PSEN mag/cs bracket straight is used to attach a safety switch or actuator to a strut profile.

The mounting plate can be used with the following products:

- ▶ Sensors (safety switch and actuator):
 - PSEN 1.1a, PSEN 1.1a/b, PSEN 1.1b, PSEN 1.1p
 - PSEN 2.1a, PSEN 2.1a/b, PSEN 2.1b, PSEN 2.1p
 - PSEN cs3.1a/b, PSEN cs3.1n, PSEN cs3.1p/M12, PSEN cs3.19n
 - PSEN cs4.1a/b, PSEN cs4.1n, PSEN cs4.1p/M12, PSEN 4.1 M12/8-1.5m
 - PSEN cs4.2a, PSEN cs4.2n, PSEN cs4.2p/M12
 - PSEN cs5.1n, PSEN cs5.1p, PSEN cs5.1 M12/8, PSEN cs5.11 M12/8, PSEN cs5.13 M12/8 EX
 - PSEN cs6.1n, PSEN cs6.1p, PSEN cs6.1 M12/8, PSEN cs6.11 M12/8
 - PSEN cs6.2n, PSEN cs6.2p, PSEN cs6.2 M12/8, PSEN cs6.21 M12/8
 - PSEN ma1.4, PSEN ma1.4a, PSEN ma1.4n, PSEN ma1.4p
- ▶ Strut profiles: 30 mm/40 mm/45 mm/50 mm/60 mm width

Installation

Attachment to strut profile

First of all attach the mounting plate to the strut profile using the corresponding fixing screws and slot nuts. Use the holes that match the strut profile (see diagram).



INFORMATION

For each mounting plate you will need

- 2x hexagon socket countersunk screws, shaftless, M4x12-8.8 in accordance with ISO 10642,
- 2x slot nuts M4, matching the strut profile.

These are **not** supplied with the unit.

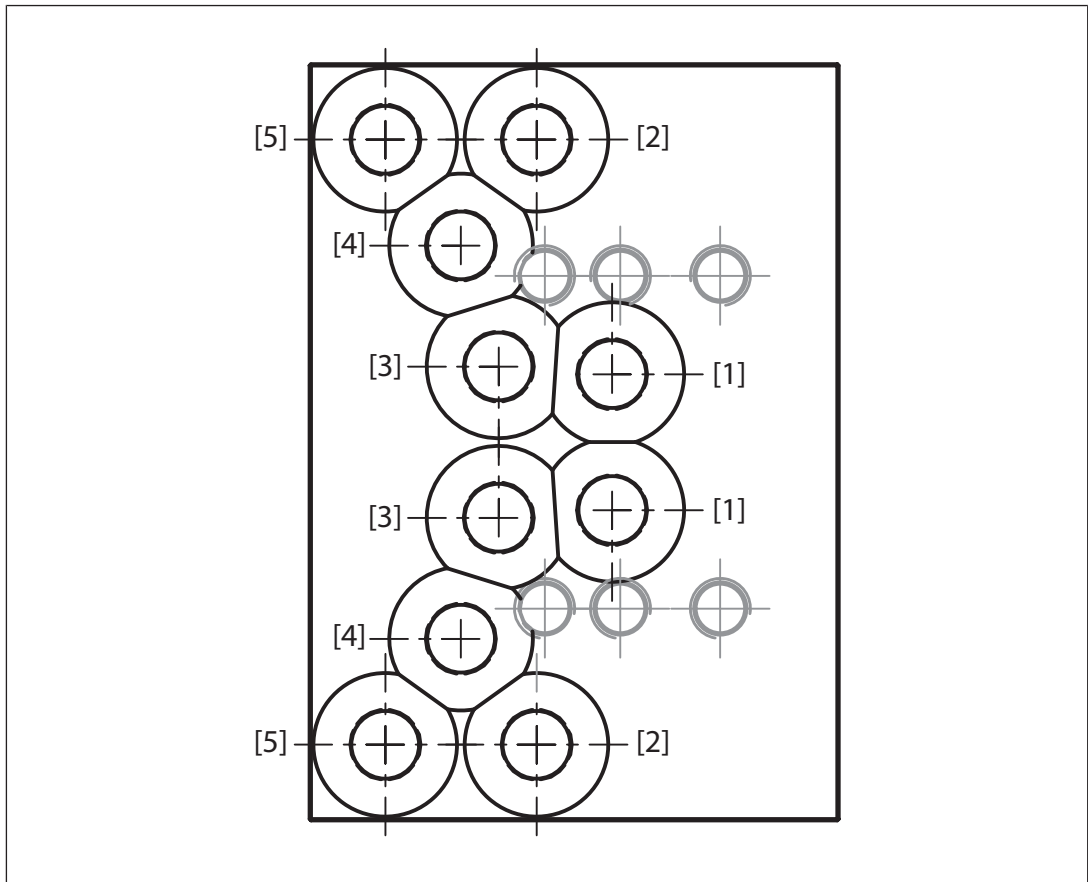


Fig.: Holes for strut profile

Legende

- [1] Strut profile, 30 mm width
- [2] Strut profile, 40 mm width
- [3] Strut profile, 45 mm width
- [4] Strut profile, 50 mm width
- [5] Strut profile, 60 mm width

Sensor attachment

After you have fitted the mounting plate to the strut profile, attach the safety switch or actuator to the tapped holes on the mounting plate using the corresponding safety screws.

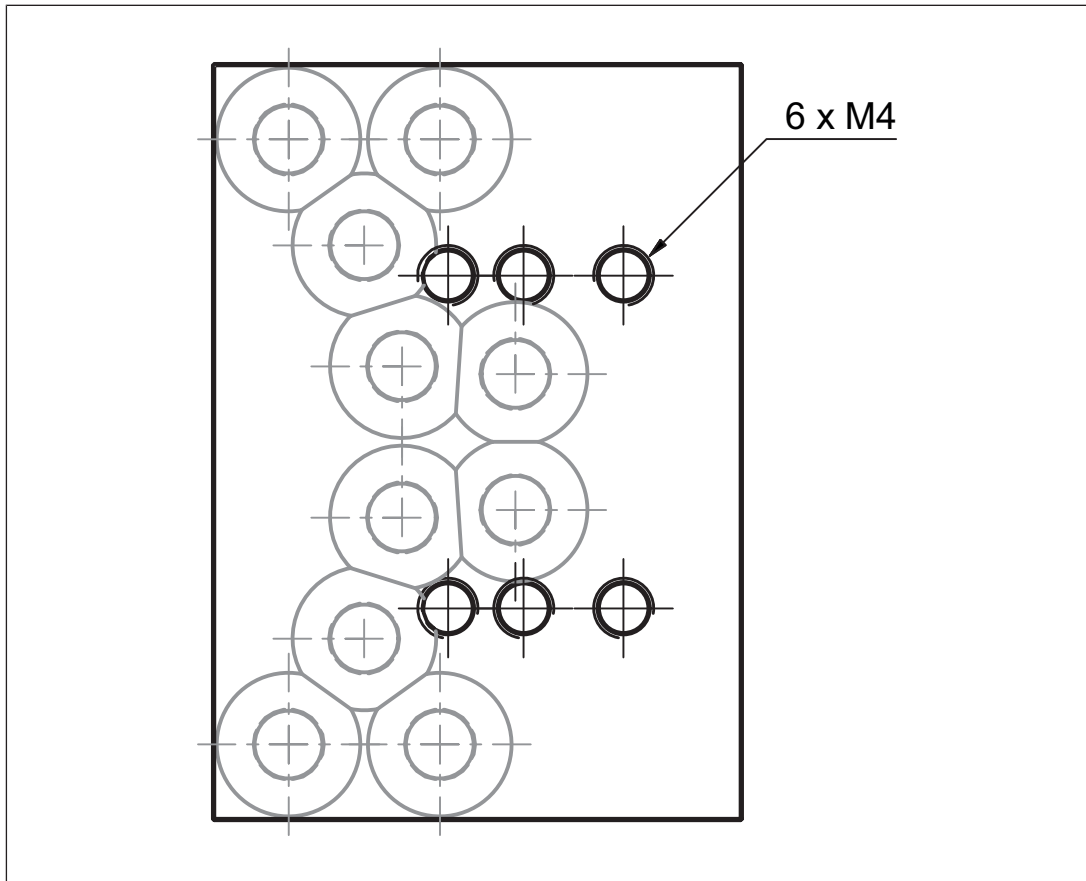


Fig.: Tapped holes for sensor

Assignment of safety screws:

- ▶ Hexagon socket cylinder head screws, shaftless, M4x16-8.8 in accordance with ISO 4762
 - PSEN cs3.1a/b, PSEN cs3.1n, PSEN cs3.1p/M12, PSEN cs3.19n
 - PSEN cs4.1a/b, PSEN cs4.1n, PSEN cs4.1p/M12, PSEN 4.1 M12/8-1.5m
 - PSEN cs4.2a, PSEN cs4.2n, PSEN cs4.2p/M12
 - PSEN cs5.1 M12/8, PSEN cs5.11 M12/8, PSEN cs5.13 M12/8 EX
 - PSEN cs6.1 M12/8, PSEN cs6.11 M12/8
 - PSEN cs6.2 M12/8, PSEN cs6.21 M12/8
 - Safety switch only: PSEN ma1.4, PSEN ma1.4a, PSEN ma1.4n, PSEN ma1.4p
- ▶ Hexagon socket cylinder head screws, shaftless, M4x10-8.8 in accordance with ISO 4762
 - PSEN 1.1a, PSEN 1.1a/b, PSEN 1.1b, PSEN 1.1p
 - PSEN 2.1a, PSEN 2.1a/b, PSEN 2.1b, PSEN 2.1p
 - PSEN cs5.1n, PSEN cs5.1p

- PSEN cs6.1n, PSEN cs6.1p
- PSEN cs6.2n, PSEN cs6.2p
- ▶ Hexagon socket cylinder head screws, shaftless, M4x6-8.8 in accordance with ISO 4762
 - Actuator only: PSEN ma1.4, PSEN ma1.4a, PSEN ma1.4n, PSEN ma1.4p

**INFORMATION**

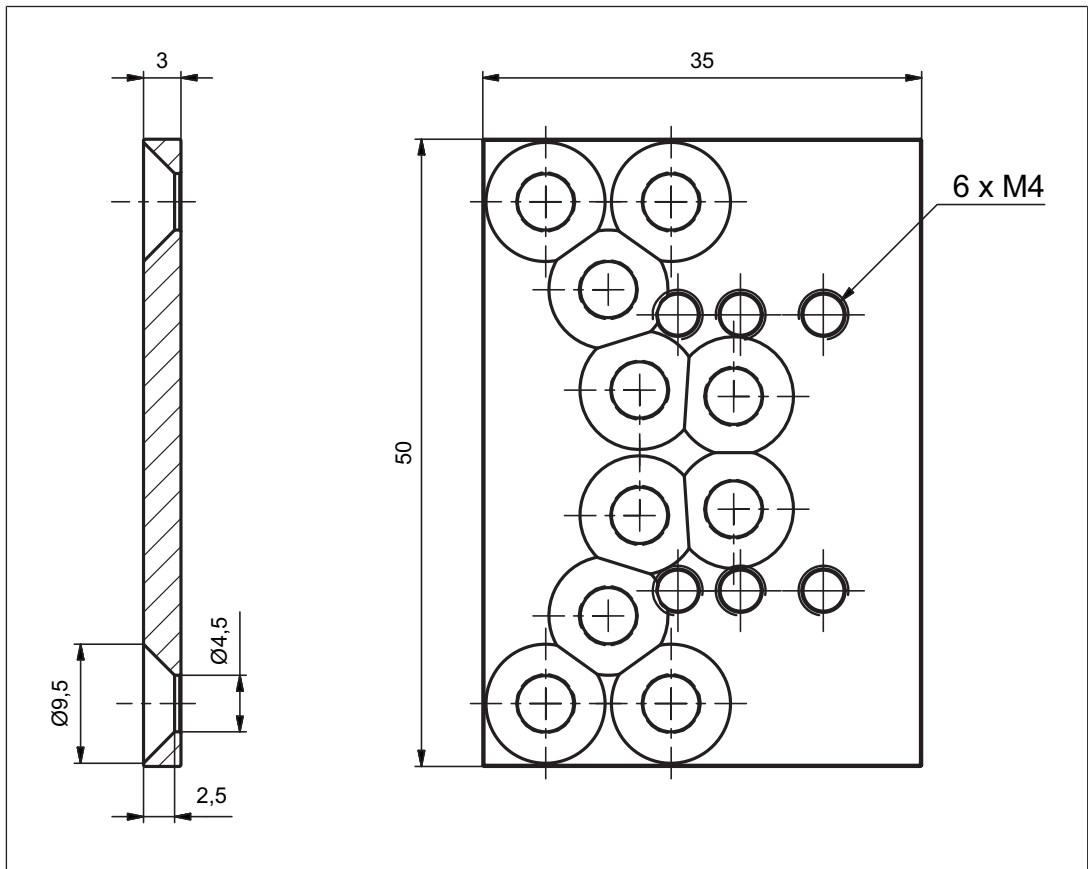
- You must read the information in the chapter entitled "Assembly" in the operating manual of the relevant sensor.
- The safety screws are **not** supplied with the unit.

Technical details

General	
Approvals	-
Mechanical data	
Material	Stainless steel
Dimensions	
Height	50 mm
Width	35 mm
Depth	3 mm
Weight	31 g

Where standards are undated, the 2015-11 latest editions shall apply.

Dimensions in mm



Order reference

Product type	Features	Order No.
PSEN mag/cs bracket straight	Mounting plate for strut profile (2x)	532 111

► Support

Technical support is available from Pilz round the clock.

Americas

Brazil
+55 11 97569-2804

Canada
+1 888-315-PILZ (315-7459)

Mexico
+52 55 5572 1300

USA (toll-free)
+1 877-PILZUSA (745-9872)

Asia

China
+86 21 60880878-216

Japan
+81 45 471-2281

South Korea
+82 31 450 0680

Australia

+61 3 95446300

Europe

Austria
+43 1 7986263-0

Belgium, Luxembourg
+32 9 3217575

France
+33 3 88104000

Germany
+49 711 3409-444

Ireland
+353 21 4804983

Italy
+39 0362 1826711

Scandinavia

+45 74436332

Spain

+34 938497433

Switzerland

+41 62 88979-30

The Netherlands

+31 347 320477

Turkey

+90 216 5775552

United Kingdom

+44 1536 462203

You can reach our international hotline on:

+49 711 3409-444
support@pilz.com

Pilz develops environmentally-friendly products using ecological materials and energy-saving technologies. Offices and production facilities are ecologically designed, environmentally-aware and energy-saving. So Pilz offers sustainability, plus the security of using energy-efficient products and environmentally-friendly solutions.

Energy saving by Pilz



Pilz GmbH & Co. KG
Felix-Wankel-Straße 2
73760 Ostfildern, Germany
Tel.: +49 711 3409-0
Fax: +49 711 3409-133
info@pilz.com
www.pilz.com

PILZ
THE SPIRIT OF SAFETY