

## Datasheet - AZM 161-B1-2177 WITH CENTERING GUIDE



# SCHMERSAL

Solenoid interlock / AZM 161 / Actuator

Preferred typ



(Minor differences between the printed image and the original product may exist!)

### Ordering details

Product type description	AZM 161-B1-2177 MIT ZENTRIERHILFE
Article number	101176642
EAN code	4030661307169
eCl@ss	27-27-92-16

### Global Properties

Product name	Gerader Betätiger B1-2177 mit Zentrierhilfe
Weight	25 g

### Mechanical data

Design of actuators	straight, rigid
Minimum actuating radius	150 mm

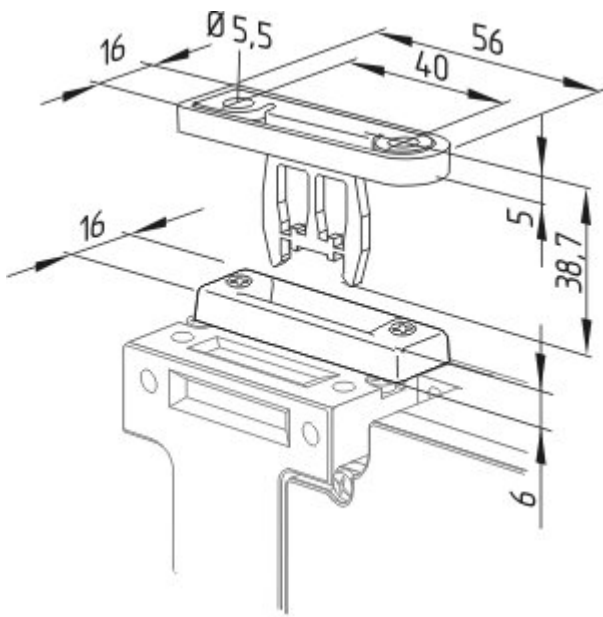
### notice

On hinged guards, minimum actuating radius at 90° to the plane of the actuator 180 mm  
minimum actuating radius on hinged guards in line with the plane of the actuator 150 mm

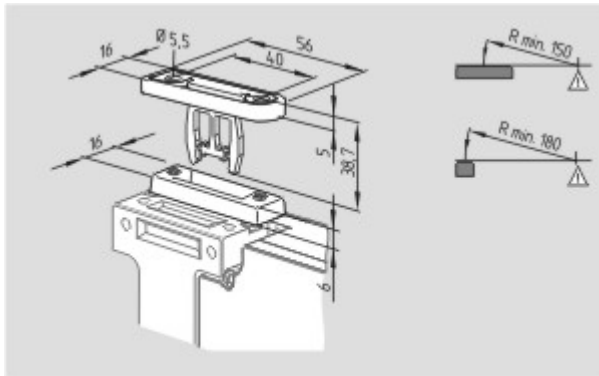
### Documents

**Mounting and wiring instructions** (de, en, fr, it, es, jp) 203 kB, 08.07.2008

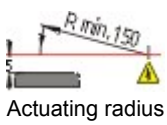
Images



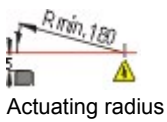
Dimensional drawing (miscellaneous)



Dimensional drawing (miscellaneous)



Actuating radius



Actuating radius