

YESLY Accessories



Gateway

With Finder YESLY GATEWAY you can control your YESLY system remotely, wherever you are in the world.

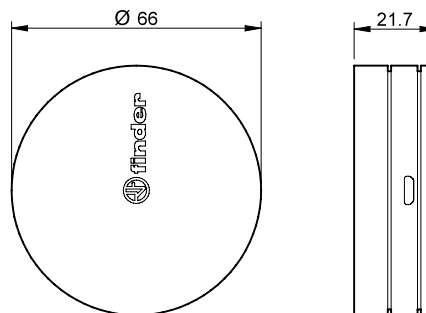
No more forgotten lights left on or roller blinds left open. It is always possible, any time and anywhere, to check their status and make changes if necessary.

Moreover, through GATEWAY it is even possible to manage your system through voice commands using the GOOGLE Assistant or AMAZON ALEXA.

GATEWAY connects via the 2.4GHz WiFi network of the home router.

However, if your wireless connection goes down the YESLY system will continue to work with Bluetooth.

1Y.GU.005



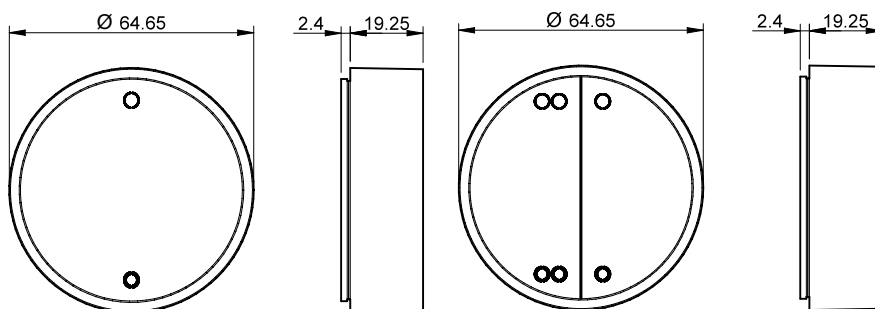
Type	
Gateway Yesly	1Y.GU.005
Technical data	
Power source	5 V – 1 A min
Operating frequency	WiFi 2.4 GHz / Bluetooth 4.2 BLE
Ambient temperature range	°C –10...+50
Transmission range	Approximately 10 m in free space and without obstacles. The transmission range may vary depending on the building structure.
Approvals (according to type)	CE

BEYON - Wireless pushbutton

Finder's BEYON is an innovative remote control for your YESLY comfort living system.

- The clean design of the BEYON blends well with all styles of furnishings with a result that is discreet and elegant.
- BEYON can be paired, via the Finder Toolbox App, with other YESLY devices such as actuators and dimmers to turn on/off or dim lighting, or to control electric shutters and blinds.
- BEYON can also be configured to activate SCENARIOS as well as control many other devices of your choosing.
- Your BEYON works without batteries and without any need for recharging.
- Available with two or four channels.

1Y.13.Bxx



Types	
BEYON – Wireless pushbutton, 2 channels, white	1Y.13.B10
BEYON – Wireless pushbutton, 2 channels, black	1Y.13.B12
BEYON – Wireless pushbutton, 4 channels, white	1Y.13.B20
BEYON – Wireless pushbuttons, 4 channels, black	1Y.13.B22
Technical data	
Power source	Integral self powered generator
Operating frequency	2.4 GHz Bluetooth 4.2 BLE
Operating cycles	cycles 50 000
Ambient temperature range	°C -25...+65
Transmission range	Approximately 10 m in free space and without obstacles. The transmission range may vary depending on the building structure.
Color	White - Black
Dimensions	mm 64.6 Ø x 24.6
Approvals (according to type)	CE FCC IC

BEYON pushbuttons are supplied with a magnetic disc and an adhesive pad, so it is possible to attach them to most surfaces: metal, wood, glass - so you can always have it right where you need it. The silicone covers protect the BEYON from falls and provide an incredibly simple color coding, in order to associate buttons to rooms or functions.

BEYON is available in WHITE or BLACK, whereas cover colours are FINDER BLUE, NIGHT GREY and GLACIER WHITE.



Wall-mounting pushbutton 013.B9

013.B9 wireless pushbutton is an innovative remote control for your YESLY comfort living system.

- The pushbutton can be paired, via the Finder Toolbox App, with other YESLY devices such as actuators and dimmers to turn on/off or dim lighting, or to control electric shutters and blinds.
- The pushbutton can also be configured to activate SCENARIOS as well as control many other devices of your choosing.
- The device works without batteries and without any need for recharging.
- Configurable as two or four channels.
- The design is more classical and essential endowing the YESLY system with a more complete stylistic range.

013.B9



Type

013.B9 pushbutton can be set in 2 or 4 channel mode.

013.B9

Technical data

Source of energy	Integral self powered generator
Operating frequency	2.4 GHz Bluetooth 4.2 BLE
Operating cycles	cycles 50 000
Ambient temperature range	°C -25...+65
Transmission range	Approximately 10 m in free space and without obstacles. The transmission range may vary depending on the building structure.
Color	White
Dimensions	mm 82 x 82 x 14
Approvals (according to type)	CE FCC IC

013.B9 pushbuttons are supplied with a magnetic disc and an adhesive pad, so it is possible to attach it to most surfaces: metal, wood, glass - and therefore installation can be accomplished without any structural work.

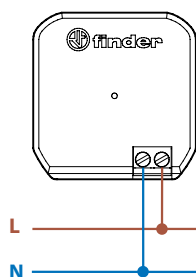
The **013.B9** button is provided with the adapters for two or four channel configuration.

Range extender

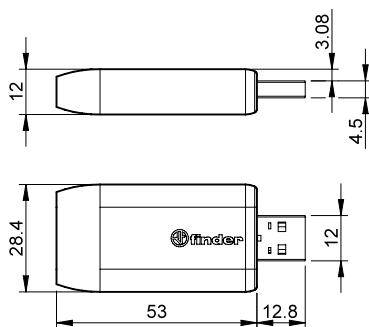
The range extender extends the effective transmission range of the Wireless pushbuttons and other YESLY devices if the Smartphone cannot communicate directly because of distance.

The range extender is a plug-n-play device, and does not require configuring.

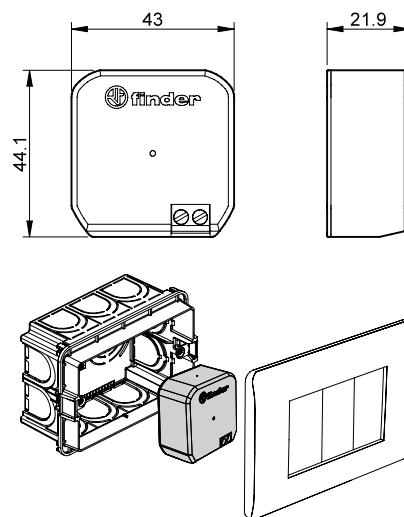
Wiring diagram
Type 1Y.E8.230



1Y.EU.005

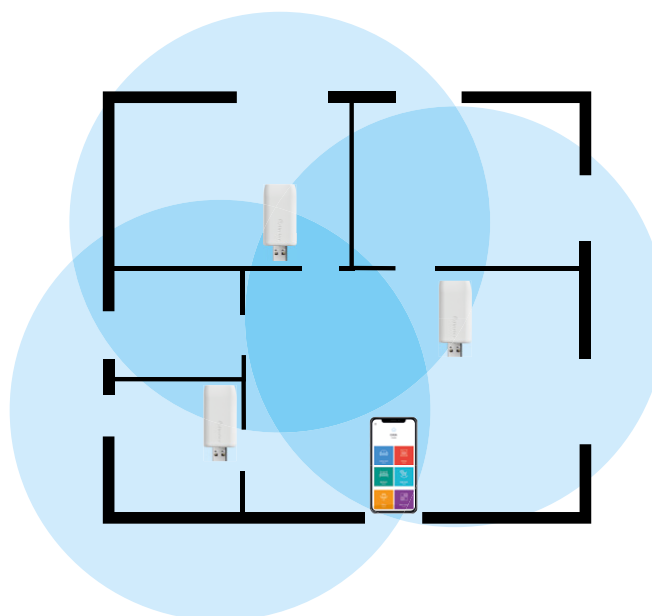
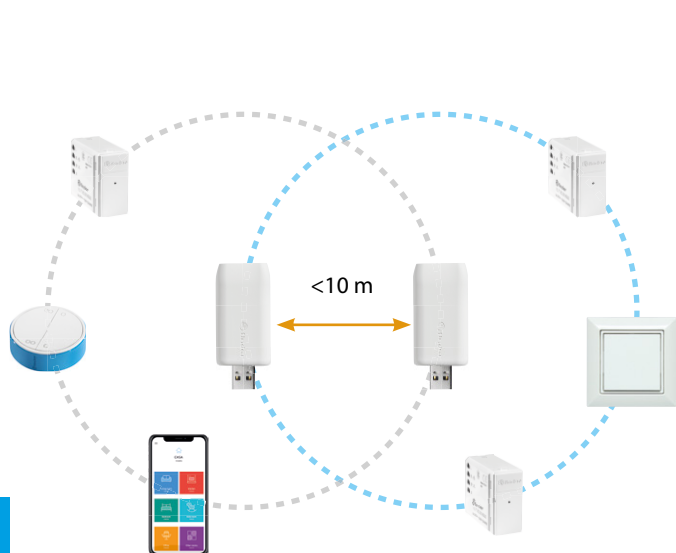


1Y.E8.230



Types		
USB range extender	1Y.EU.005	
Range extender 110...230 V AC	1Y.E8.230	
Technical data		
Power supply	1Y.EU.005 USB connector 5V – 0.5 A min	1Y.E8.230 110...230 V AC (50/60Hz)
Operating frequency	2.4 GHz	
Ambient temperature range	°C –10...+50	
Transmission range	Approximately 10 m in free space and without obstacles. The transmission range may vary depending on the building structure.	
Approvals (according to type)	CE FCC IC	

The range extenders must be installed within a maximum distance of 10 meters, and up to 4 devices can be used in the same system. It can be installed in any USB input that provides a power supply of at least 5V and 0.5A.



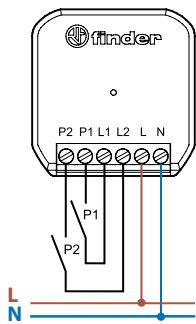
2-Input YESLY interface unit

The 2-input 1Y.P2 interface has been developed to accept volt-free contacts or phase voltage (L) signals as inputs, and to integrate them into a YESLY system.

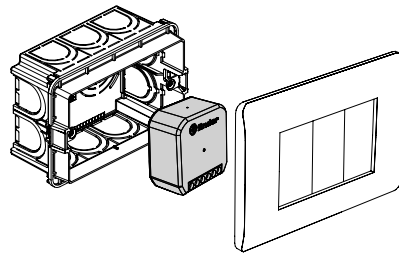
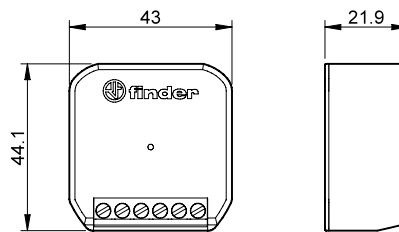
It is therefore possible to control YESLY devices for lighting or roller blind control by choosing to use traditional push buttons or voltage signals.

- 2 input channels (P1 and P2)
- Suitable for controlling YESLY devices with traditional pushbuttons or switches, for example by integrating into an existing residential lighting system or with PLC outputs or relay contacts etc..
- Programming via Smartphone with Finder Toolbox Plus
- Compatible with illuminated pushbuttons [max 5 (≤1 mA) buttons]
- Transmission range: 10 meters in free space and without obstacles.

Wiring diagram



1Y.P2.8.230.B000



Type	2-Input YESLY interface unit	1Y.P2.8.230.B000
Technical data		
Power supply		110...230 V AC
Operating frequency		2.4 GHz
Ambient temperature range	°C	-10...+50
Transmission range	Approximately 10 m in free space and without obstacles. The transmission range may vary depending on the building structure.	
Approvals (according to type)	CE	

