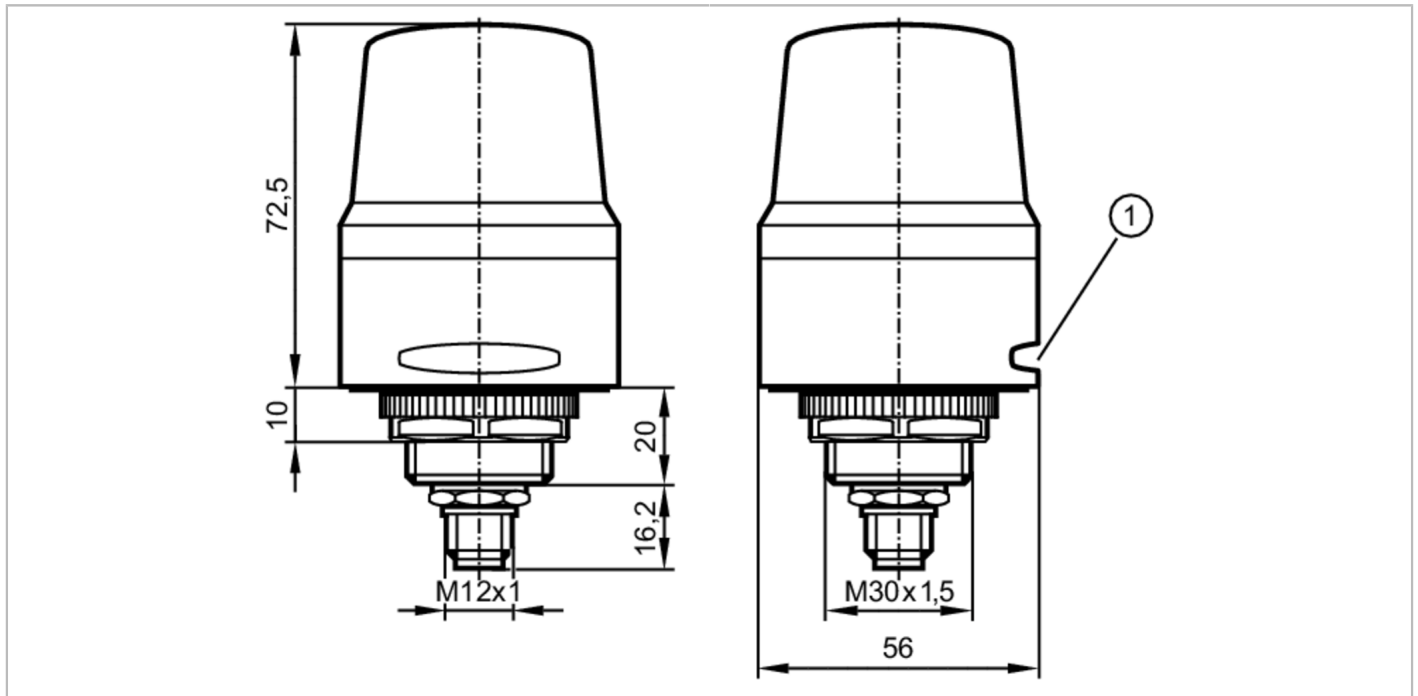


DV2130



1-segment signal lamp

LED-Lamp/IO-Link/Buzzer



Application		
Application	signalling machine conditions	
Electrical data		
Operating voltage [V]	18...30 DC; (to SELV/PELV "supply class 2" to cURus)	
Nominal voltage DC [V]	24	
Current consumption [mA]	< 90	
Interfaces		
Communication interface	IO-Link	
Transmission type	COM2 (38,4 kBaud)	
IO-Link revision	1.1	
SDCI standard	IEC 61131-9	
SIO mode	yes	
Required master port type	A	
Min. process cycle time [ms]	2.3	
Supported DeviceIDs	Type of operation	DeviceID
	Default	1085
Operating conditions		
Ambient temperature [°C]	-25...50	
Storage temperature [°C]	-40...75	
Max. relative air humidity [%]	90	
Max. height above sea level [m]	4000	
Protection	IP 65	
Degree of soiling	2	

DV2130



1-segment signal lamp

LED-Lamp/IO-Link/Buzzer

Mechanical data	
Weight [g]	166.5
Dimensions [mm]	Ø 56 / L = 72.5
Materials	housing: PC
Displays / operating elements	
Display	LED segment, red / green / yellow / blue / lilac / cyan / white
Acoustic signal	buzzer
Max. sound pressure [dB]	90
Accessories	
Accessories (optional)	mounting base, E89060
	wall bracket, E89061
	Mounting adapter, E89063
	bracket with lateral cable entry, E89064
	mounting tube, E89065
	mounting tube, E89066
	mounting tube, E89067
	mounting base, E89080
Remarks	
Remarks	For further information please see the operating instructions.
Pack quantity	1 pcs.
Electrical connection - plug	
Connector: M12	
IO-Link	
1	UB+
2	not used
3	UB-
4	IO-Link
5	not used
standard mode	
1	IN1 red
2	IN2 green
3	GND
4	buzzer
5	IN3 blue

DV2130

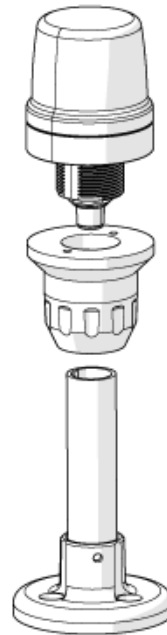


1-segment signal lamp

LED-Lamp/IO-Link/Buzzer

Diagrams and graphs

base mounting



wall mounting

