

Datasheet - AZ/AZM 200-B30-LTAG1P1

Solenoid interlock / AZM 200 / Actuator / AZ/AZM 200-B30



Preferred typ



(Minor differences between the printed image and the original product may exist!)

- One-hand emergency exit, even in de-energised condition
- Actuator for hinged guards
- Easy and intuitive operation
- With door detection sensor T
- No risk of injury from protruding actuator
- No supplementary door handles required
- Does not protrude into the door opening
- Various handles available

Ordering details

Product type description	AZ/AZM 200-B30-LTAG1P1
Article number	101178668
EAN code	4030661312705
eCl@ss	27-27-06-05

Approval

Approval	
notice	Certification in combination with the AZ/AZM 200

Global Properties

Product name	AZ/AZM 200-B30
Materials	
- Material of the housings	Plastic, glass-fibre reinforced thermoplastic self-extinguishing
- Material of the actuator	zinc die-cast
- Material of the operators	Aluminium, plastic coating
- Emergency exit material	Metal film, plastic-coated
Weight	330 g
Door detection sensor (Y/N)	Yes

Mechanical data

Mechanical life	≥ 1.000.000 operations
Emergency unlocking device (Y/N)	Yes
Grip	handle/handle
Clamping force F_{max}	2000 N
Actuator mounted	outside
Door hinge	left

Dimensions

Dimensions of the actuators

- Width of the actuator	115 mm
- Height of the actuator	115 mm
- Length of the actuator	60 mm

Emergency exit dimensions

- Width of the emergency exit	115 mm
- Height of the emergency exit	115 mm
- Length of the emergency exit	60 mm

Included in delivery

The safety switch / solenoid interlock and the actuator unit must be ordered separately.

Keywords

Search keys Lockout tag; SZ 200

Ordering code

AZ/AZM 200-B30-(1)TA(2)(3)-(4)

(1)

L Door hinge on left-hand side

R Door hinge on right-hand side

(2)

A for Mounting outside

I for Mounting inside

(3)

G1 with handle

G2 with Rotating knob

(3)

P1 with Emergency exit

P20 with Emergency exit Metal film

P25 with Emergency exit Inset handle

P30/P31 with Locking rod (*Only for Mounting outside possible*)

(4)

without without Lockout tag

SZ with Lockout tag (*Only for Mounting outside possible*)

Documents

Operating instructions and Declaration of conformity (it) 999 kB, 20.11.2014

Code: mrl_az-azm200-b30_mit_innenanbau_it

Operating instructions and Declaration of conformity (de) 982 kB, 20.11.2014

Code: mrl_az-azm200-b30_mit_innenanbau_de

Operating instructions and Declaration of conformity (fr) 993 kB, 03.12.2014

Code: mrl_az-azm200-b30_mit_innenanbau_fr

Operating instructions and Declaration of conformity (pl) 1 MB, 20.11.2014

Code: mrl_az-azm200-b30_mit_innenanbau_pl

Operating instructions and Declaration of conformity (es) 982 kB, 20.11.2014

Code: mrl_az-azm200-b30_mit_innenanbau_es

Operating instructions and Declaration of conformity (en) 979 kB, 20.11.2014

Code: mrl_az-azm200-b30_mit_innenanbau_en

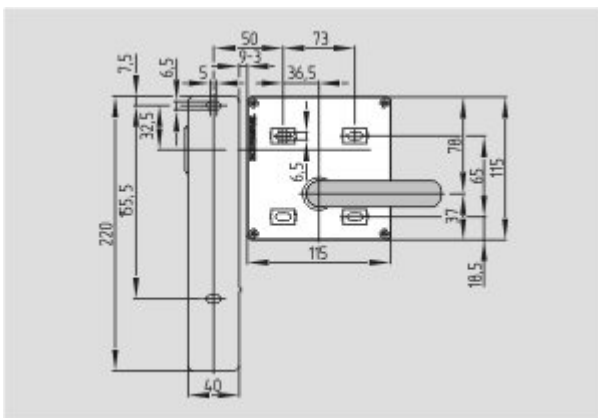
Operating instructions and Declaration of conformity (nl) 978 kB, 20.11.2014

Code: mrl_az-azm200-b30_mit_innenanbau_nl

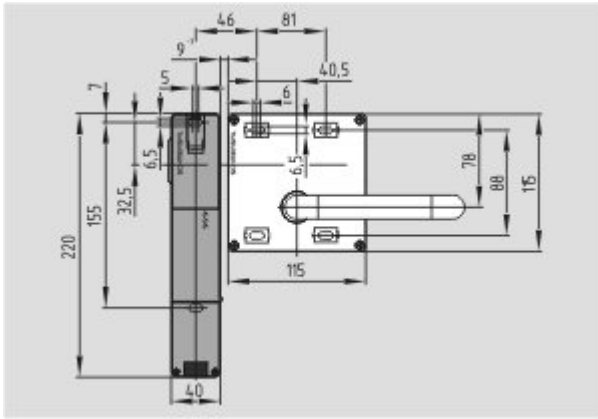
Images



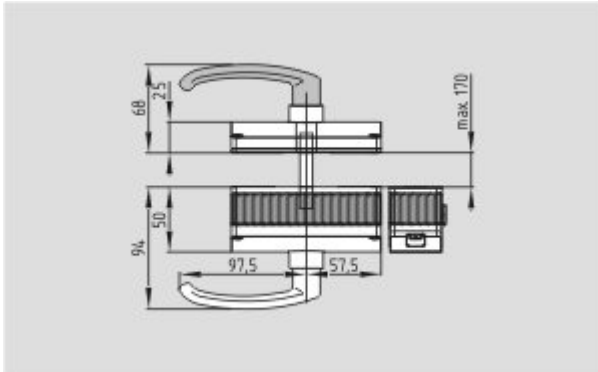
Product photo



Dimensional drawing (basic component)



Dimensional drawing (basic component)



Dimensional drawing (miscellaneous)



Product in the environment

System components

Product



AZ 200

- Screw connection
- thermoplastic enclosure
- Max. length of the sensor chain 200 m
- Self-monitoring series-wiring of 31 sensors
- 3 LEDs to show operating conditions
- Sensor technology permits an offset between actuator and interlock of \pm

- 5 mm vertically and \pm 3 mm horizontally
 - Intelligent diagnosis
-



AZM 200

- thermoplastic enclosure
 - Guard locking monitored
 - Electronic contact-free, coded system
 - Max. length of the sensor chain 200 m
 - Self-monitoring series-wiring of 31 sensors
 - 3 LEDs to show operating conditions
 - Sensor technology permits an offset between actuator and interlock of \pm 5 mm vertically and \pm 3 mm horizontally
 - Intelligent diagnosis
 - Manual release
-

K.A. Schmersal GmbH & Co. KG, Mödinghofe 30, D-42279 Wuppertal

The data and values have been checked thoroughly. Technical modifications and errors excepted.

Generiert am 08.04.2015 - 16:20:41h Kasbase 3.1.2.F.64I