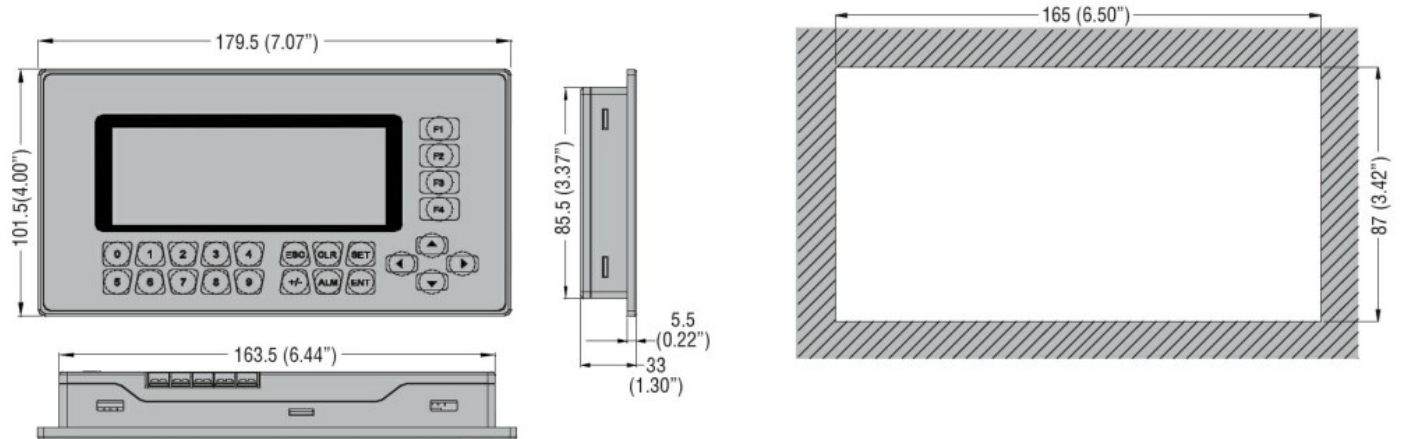




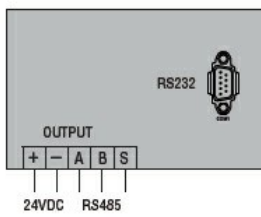
Product designation	Operator panel, 24VDC. RS232 and RS485 (Modbus-RTU Master) ports		
Product type designation	LRXP01		
Auxiliary supply voltage	24VDC		
<b>Power supply</b>			
Operating voltage range	20.4...26.4VDC (-15%...+10%)		
Power consumption Max	W	1.9	
<b>System resources</b>			
Display	LCD display 4.3" monochrome, olive background		
Colors	192 x 64 pixel		
Resolution	No		
Touchscreen			
<b>Communications</b>			
Type of communication port	1 RS232 + 1 RS485 (Modbus-RTU master)		
<b>Connections</b>			
Terminals type	Screw		
Tightening torque for terminals	max	Nm	1.8
	Max	lbft	10.4
Conductor section			
	AWG/Kcmil	min	22
		max	12
	IEC	min	mm <sup>2</sup> 0.4
		max	mm <sup>2</sup> 3.3
<b>Ambient conditions</b>			
Temperature			
	Operating temperature	max	°C +55
	Storage temperature	min	°C -40
		max	°C +70
Relative humidity		%	10...95% without condensation
Maximum Pollution degree	2		
<b>Housing</b>			
Degree of protection	IP65		

Dimensions (W x H x D)	mm	179.5 x 101.5 x 33
Weight	g	200

**Dimensions**



**Wiring diagrams**



**Certifications and compliance**

**Compliance**

CSA C22.2 n° 142

IEC/EN 61131-2

UL508

**Certificates**

cULus

EAC