

CLASSIC RANGE

POP TYPE PRESSURE RELIEF VALVES

1002, 61B2, V05

R1/4

Protect compressed air systems from overpressurization

Simple, low cost 'Pop' type units for direct connection to pressure vessels and associated components

Pre-set and tamper resistant relief valves protected from ingress

TECHNICAL DATA

Medium:

Compressed air only

Ambient Temperature:

-40°C to +230°C (1002)

-20°C to +80°C (61B2)

-4°C to +40°C (V05)

Consult our Technical Service for use below +2°C

MATERIALS

Body and adjusting cap:

Brass (1002, 61A2, 61B2 and V05 brass)

Ball Seal:

Stainless Steel (1002 only)

Seals:

Polyurethane (61A2, 61B2 and V05 brass)

Seal Body:

Acetal or Brass (V05 brass only)

Models

Model No.	Size	Pressure range (bar)
1002	R1/4	2 to 6,3
1002/BM000	R1/4	0 to 1,6
1002/BP000	R1/4	1,6 to 2,5
1002/BR000	R1/4	6,3 to 14
61B2/BM000	R1/4	0,63 to 1,6
61B2/BN000	R1/4	1,6 to 4
61B2/BS000	R1/4	2,5 to 5
61B2/BT000	R1/4	5 to 10
61B2/BU000	R1/4	10 to 16

Norgren pressure relief valves comply with category O(S.E.P.) and category 1 of the Pressure Equipment Directive 97/23/EC. If categories 2, 3 or 4 products are required contact our Technical Services.



1002



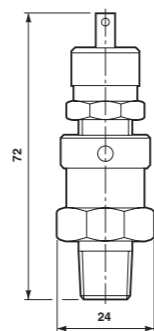
61B2



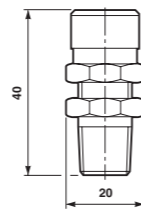
V05 (brass)



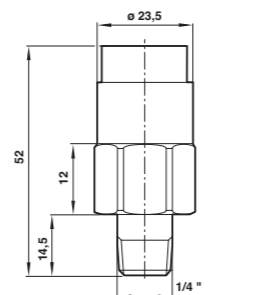
V05 (plastic)



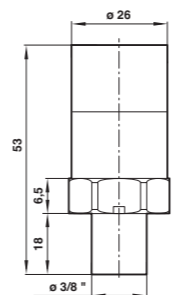
1002



61B2



V05 (brass)



V05 (plastic)

CLASSIC RANGE

5/2, 5/3 MANUAL IN-LINE VALVE

Martonair M/1700

G1/4, G1/2



Compact, well proven range – perfectly suited to many applications

Air assisted detent ensures positive valve location

Simple servicing and sub-base mounting for reduced down-time

TECHNICAL DATA

Medium:

Compressed air, filtered, lubricated and non-lubricated

Operating pressure:

2 to 10 bar

Flow:

Size l/min

G1/4 1290

G1/2 3200

Ambient temperature:

-20°C to +80°C

Consult our Technical Service for use below +2°C

MATERIALS

Body and sub-base:

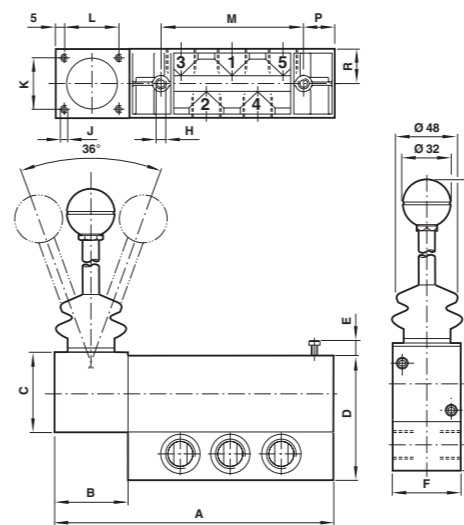
Pressure die-cast zinc alloy

Spool:

Aluminium

Seals:

Nitrile



Dimensions

Model	A	B	C	D	E	F	G	H	J	K	L	M	P	R
M/1702	143,5	42	41,5	65	0,5	35	200,5	M6	M4	27	32	67,5	17	17,5
M/17*4	197	49	56,5	89,5	9,5	35	222,5	M8	M5	35,5	35,5	101,5	23	24

Models

Model No.	Size	Function	Actuation	Mid position
M/1702/177	G1/4	5/2	Lever/Lever	-
M/1702/87	G1/4	5/3	Lever/Lever/Lever	APB
M/1704/177	G1/2	5/2	Lever/Spring	-
M/1704/87	G1/2	5/3	Lever/Lever/Lever	APB
M/1704/687	G1/2	5/3	Lever/Spring/Lever	APB
M/1714/687	G1/2	5/3	Lever/Spring/Lever	COE