

# MSW - SWITCH-DISCONNECTORS

Safety in every movement



Motors | Automation | Energy | Transmission & Distribution | Coatings



# Switch-Disconnectors

## MSW

### Summary

Introduction	04
General Characteristics	06
Selection	08
Change-Over Switch	10
Switch-Disconnectors in Thermoplastic Enclosure	12
Switch-Disconnectors	13
Accessories	15
Dimensions	17

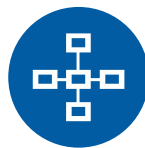


# SAFETY IN EVERY MOVEMENT

MSW switch-disconnectors were developed according to IEC 60947-3 / UL 508 and enable the manual drive of motors, machines and other equipment. They are also used to drive and interrupt electrical circuits under load conditions.



Modern and compact design, demanding little installation space



Complete accessory line



Terminals with IP20 degree of protection



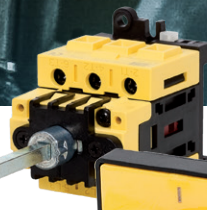
IP65 protection rating handles that allow the use of up to three padlocks and door interlocking



ON/OFF indication on the handle



Two mounting options for the switch-disconnectors, meeting the needs of different applications



*Mounting on base*

*Switch-disconnector in IP65 enclosure*



*Mounting on base - direct command switch*



*Mounting on base - change-over switch*



*Mounting on top*

## General Characteristics

EN 60947-3 characteristics			MSW 12	MSW 16	MSW 20	MSW 25 MSWB 25	MSW 40 MSWB 40	MSW 63 MSWB 63	MSW 80 MSWB 80	MSW 100	
Rated operating voltage Ue	V		690								
Rated insulation voltage Ui	V		690								
Rated impulse withstand voltage Uimp	kV		4	4	4	8	8	8	8	8	
Rated thermal current Ith = Iu	A		16	20	25	32	40	63	80	100	
Rated thermal current in enclosed Ithe	A		12	16	20	32	40	63	80	86	
Frequency	Hz		50/60								
Rated operating current Ie: alternate current											
AC-21 A	690 V	A	12	16	20	32	40	63	80	100	
AC-22 A	500 V	A	-	-	-	-	-	-	-	100	
	690 V	A	12	16	20	25	32	63	80	86	
AC-23 A	3 phases 3 poles	230 V	A/kW	10/3	13/4	16/5	25/7.5	32/10	63/20	80/25	70/22
		400 V	A/kW	10/5.5	13/7.5	16/9	25/15	32/18.5	50/28	75/42	67/37
		500 V	A/kW	10/7.5	14/10	16/11	25/15	32/22	50/35	75/52	67/45
		690 V	A/kW	10/7.5	14/10	16/12.5	16/15	20/18.5	26/25	32/31	38/37
AC3)	2 phases 2 poles	110 V	A/kW	10/0.75	12/1.1	16/1.5	-	-	-	-	-
		230 V	A/kW	10/2	12/2.2	16/3.5	-	-	-	-	-
	3 phases 3 poles	230 V	A/kW	8/2.2	10/3	12/4	22/5.5	27/7.5	45/14	60/19	60/18.5
		400 V	A/kW	8/4	10/5.5	12/6.5	22/11	27/15	40/22	60/30	55/30
Rated interruption current AC-23 A (cos-φ 0.45)	3 phases 3 poles	500 V	A/kW	8/5.5	10/7.5	12/8	22/11	27/18.5	35/24	45/31	55/37
		690 V	A/kW	6/5.5	8/7.5	10/9	16/11	20/15	22/21	25/24	32/30
		230 V	A	80	104	128	200	256	360	600	560
		400 V	A	80	104	128	200	256	360	536	536
Rated short-time short circuit withstand current - Icw (1s)	3 phases 3 poles	500 V	A	80	112	128	200	256	280	536	536
		690 V	A	80	112	128	128	160	176	256	304
		690 V	A	300	300	300	800	800	1,200	1,500	1,500
Short-circuit making capacity (peak value) - Icm	A		1,200	1,200	1,200	1,500	1,500	2,200	2,800	2,840	
Conditional rated short circuit withstand current	kA		5	5	5	10	10	10	10	10	
Fuse rating gG	500 V	A	-	-	-	-	-	-	-	100	
	690 V	A	20	20	20	40	40	63/80	63/80	-	
UL 508 characteristics											
General use	600 V ac	A	12	16	20	32	40	60	80	100	
Standard motors load	Single-phase 2 poles	120 V ac	HP(FLA)	0.5 (9.8)	1 (16)	1.5 (20)	1.5 (20)	2 (24)	2 (24)	3 (34)	3 (34)
		240 V ac	HP(FLA)	1 (8)	1.5 (10)	2 (12)	3 (17)	5 (28)	5 (28)	7.5 (40)	10 (50)
	Single-phase 3 poles	240 V ac	HP(FLA)	3 (9.6)	5 (15.2)	5 (15.2)	7.5 (22)	10 (28)	10 (28)	15 (42)	10 (28)
		480 V ac	HP(FLA)	5 (7.6)	7.5 (11)	10 (14)	10 (14)	15 (21)	25 (34)	30 (40)	25 (34)
		600 V ac	HP(FLA)	5 (6.1)	7.5 (9)	10 (11)	15 (17)	20 (22)	30 (32)	40 (41)	30 (32)
Protection degree	Handle	EN 60529 (UL 50)	IP65 (TYPE 1 - 4 - 4X - NEMA 4X)								
	Terminals	EN 60529	IP20								
Material group	EN 60947-1		II								
Pollution grade	EN 60947-1		3								
Flammability	UL 94		V0								
Ambient temperature	Operation	°C	-25 +55								
	Storage	°C	-30 +70								
Switching force (3 poles)			0.8 Nm (7.1 lb.in.)			0.8 Nm (7.1 lb.in.)		1 Nm (8.85 lb.in.)		1.5 Nm (13.3 lb.in.)	
Connection											
Terminal block caliber	EN 60947-1		A3			A6		A8		A8	
Terminal screw			M3.5			M4		M5		M5	
Tightening torque	EN 60947-1		0.8 Nm			1.2 Nm		3 Nm		3 Nm	
	UL 508		7.5 lb.in. (0.85 Nm)			7 lb.in. (0.8 Nm)		32 lb.in. (3.6 Nm)		32 lb.in. (3.6 Nm)	
Connection cross-section											
Flexible conductors	mm <sup>2</sup>		1x0.75/4 - 2x0.75/2.5			1.5-10		6-25		6-25	
	AWG		16-12			12-8		10-2		10-2	
Solid conductors	mm <sup>2</sup>		1x0.75/4 - 2x0.75/2.5			1.5-10		10-25		10-35	
	AWG		16-12			12-8		10-2		10-2	
Opening angles											
Mechanical life						120 operations per hour mil/cl		750,000		100,000	
90°											

Note: auxiliary contacts are not available for MSW 12, MSW 16, MSW 20 and MSW 100 switch-disconnectors

MSW 125	MSW 160	Auxiliary contacts	MSWR 25	MSWR 40	MSWR 63	MSWR 80	MSWR 125	MSWR 160
690								
800							800	
8	8	4	8	8	8	8	8	8
125	160	16	32	40	63	80	125	160
125	160	10	32	40	63	80	125	160
50/60								
125	160	AC-15 500 V - 4 A	32	40	63	80	125	160
125	160	DC-13 250 V - 0.4 A	-	-	-	-	125	160
125	160	-	25	32	63	80	125	160
125	160	-	25/7.5	32/10	63/20	80/25	-	-
125	160	-	25/15	32/18.5	50/28	75/42	125	160
100	125	-	25/15	32/22	50/35	75/52	100	125
80	100	-	16/15	20/18.5	26/25	32/31	80	100
-	-	-	-	-	-	-	-	-
-	-	-	-	-	-	-	-	-
-	-	-	22/5.5	27/7.5	45/14	60/19	-	-
-	-	-	22/11	27/15	40/22	60/30	-	-
-	-	-	22/11	27/18.5	35/24	45/31	-	-
-	-	-	16/11	20/15	22/21	25/24	-	-
-	-	-	200	256	360	600	-	-
1280	1280	-	200	256	360	536	1.000	1.280
-	-	-	200	256	280	536	800	1000
800	800	-	128	160	176	256	640	800
3,000	3,000	-	800	800	1,200	1,500	3.000	3.000
4,500	4,500	-	1,500	1,500	2,200	2,800	4.500	4.500
15	15	1	10	10	10/5	10/5	10	10
125	125	10	-	-	-	-	-	-
-	-	-	40	40	63/80	63/80	125	125
IP65 (TYPE 1 - 4 - 4X - NEMA 4X)								
125	150	HD A600 AC Q600 DC	32	40	60	80	125	150
20 (108)	20 (108)	-	-	-	-	-	-	-
40 (104)	40 (104)	-	-	-	-	-	-	-
25 (68)	25 (68)	-	7.5 (22)	10 (28)	10 (28)	15 (42)	25 (68)	25 (68)
50 (65)	50 (65)	-	10 (14)	15 (21)	25 (34)	30 (40)	50 (65)	50 (65)
60 (62)	60 (62)	-	15 (17)	20 (22)	30 (32)	40 (41)	60 (62)	60 (62)
IP20								
IIIa			II					
3								
V0								
-25 +55								
-30 +70								
2.6 Nm (23 lb.in.)		-		0.8 Nm (7.1 lb.in.)		1 Nm (8.85 lb.in.)		1.5 Nm (13.3 lb.in.)
A11 M8		A2 M3.5		A6 M4		A8 M5		A11 M8
6 Nm 53 lb.in. (6 Nm)		0.8 Nm 12 lb.in. (1.3 Nm)		1.2 Nm 10.6 lb.in.		3 Nm 32 lb.in. (3.6 Nm)		6 Nm 53 lb.in. (6 Nm)
10/50		10/50		1.5-10		6-25		6-70
2/0-6		3/0-6		12-8		10-2		2/0 - 6
10-70		10-70		1.5-10		10-25		6-50
2/0-6		3/0-6		12-8		10-2		-
90°		-		90°		90°		90°
100,000		1,500,000		100,000		100,000		30,000

## Selection

# HOW TO SELECT THE MSW ACCORDING TO YOUR APPLICATION?



The MSW line offers a range of accessories and configurations, available in the default configuration and which can be selected to suit the application requirements. Check out below the four steps necessary for the proper selection of the MSW switch-disconnector.

### 1 - Mounting

MSW switch-disconnectors are mounted on panel doors or bases according to the selected model.

- **Mounting on door:** in this system, the switch-disconnector is mounted on panel doors by means of screws. The switch-disconnector and the handle are always coupled.
- **Mounting on base:** the switch-disconnector is mounted on a base, like the panel plates, by screws or DIN rail. There is a shaft to couple the switch-disconnector to the handle. The uncoupling of the switch-disconnector and the handle is only possible when the switch-disconnector is in the OFF position.

### 2 - Current

The switch-disconnector must present a rated current capacity equal to or above the rated current of the circuit/load. The MSW switch-disconnectors withstand currents up to 160 A. The rated values are indicated in the general characteristics table (pages 6 and 7).

### 3 - Handle and Shaft

The handles of the MSW switch-disconnectors, developed with IP65 degree of protection, allow the use of up to three padlocks when in the OFF position, ensuring safety during maintenance.

For switch-disconnectors with base mounting, besides the handle, it is necessary to use a shaft.

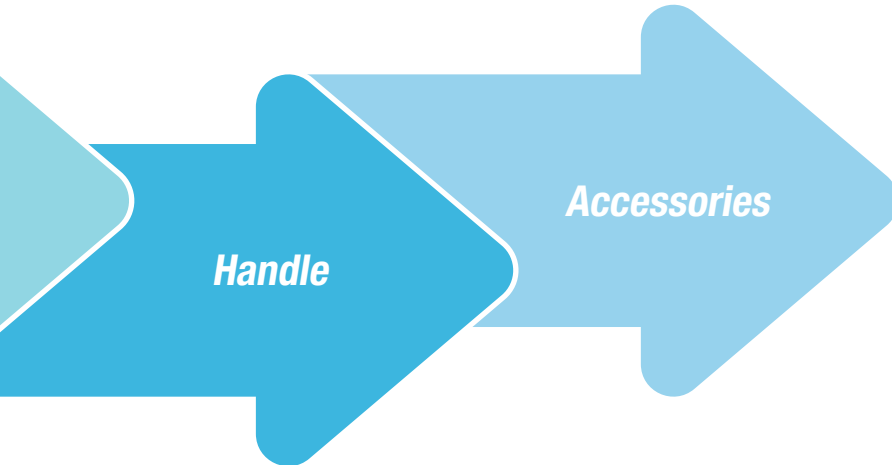
The shaft must have a length equal to or longer than the distance between the switch-disconnector and the handle.

The handles for the MSW switch-disconnectors are available in blue and yellow or black and gray.

With those characteristics, it is possible to define a standard switch-disconnector, but WEG offers other accessories that may be required for each application.







# MSW SELECTED!

## 4 - Accessories

### 4.a - Auxiliary Contacts

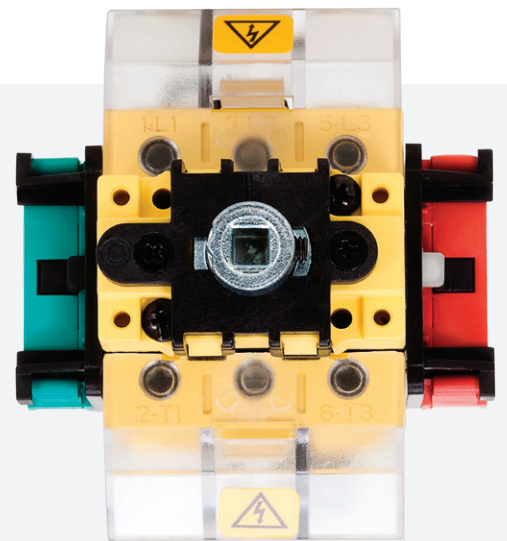
The MSW line provides auxiliary contacts for mounting on the sides of the switch-disconnector. On each side of the switch-disconnector, it is possible to mount an auxiliary contact, as shown in the figure on the right.

### 4.b - Terminal Cover

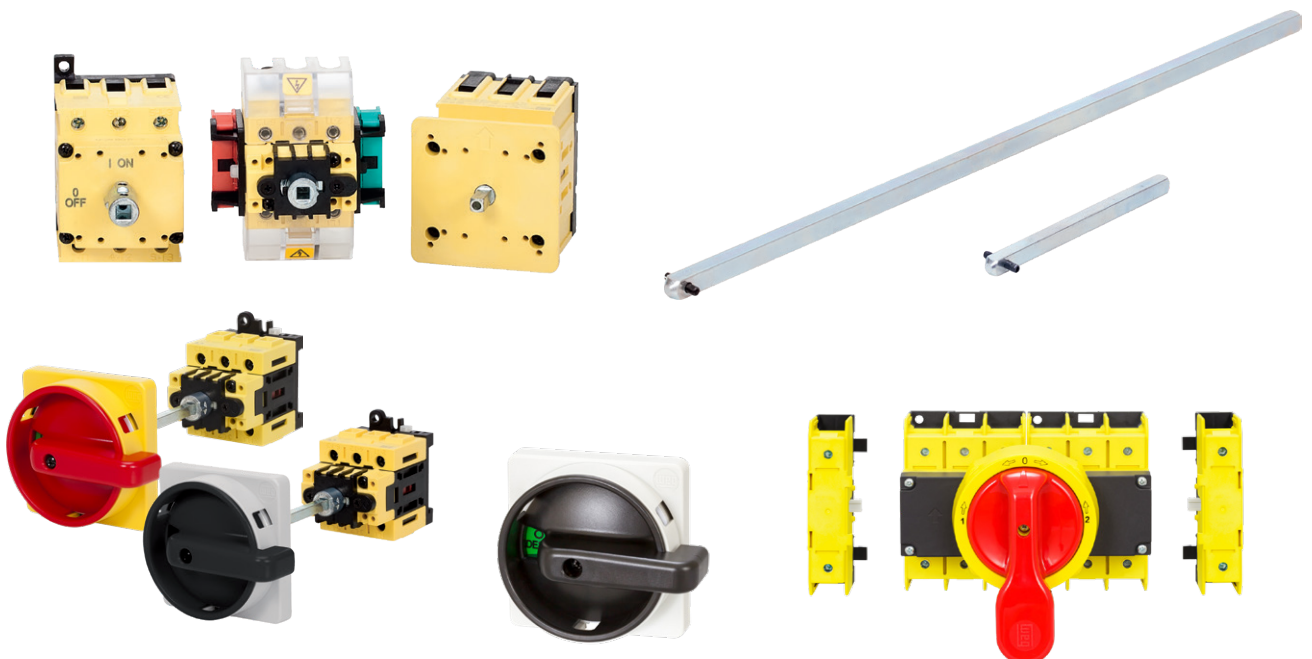
In compliance with the Brazilian regulatory standard NR10, the MSW line offers terminal covers for protection against inadvertent touches, reducing the risk of direct contact with the switch-disconnector terminals.

### 4.c - Additional Pole

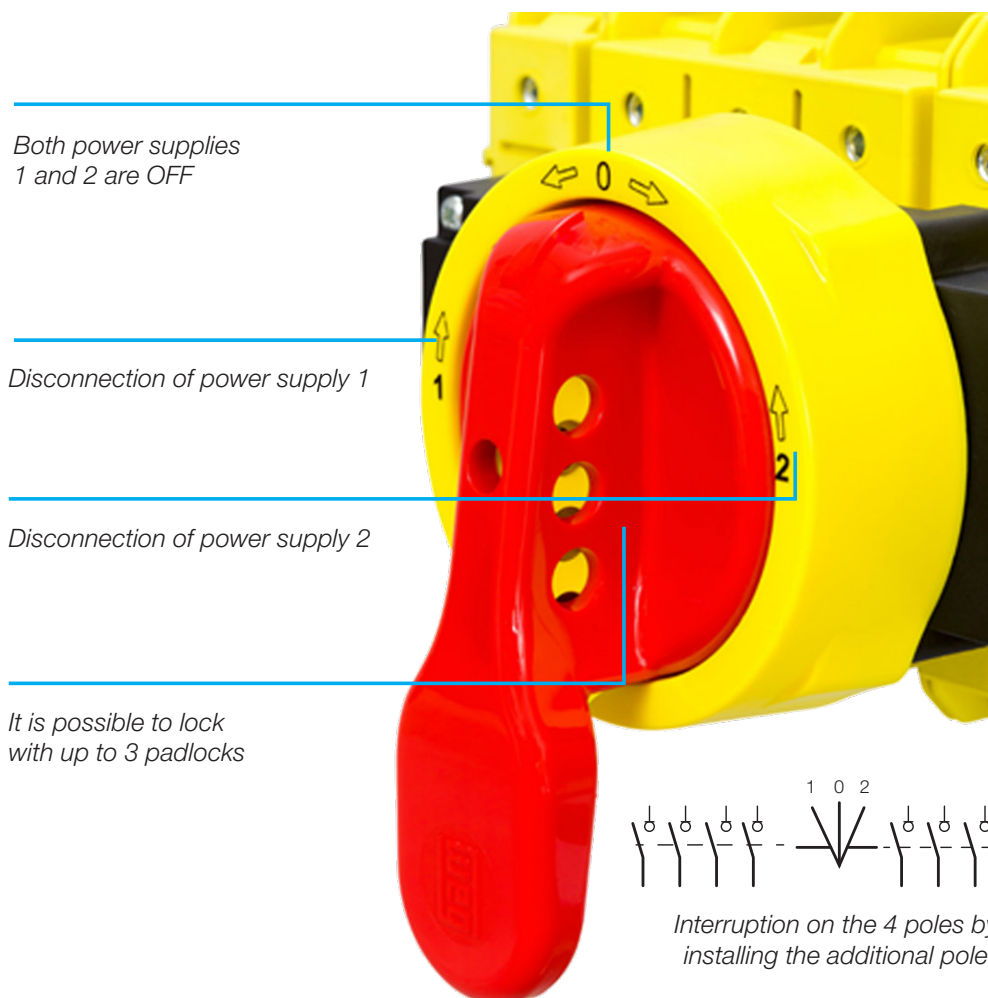
For applications that require disconnection of the neutral, the MSW line has an additional neutral pole, which can be mounted on the side of the switch disconnector.



*Example of a switch-disconnector with two auxiliary contacts and two terminal covers.*



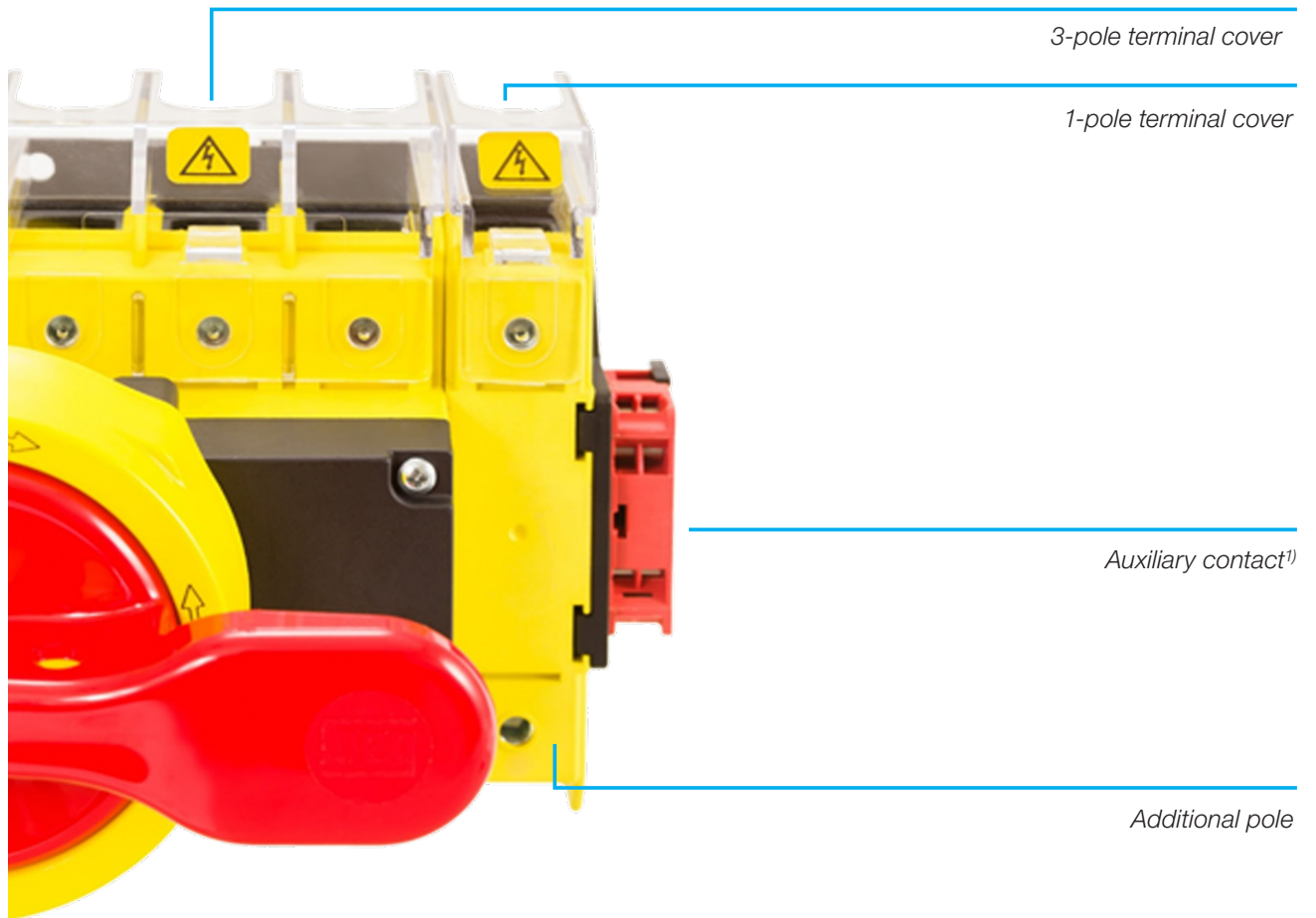
## Change-Over Switch



- The reversing switch consists of two on-load switch-disconnectors.
- The interlocking prevents both power supplies from being simultaneously turned on, ensuring complete separation between the electrical circuits.
- When the handle is placed in number 1, the power supply on the left is disconnected.
- When the handle is placed in number 2, the power supply on the right is disconnected.
- The switching always occurs from power supply (1) to the zero point (0, in this position both switch-disconnectors are OFF), and then to power supply (2). The operation occurs by means of a single handle, through positions 1-0-2.
- A 4-pole version can be assembled by installing an additional pole (accessory item).



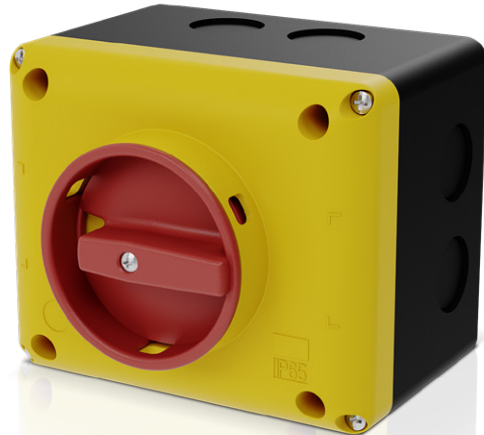
## Change-Over Switch



*Note: 1) The fitting of the auxiliary contact on the additional pole (as shown in the picture) is only possible on 125 and 160 A models. Other models must be fitted directly to the switch-disconnector.*



## Switch-Disconnectors in Thermoplastic Enclosure



**IP65**  
DEGREE OF  
PROTECTION

- Surface-mounted switch-disconnectors (base);
- Four current options: 25 A, 40 A, 63 A and 80 A;
- Two color options: yellow cover with red handle or gray cover with black handle;
- Locking in the OFF position with up to three padlocks;
- Knock-outs for cable gland: flexibility allowing cable entry/exit at the top, bottom and rear of the box;
- Robust and heat resistant enclosures;
- An additional pole can be installed (accessory item);
- An auxiliary contact can be installed (accessory item);
- IP65 protection rating.

## Switch-Disconnectors

### Mounting on Top

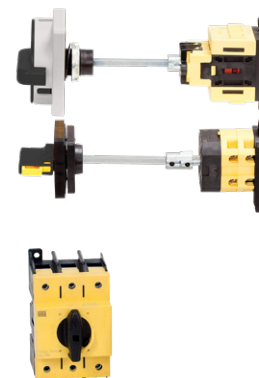
Reference code	Current (A)	Switch-disconnector mounting	Poles	Shaft (mm)	Code
MSW 12 P3 H <sup>1)</sup>	12	Top	3	-	12258388
MSW 12 P3 <sup>2)</sup>				-	12258305
MSW 12 P2 H <sup>1)</sup>			2	-	12258395
MSW 12 P2 <sup>2)</sup>				-	12258391
MSW 16 P3 H <sup>1)</sup>	16	Top	3	-	12258389
MSW 16 P3 <sup>2)</sup>				-	12258306
MSW 16 P2 H <sup>1)</sup>			2	-	12258397
MSW 16 P2 <sup>2)</sup>				-	12258392
MSW 20 P3 H <sup>1)</sup>	20	Top	3	-	12258390
MSW 20 P3 <sup>2)</sup>				-	12258307
MSW 20 P2 H <sup>1)</sup>			2	-	12258438
MSW 20 P2 <sup>2)</sup>				-	12258394
MSW 25 P3 H <sup>1)</sup>	25	Top	3	-	11898918
MSW 25 P3 <sup>2)</sup>				-	11898714
MSW 40 P3 H <sup>1)</sup>	40	Top	3	-	11898886
MSW 40 P3 <sup>2)</sup>				-	11898883
MSW 63 P3 H <sup>1)</sup>	63	Top	3	-	11898922
MSW 63 P3 <sup>2)</sup>				-	11898884
MSW 80 P3 H <sup>1)</sup>	80	Top	3	-	11898923
MSW 80 P3 <sup>2)</sup>				-	11898885
MSW 100 P3 H <sup>1)</sup>	100	Top	3	-	11898945
MSW 100 P3 <sup>2)</sup>				-	11898887



- Notes: 1) The standard supply includes rotary handle for the panel door in red and escutcheon in yellow.  
 2) Only the mechanism of the switch-disconnector is supplied (no rotary handle).  
 3) Supply of the switch-disconnector with black handle on request.

### Mounting on Base

Reference code	Current (A)	Switch-disconnector mounting	Poles	Shaft (mm)	Code
MSW 12 B3 H <sup>1)</sup>	12	Base	3	85	12258443
MSW 12 B3 <sup>2)</sup>				-	12258440
MSW 12 B2 H <sup>1)</sup>			2	85	12258459
MSW 12 B2 <sup>2)</sup>				-	12258446
MSW 16 B3 H <sup>1)</sup>	16	Base	3	85	12258444
MSW 16 B3 <sup>2)</sup>				-	12258441
MSW 16 B2 H <sup>1)</sup>			2	85	12258460
MSW 16 B2 <sup>2)</sup>				-	12258447
MSW 20 B3 H <sup>1)</sup>	20	Base	3	85	12258445
MSW 20 B3 <sup>2)</sup>				-	12258442
MSW 20 B2 H <sup>1)</sup>			2	85	12258461
MSW 20 B2 <sup>2)</sup>				-	12258458
MSW 25 B3 H <sup>1)</sup>	25	Base	3	85	11898938
MSW 25 B3 <sup>2)</sup>				-	11898940
MSW 40 B3 H <sup>1)</sup>	40	Base	3	85	11898925
MSW 40 B3 <sup>2)</sup>				-	11898946
MSW 63 B3 H <sup>1)</sup>	63	Base	3	85	11898942
MSW 63 B3 <sup>2)</sup>				-	11898924
MSW 80 B3 H <sup>1)</sup>	80	Base	3	85	11898941
MSW 80 B3 <sup>2)</sup>				-	11898926
MSW 125 B3 H <sup>1)</sup>	125	Base	3	300	11898943
MSW 125 B3 <sup>2)</sup>				-	11898939
MSW 160 B3 H <sup>1)</sup>	160	Base	3	300	11898944
MSW 160 B3 <sup>2)</sup>				-	11898927



- Notes: 1) Red rotary handle for panel door and yellow escutcheon included.  
 2) Only the mechanism of the switch-disconnector is supplied (no rotary handle and no shaft).  
 3) Supply of the switch-disconnector with black handle on request.

## Switch-Disconnectors

### Mounting on Base - Direct Command Switch

Reference code	Current (A)	Switch-disconnector mounting	Poles	Shaft (mm)	Code
MSWD 12 B3 HB	12	Base	3	-	12736260
MSWD 16 B3 HB	16			-	12736261
MSWD 20 B3 HB	20			-	12736262
MSWD 25 B3 HB	25			-	12736263
MSWD 40 B3 HB	40			-	12736264
MSWD 63 B3 HB	63			-	12736265
MSWD 80 B3 HB	80			-	12736266

Note: black rotary handle.



### Change-Over Switch

Reference code	Current (A)	Switch-disconnector mounting	Poles	Handle	Code
MSWR 25 B3 H	25	Base	3	Red/yellow	12686300
MSWR 40 B3 H	40			Red/yellow	12686301
MSWR 63 B3 H	63			Black	12686302
MSWR 80 B3 H	80			Black	12686303
MSWR 125 B3 H	125			Red/yellow	12686305
MSWR 160 B3 H	160			Red/yellow	12484706



### Switch-Disconnectors in IP65 Enclosure

Reference code	Current (A)	Switch-disconnector mounting	Poles	Front part color	Code
MSWB 25 B3 H	25	Base	3	Yellow cover red handle	14891129
MSWB 40 B3 H	40				14891131
MSWB 63 B3 H	63				14891132
MSWB 80 B3 H	80				14891133
MSWB 25 B3 HB	25			Gray cover black handle	14906720
MSWB 40 B3 HB	40				14906721
MSWB 63 B3 HB	63				14906722
MSWB 80 B3 HB	80				14906723

Note: black enclosure base.



## Accessories

### Rotary Operating Handle

- Prevents the panel door from being opened while the switch-disconnector is in the ON position (valid for base-mounted switch-disconnectors);
- Total locking (switch-disconnector + panel door) in the OFF position with up to three padlocks;
- IP65 protection rating;
- Base-mounted switch-disconnector models come with standard shaft.

Reference code	Switch-disconnector	Color	Switch-disconnector mounting	Shaft (mm)	Code	
MSW H 20-P-R	MSW 12 / MSW 16 / MSW 20	Red and yellow	Top	-	12258462	
MSW H 85-20-B-R			Base	85 (□5)	12258463	
MSW H 40-P-R	MSW 25 / MSW 40		Top	-	11899507	
MSW H 85-40-B-R			Base	85 (□5)	11899512	
MSW H 85-80-B-R	MSW 63 / MSW 80		Base	85 (□6)	11966588	
MSW H 100-P-R			Top	-	11899509	
MSW H 300-160-B-R	MSW 125 / MSW 160		Base	300 (□6)	11899515	
MSW H 20-P-B	MSW 12 / MSW 16 / MSW 20		Black and gray	Top	-	12746820
MSW H 85-20-B-B				Base	85 (□5)	12746821
MSW H 40-P-B	MSW 25 / MSW 40			Top	-	12746822
MSW H 85-40-B-B		Base		85 (□5)	12746823	
MSW H 85-80-B-B	MSW 63 / MSW 80	Base		85 (□6)	12746824	
MSW H 100-P-B	MSW 63 / MSW 80 / MSW 100	Top		-	12746825	
MSW H 300-160-B-B	MSW 125 / MSW 160	Base		300 (□6)	12746826	



Note: the rotary operating handle accessory item can be used in the MSW line (base and top). Not compatible with MSWD, MSWR and MSWB lines.

### Shaft for Rotary Operating Handle

Reference code	Switch-disconnector	Dimensions (mm)	Code
MSW HS 185-40	MSW 12 / MSW 16 / MSW 20 / MSW 25 / MSW 40	185 (□5)	12030688
MSW HS 300-40		300 (□5)	12030689
MSW HS 185-160	MSW 63 / MSW 80 / MSW 125 / MSW 160	185 (□6)	12030690
MSW HS 300-160		300 (□6)	12030691



Note: the rotary operating handle shaft accessory item can be used in the MSW line (base and top). Not compatible with MSWD, MSWR and MSWB lines.

### Additional Pole<sup>1)</sup>

- Models for base-mounted switches: application in MSW (base), MSWD, MSWR and MSWB;
- Models for top-mounted switches (door): application in MSW (top).

Reference code	Switch-disconnector	Switch-disconnector mounting	Code
MSW AP 25-B-1NA	25	Base	12727284
MSW AP 40-B-1NA	40		12727285
MSW AP 63-B-1NA	63		12727298
MSW AP 80-B-1NA	80		12727299
MSW AP 160-B-1NA <sup>2)</sup>	125/160		13052847
MSW AP 25-P-1NA	25	Top	12727286
MSW AP 40-P-1NA	40		12727287
MSW AP 63-P-1NA	63		12727300
MSW AP 80-P-1NA	80		12727301



Notes: 1) The same item can be installed on either side of the switch-disconnector.  
2) Auxiliary contact block can be assembled.

## Accessories

### Auxiliary Contact

- Direct mounting on the side of the switch-disconnector;
- It is possible to install up to two auxiliary contacts per switch-disconnector;
- Models for base-mounted switches: application in MSW (base), MSWD, MSWR and MSWB;
- Models for top-mounted switches (door): application in MSW (top).

Reference code	Switch-disconnector	Switch-disconnector mounting	Conductor cross-section	Code
MSW AC 40-B-1NF	25 / 40	Base	1 mm <sup>2</sup> - 2.5 mm <sup>2</sup> 18 AWG - 12 AWG	11899456
MSW AC 40-B-1NA				11899457
MSW AC 40-P-1NF		Upper part		11899468
MSW AC 40-P-1NA				11899469
MSW AC 80-B-1NF	63 / 80	Base		11899470
MSW AC 80-B-1NA				11899471
MSW AC 80-P-1NF		Upper part		11899472
MSW AC 80-P-1NA				11899476
MSW AC 160-B-1NF	125 / 160	Base	13233893	
MSW AC 160-B-1NA			13233894	



Note: 1) Fastening the auxiliary contact to the additional pole accessory item is only possible in 125 A and 160 A models. Other models must be fastened directly to the switch-disconnector.

### Terminal Cover

- Provides protection against inadvertent touch on the switch-disconnector terminals;
- Models for base-mounted switches: application in MSW (base), MSWD and MSWR;
- Models for top-mounted switches (door): application in MSW (top).

Reference code	Switch-disconnector	Switch-disconnector mounting	Poles	Code
MSW TS 40-B-3	25 / 40	Base	3	11899501
MSW TS 40-P-3		Top	3	11899502
MSW TS 40-B/P-1		Base / Top	1	13164767
MSW TS 80-B/P-3	63 / 80	Base / Top	3	11899504
MSW TS 80-B/P-1		Base / Top	1	13164788
MSW TS 100-P-3	100	Top	3	11899505
MSW TS 160-B-3	125 / 160	Base	3	13164789
MSW TS 160-B/P-1		Base	1	13164790



Note: to cover the terminals on the 100 A model, it is necessary to use 2 pieces of item MSW TS 100-P-3.

### Mounting Tool

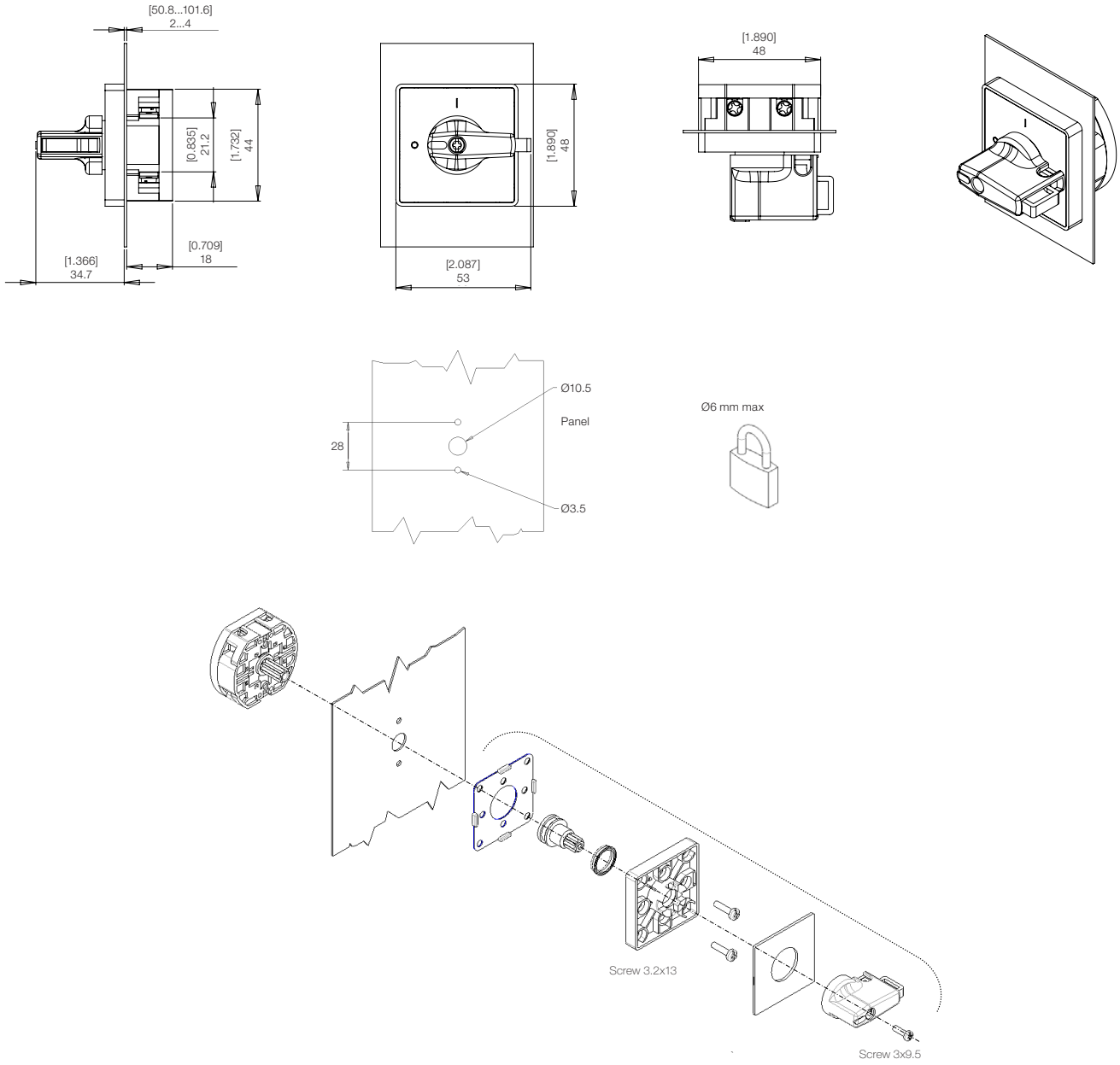
Reference code	Switch-disconnector	Code
MSW FK PT	MSW 25/MSW 40/MSW 63/MSW 80/MSW 100	12187331





# Dimensions

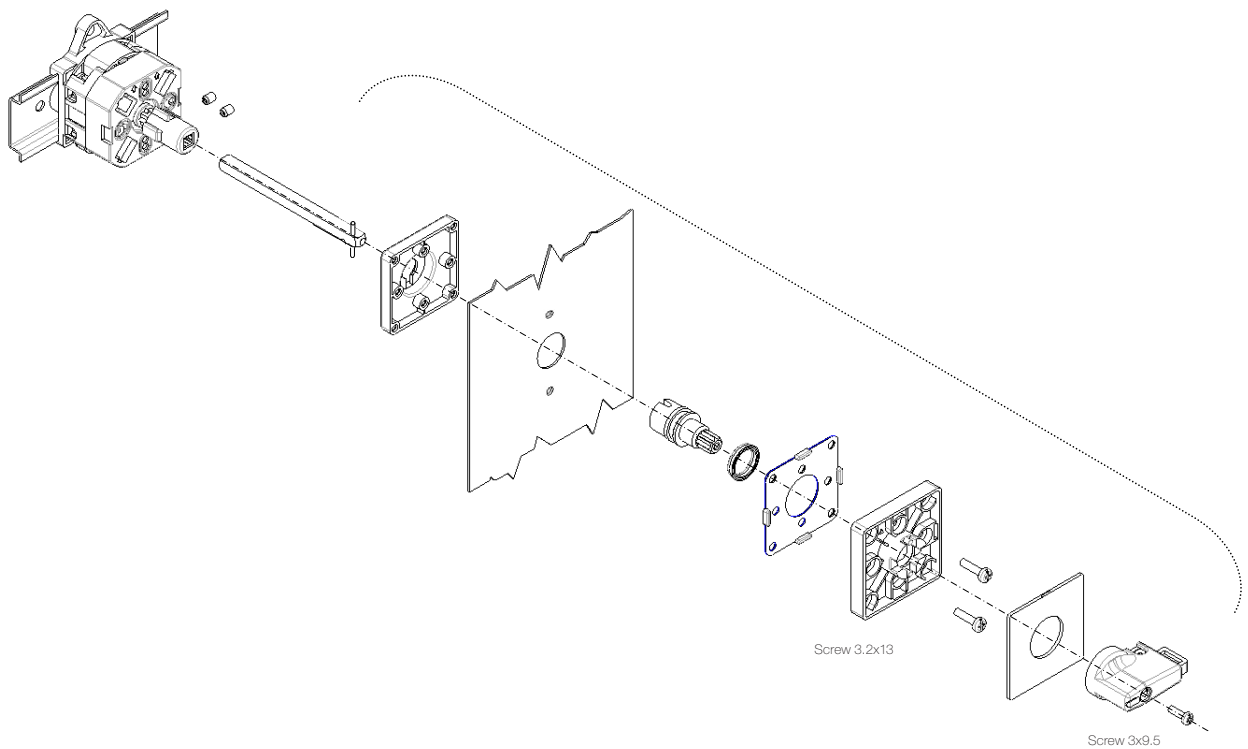
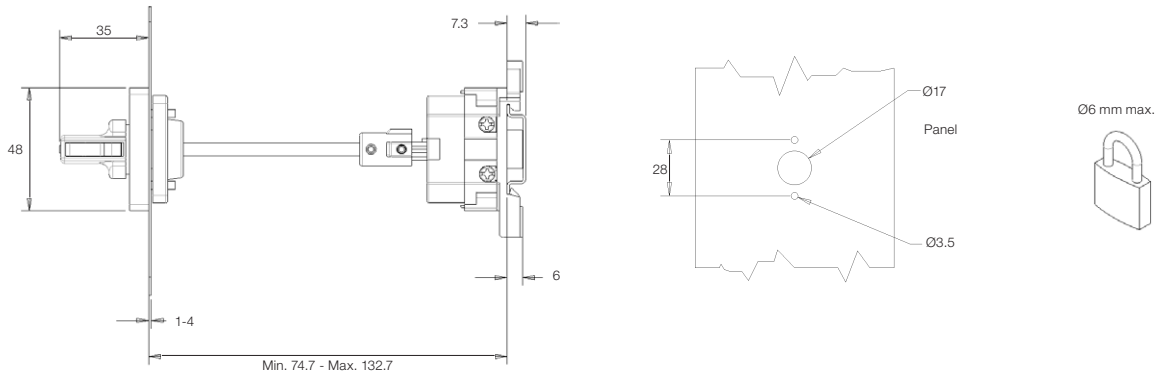
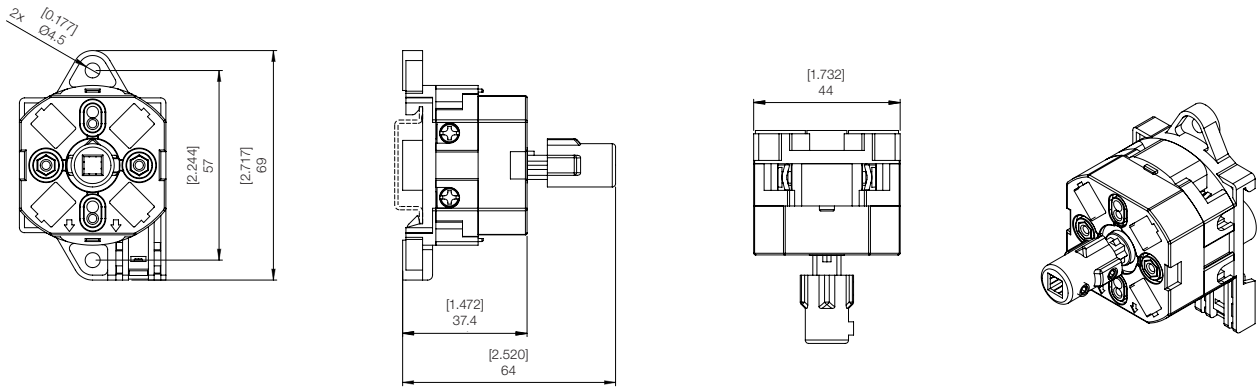
## MSW 12 P2 / MSW 16 P2 / MSW 20 P2



Note: dimensions in mm.

# Dimensions

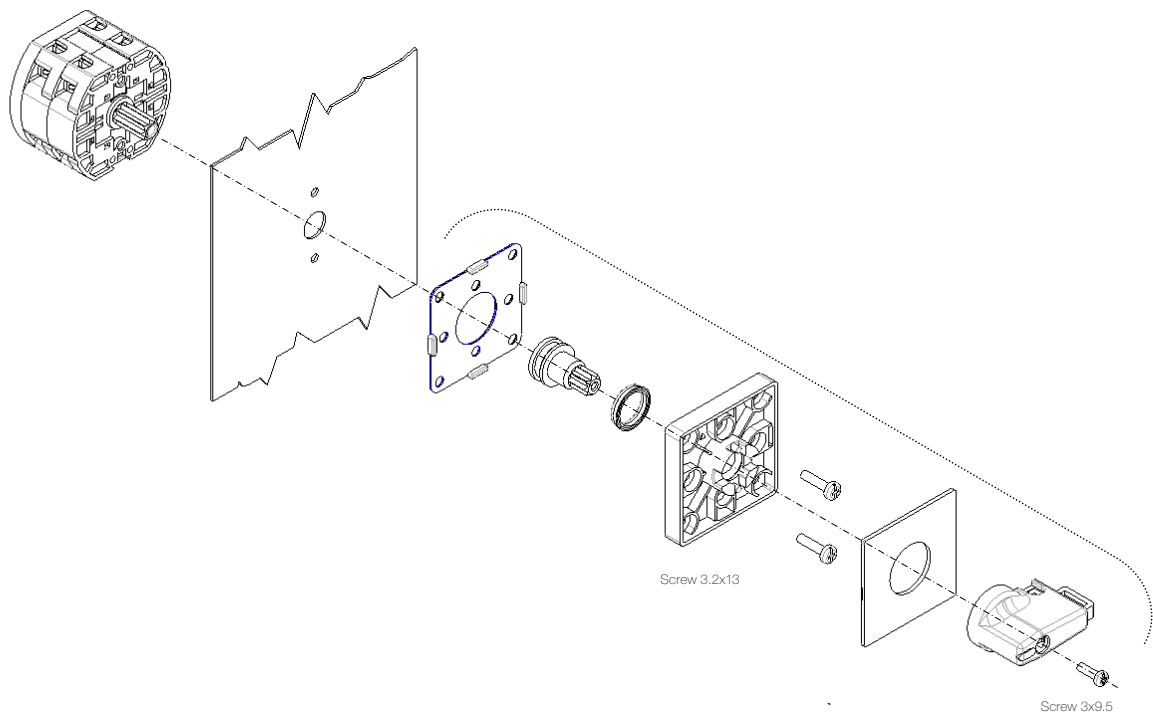
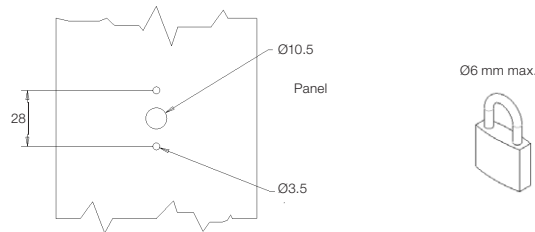
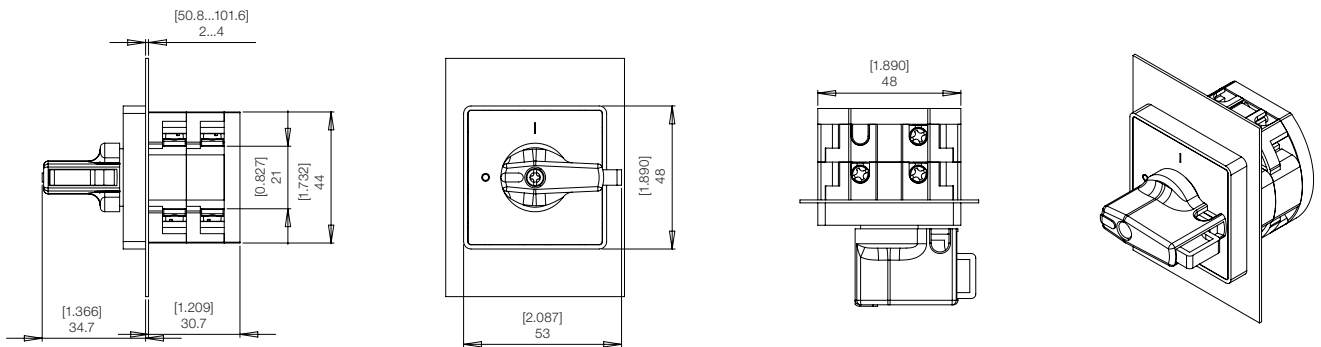
## MSW 12 B2 / MSW 16 B2 / MSW 20 B2



Note: dimensions in mm.

# Dimensions

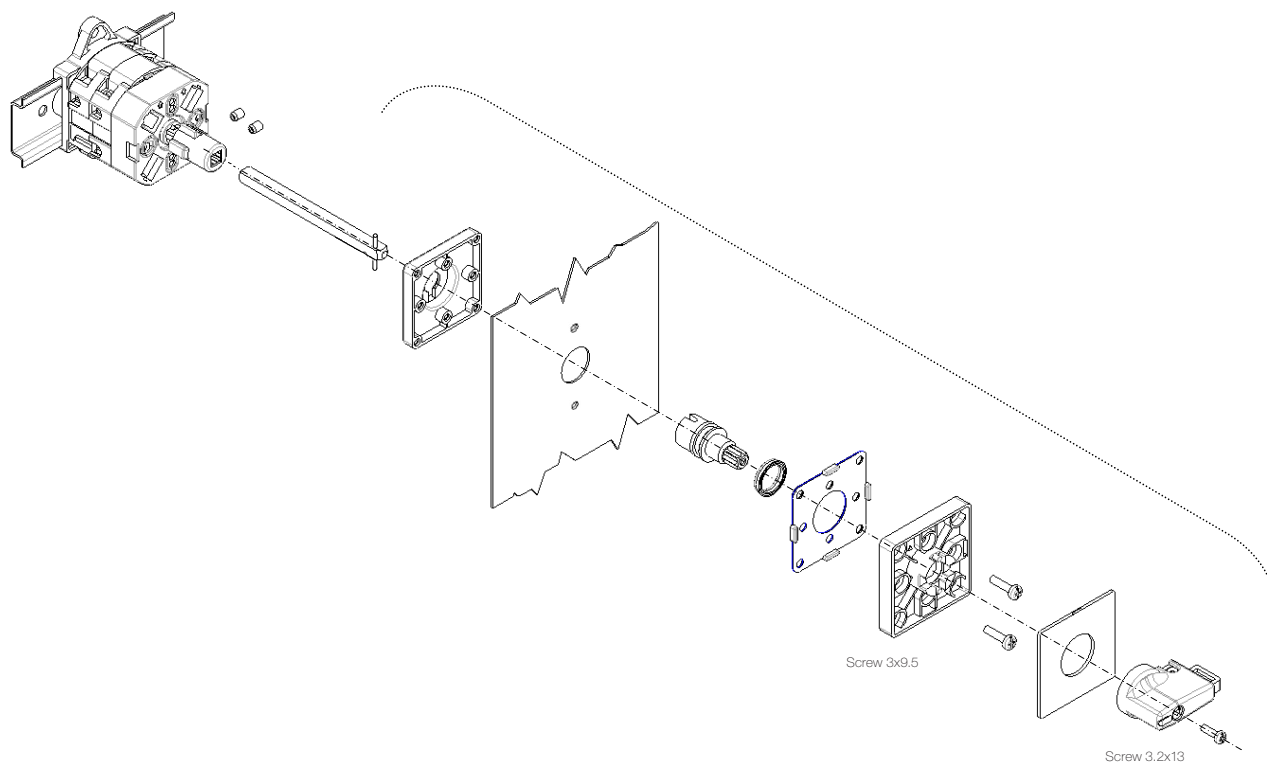
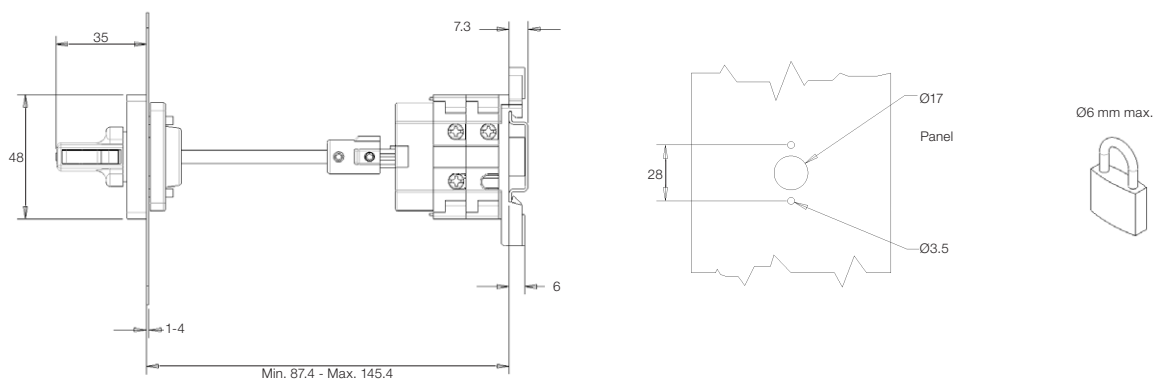
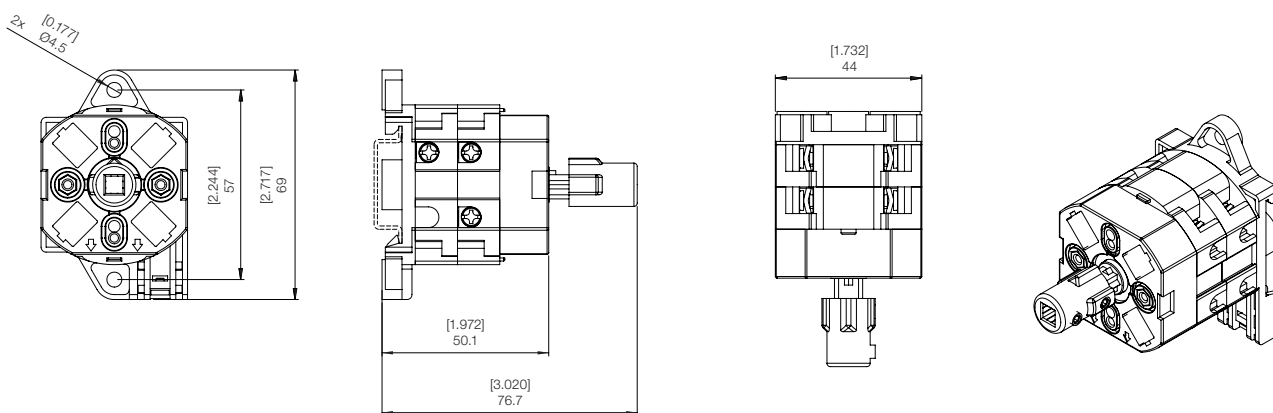
## MSW 12 P3 / MSW 16 P3 / MSW 20 P3



Note: dimensions in mm.

# Dimensions

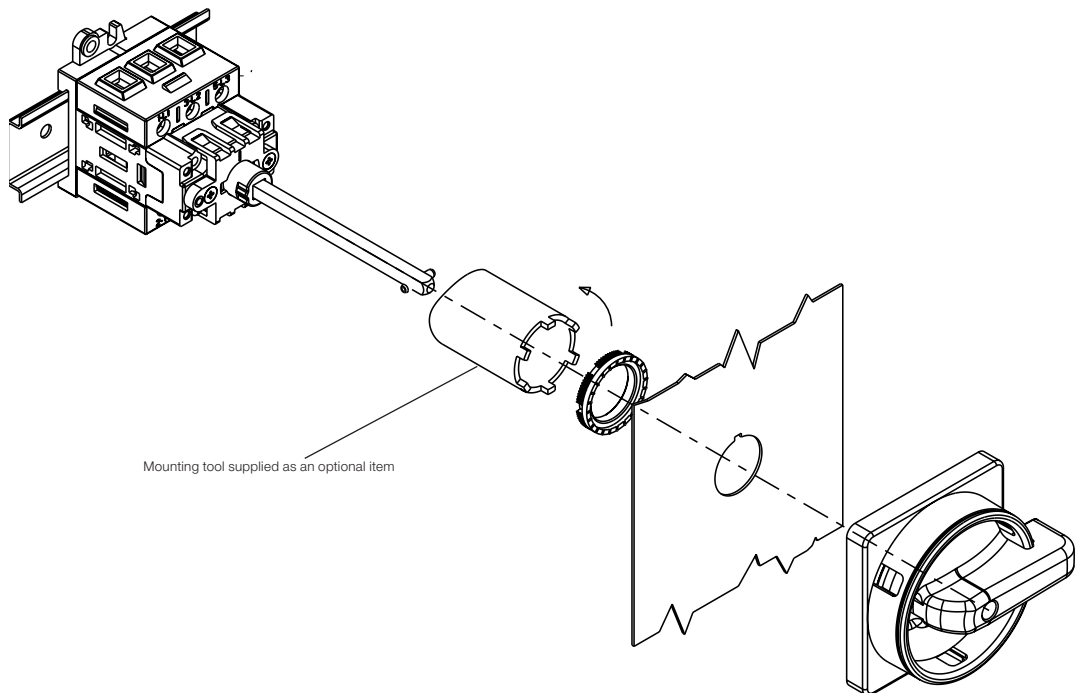
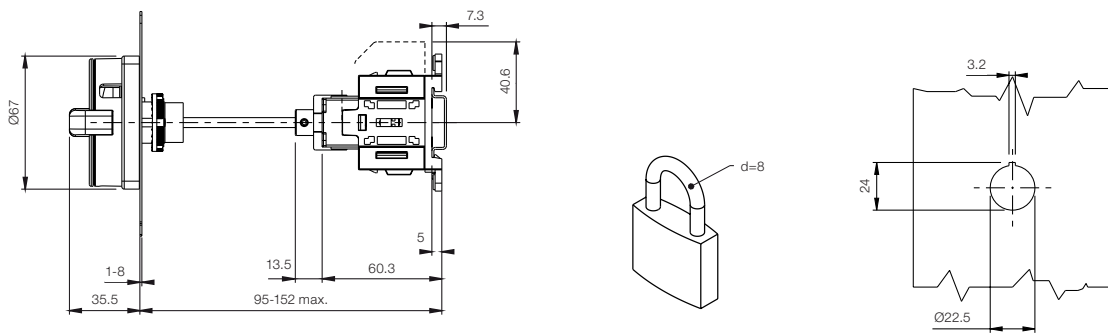
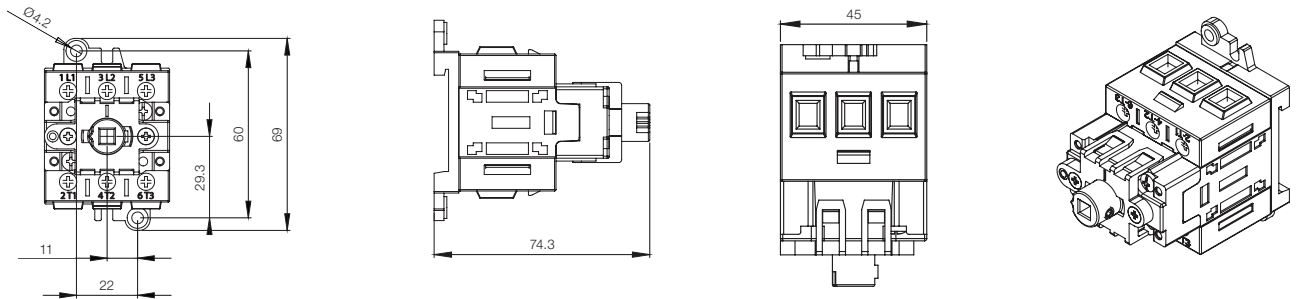
## MSW 12 B3 / MSW 16 B3 / MSW 20 B3



Note: dimensions in mm.

# Dimensions

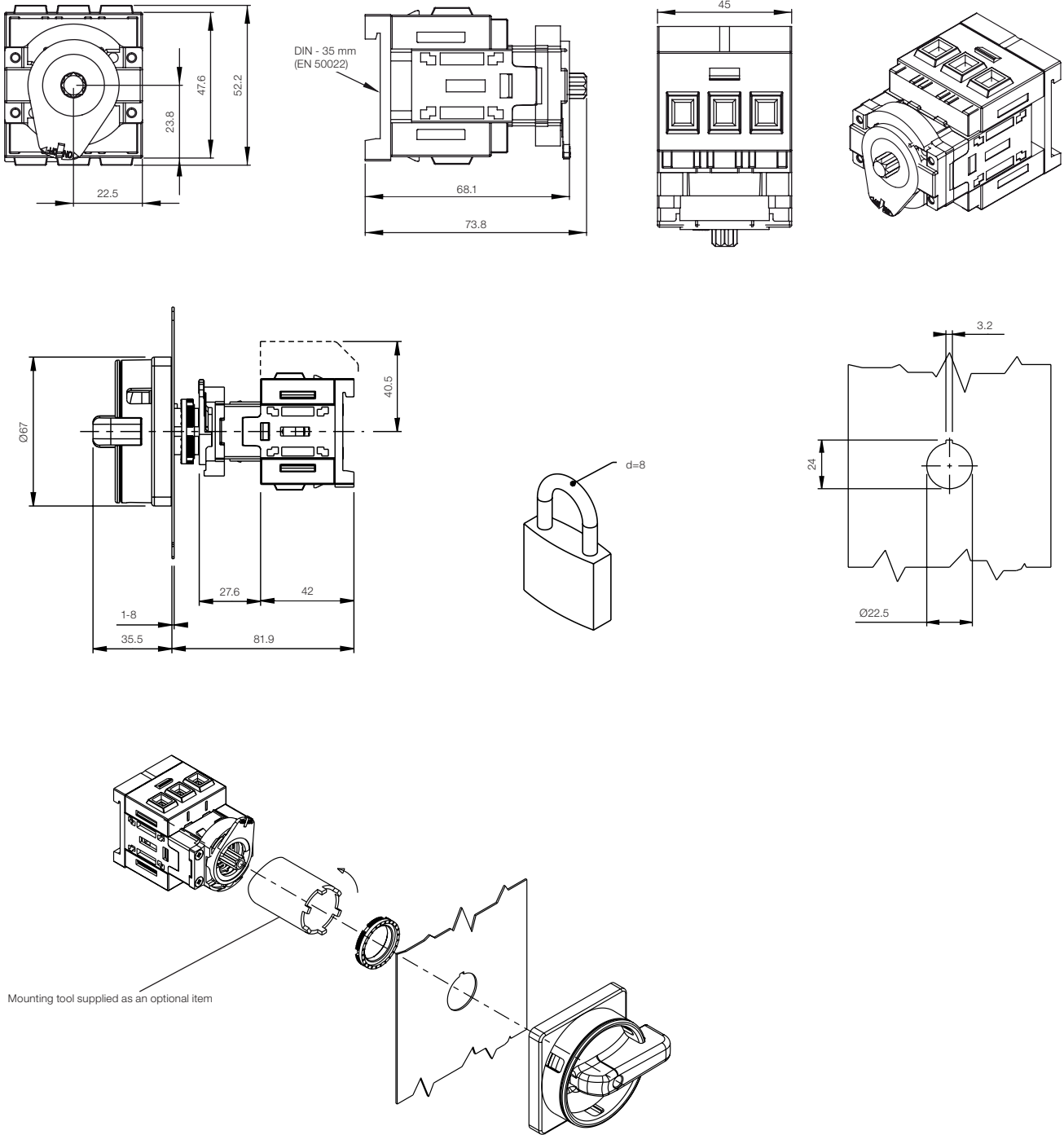
## MSW 25 B3 / MSW 40 B3



Note: dimensions in mm.

# Dimensions

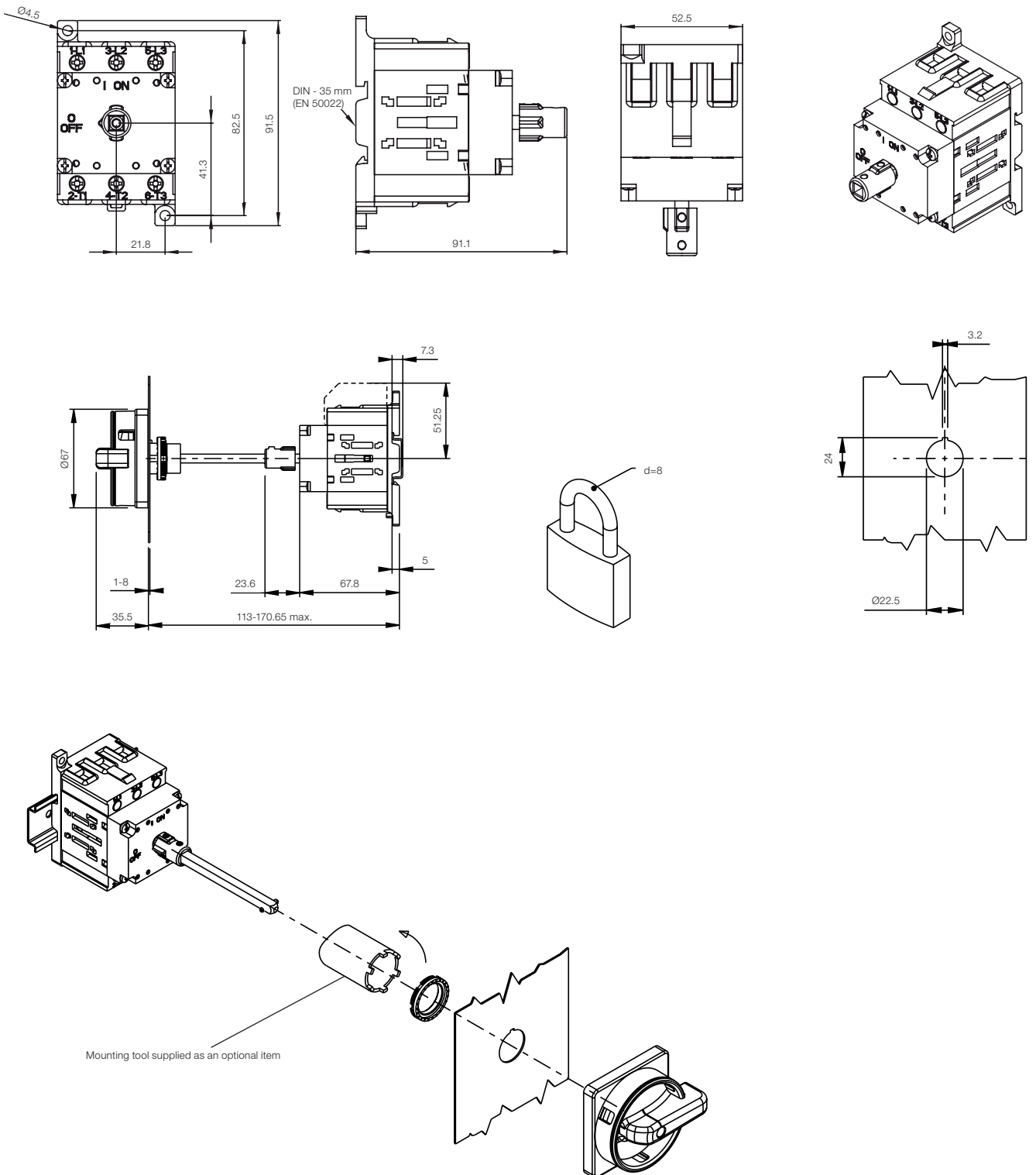
## MSW 25 P3 / MSW 40 P3



Note: dimensions in mm.

# Dimensions

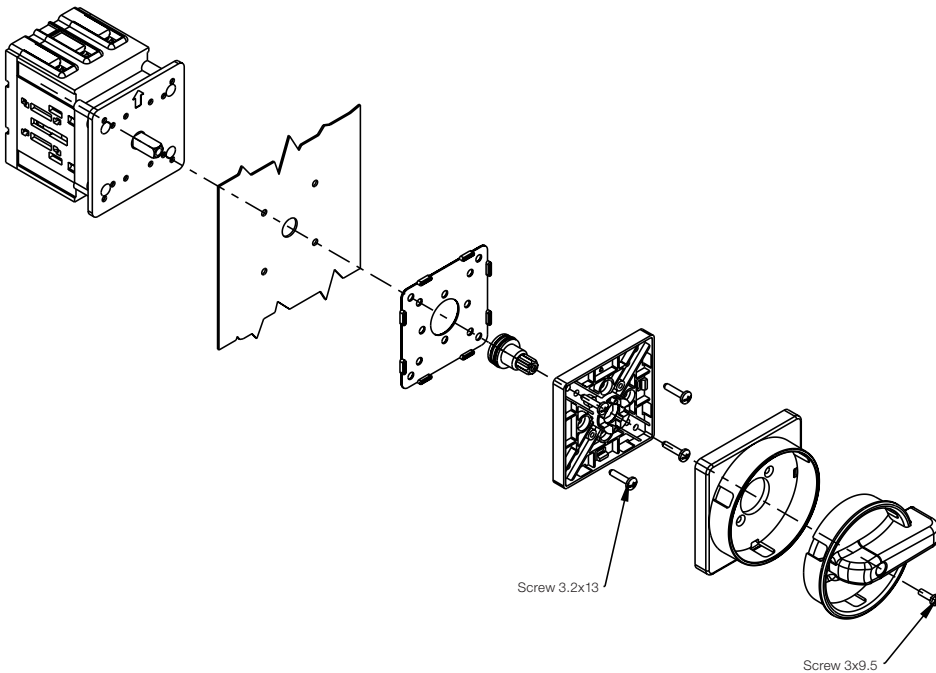
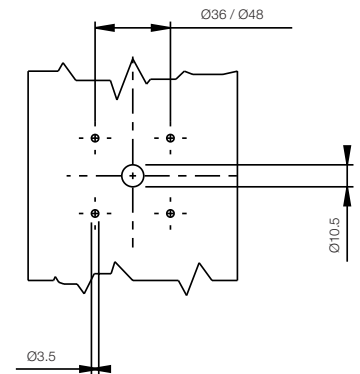
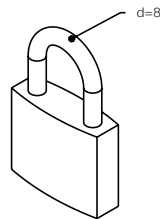
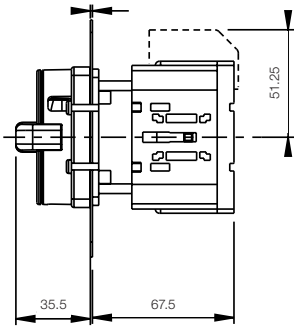
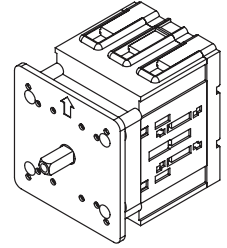
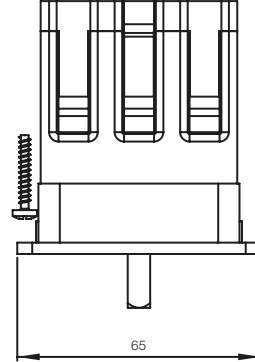
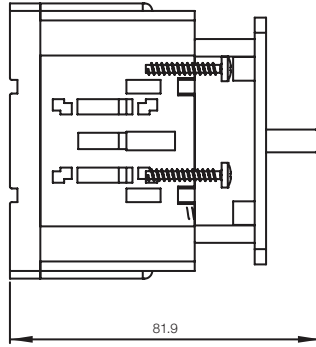
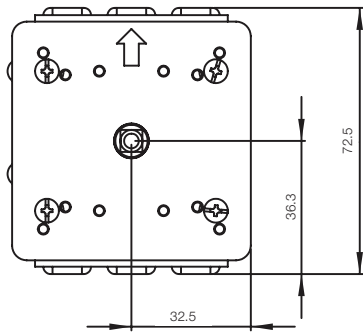
## MSW 63 B3 / MSW 80 B3



Note: dimensions in mm.

# Dimensions

## MSW 63 P3 / MSW 80 P3

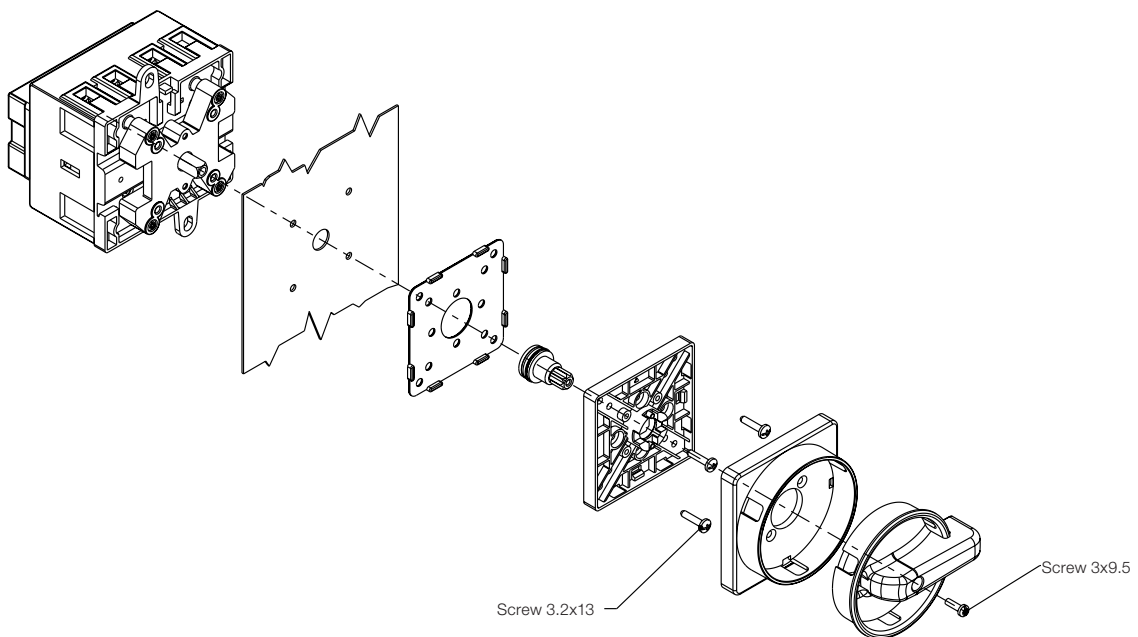
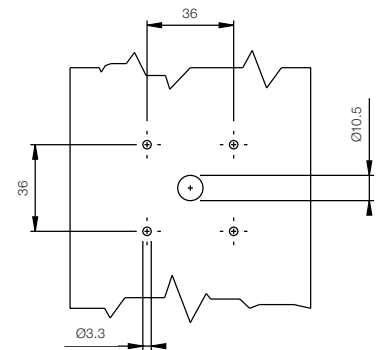
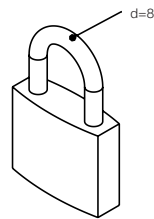
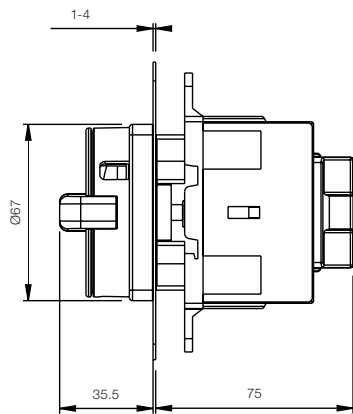
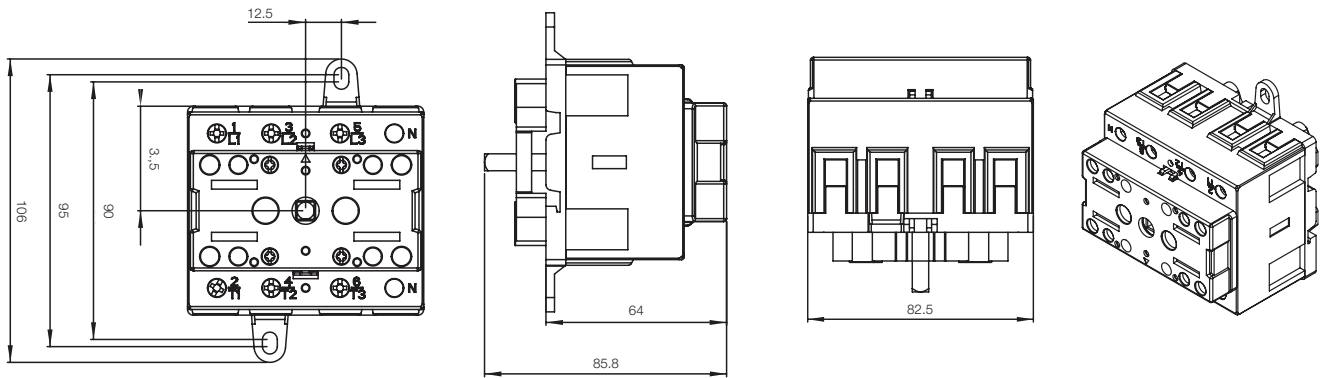


Note: dimensions in mm.



# Dimensions

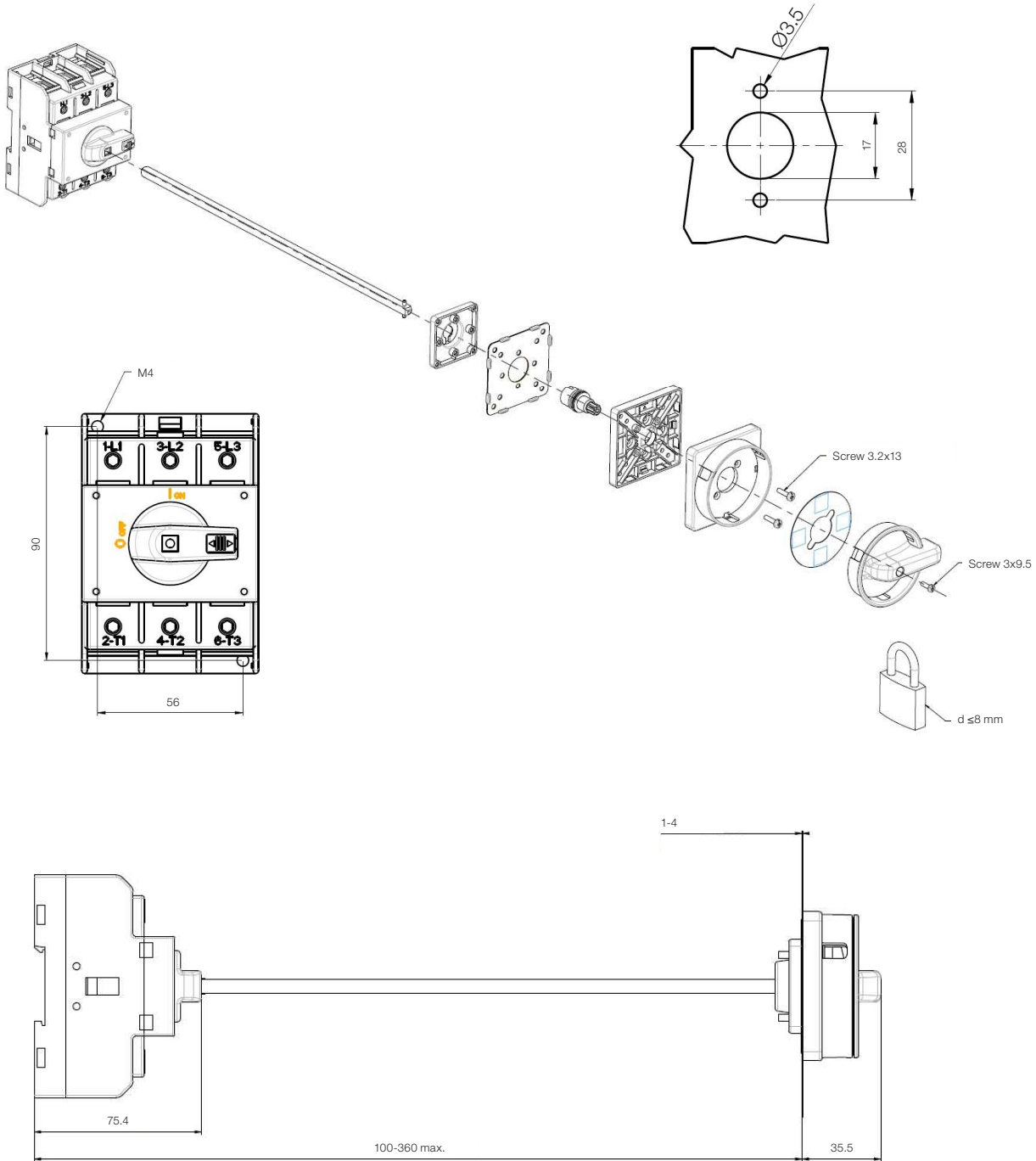
## MSW 100 P3



Note: dimensions in mm.

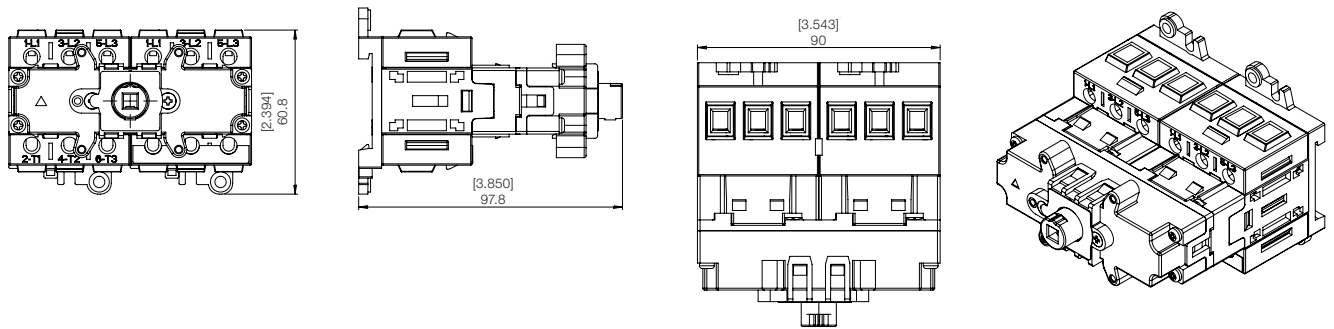
# Dimensions

## MSW 125 B3 / MSW 160 B3

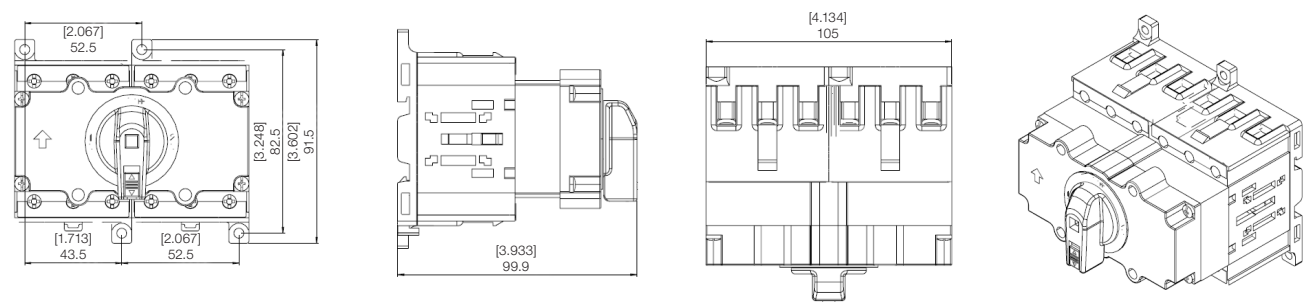


# Dimensions

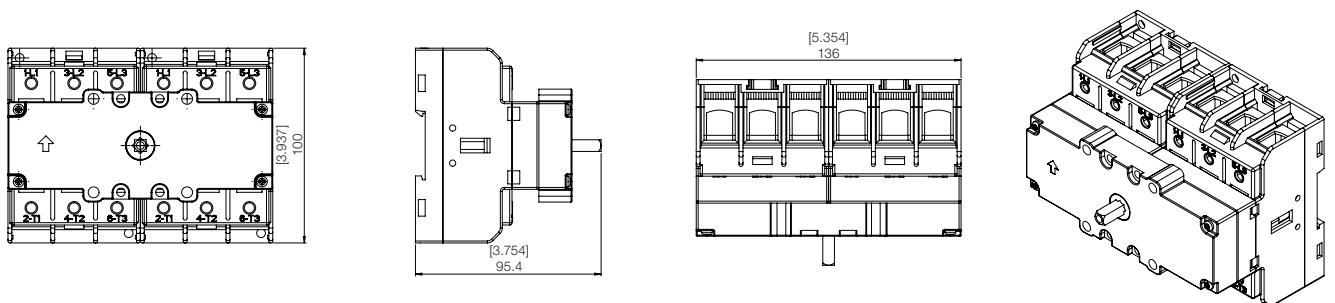
## MSWR 25 B3 / MSWR 40 B3



## MSWR 63 B3 / MSWR 80 B3



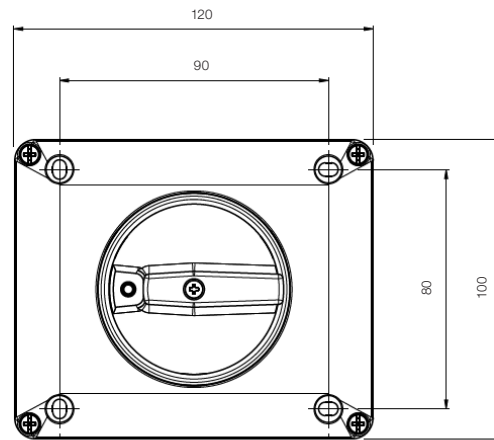
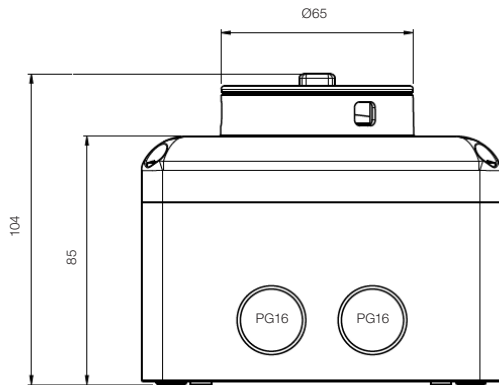
## MSWR 125 B3 / MSWR 160 B3



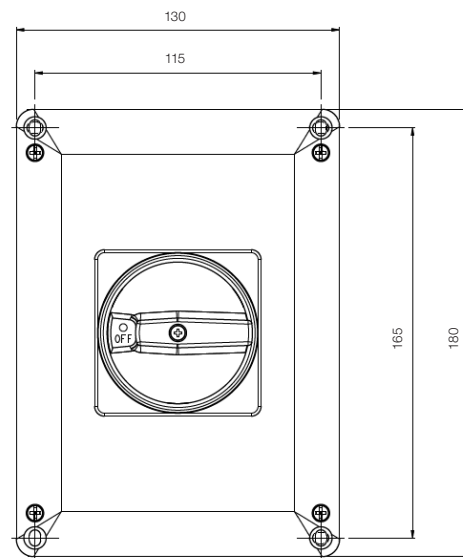
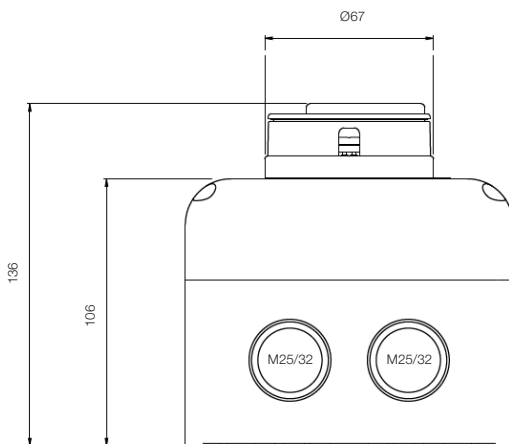
Note: dimensions in mm.

## Dimensions

### MSWB 25 B3 / MSWB 40 B3



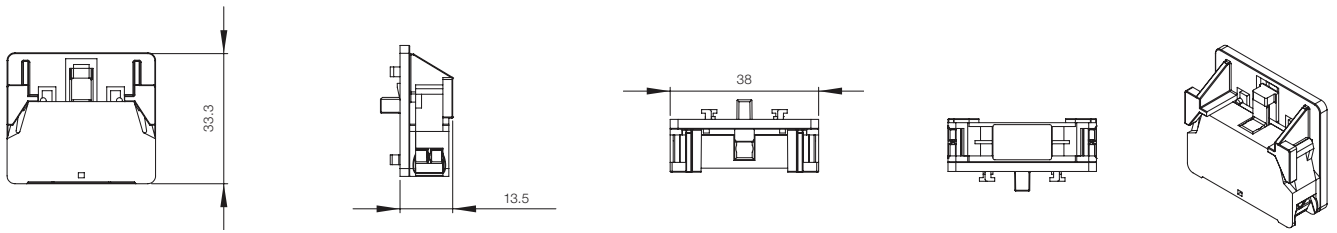
### MSWB 63 B3 / MSWB 80 B3



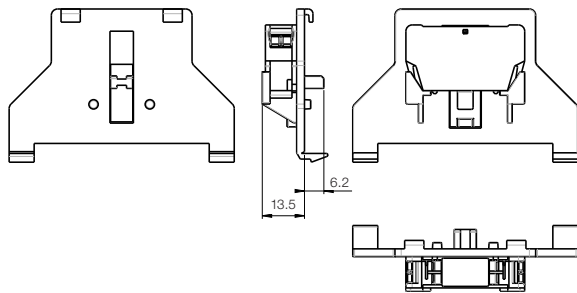
Note: dimensions in mm.

# Dimensions

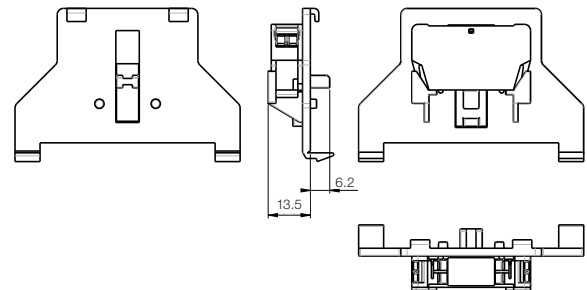
## MSWAC-40...80B-1NC / MSWAC-40...80B-1NO / MSWAC-40...80P-1NC / MSWAC-40...80P-1NO



## MSWAC-160B1NC



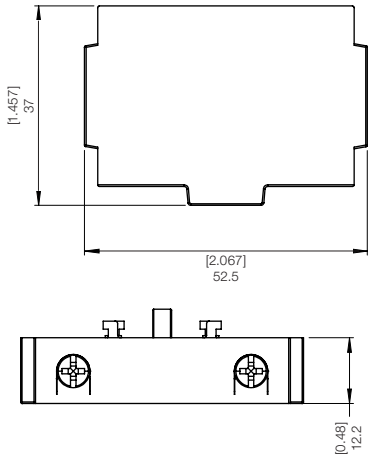
## MSWAC-160B1NO



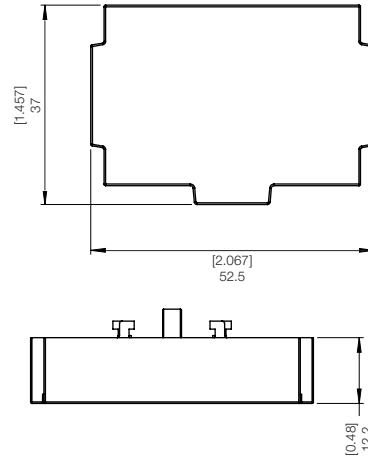
Note: dimensions in mm.

## Dimensions

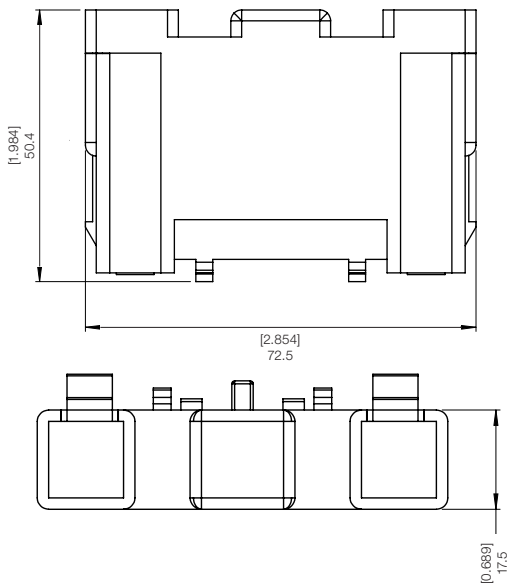
### MSW AP 25-B-1NA / MSW AP 40-B-1NA



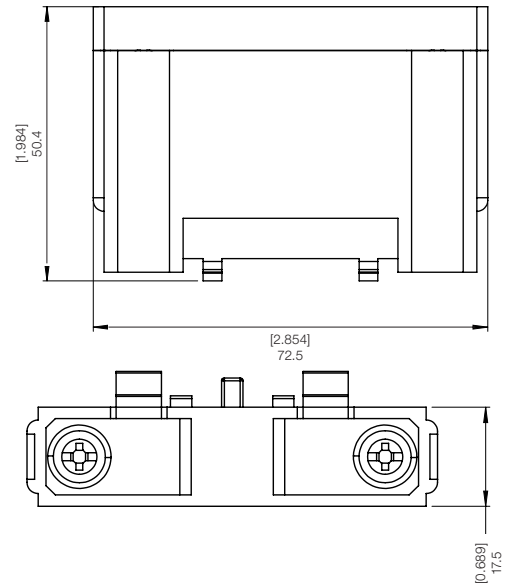
### MSW AP 25-P-1NA / MSW AP 40-P-1NA



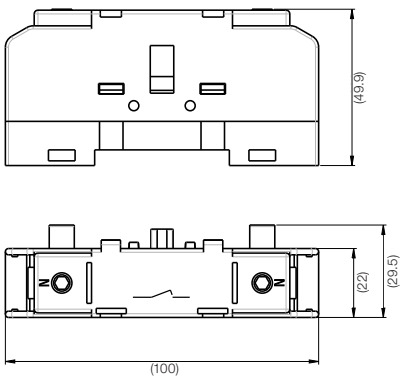
### MSW AP 63-B-1NA / MSW AP 80-B-1NA



### MSW AP 63-P-1NA / MSW AP 80-P-1NA

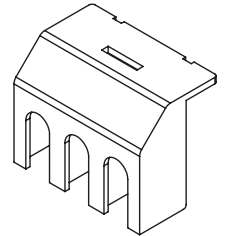
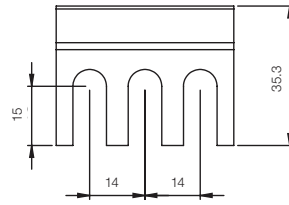
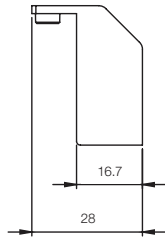
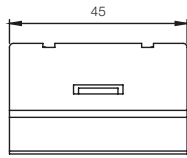


### MSW AP 160-B-1NA

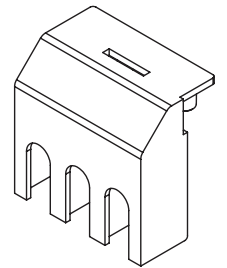
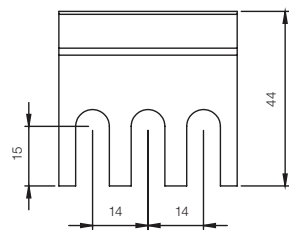
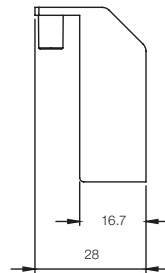
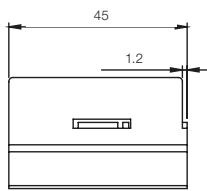


# Dimensions

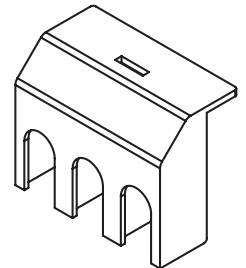
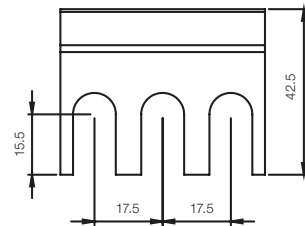
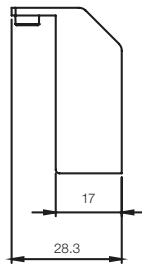
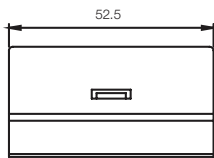
## MSW TS 40-B



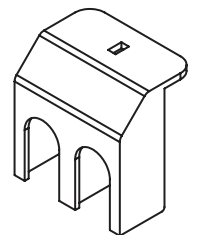
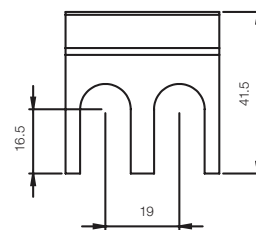
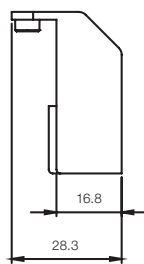
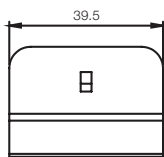
## MSW TS 40-P



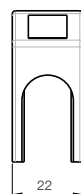
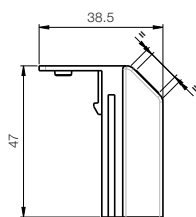
## MSW TS 80-B/P



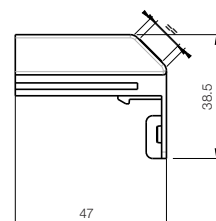
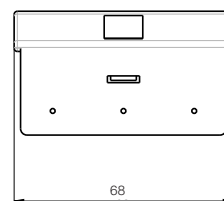
## MSW TS 100-P



## MSW TS 160-B/P-1



## MSW TS 160-B-3



Note: dimensions in mm.









# Global presence is essential, as much as understanding your needs.

## Global Presence

With more than 30.000 employees worldwide, WEG is one of the largest electric motors, electronic equipments and systems manufacturers. We are constantly expanding our portfolio of products and services with expertise and market knowledge. We create integrated and customized solutions ranging from innovative products to complete after-sales service.

WEG's know-how guarantees our **MSW Switch-Disconnectors** is the right choice for your application and business, assuring safety, efficiency and reliability.



**Availability** is to have a global support network



**Partnership** is to create solutions that suit your needs



**Competitive edge** is to unite technology and innovation



# Know More



High performance and reliable products to improve your production process.



Excellence is to provide a whole solution in industrial automation that improves our customers productivity.

Visit: [www.weg.net](http://www.weg.net)

 [youtube.com/wegvideos](https://youtube.com/wegvideos)

# WEG Worldwide Operations

## ARGENTINA

San Francisco - Cordoba  
Phone: +54 3564 421484  
[info-ar@weg.net](mailto:info-ar@weg.net)

Cordoba - Cordoba  
Phone: +54 3514 641366  
[weg-morbe@weg.com.ar](mailto:weg-morbe@weg.com.ar)

Buenos Aires  
Phone: +54 1142 998000  
[ventas@pulverlux.com.ar](mailto:ventas@pulverlux.com.ar)

## AUSTRALIA

Scoresby - Victoria  
Phone: +61 3 97654600  
[info-au@weg.net](mailto:info-au@weg.net)

## AUSTRIA

Markt Piesting - Wiener  
Neustadt-Land  
Phone: +43 2 633 4040  
[watt@wattdrive.com](mailto:watt@wattdrive.com)

Vienna  
Phone: +43 1 796 2048  
[wtr@weg.net](mailto:wtr@weg.net)

## BELGIUM

Nivelles - Belgium  
Phone: +32 67 888420  
[info-be@weg.net](mailto:info-be@weg.net)

## BRAZIL

Jaraguá do Sul - Santa Catarina  
Phone: +55 47 32764000  
[info-br@weg.net](mailto:info-br@weg.net)

## CHILE

La Reina - Santiago  
Phone: +56 2 27848900  
[info-cl@weg.net](mailto:info-cl@weg.net)

## CHINA

Nantong - Jiangsu  
Phone: +86 513 85989333  
[info-cn@weg.net](mailto:info-cn@weg.net)

Changzhou - Jiangsu  
Phone: +86 519 88067692  
[info-cn@weg.net](mailto:info-cn@weg.net)

Rugao - Jiangsu  
Phone: +86 513 80672011  
[zhuhua@weg.net](mailto:zhuhua@weg.net)

## COLOMBIA

San Cayetano - Bogota  
Phone: +57 1 4160166  
[info-co@weg.net](mailto:info-co@weg.net)

Sabaneta - Antioquia  
Phone: +57 4 4449277  
[info-co@weg.net](mailto:info-co@weg.net)

## ECUADOR

Pradera - Quito  
Phone: +593 2 3 922 129  
[wegecuador@weg.net](mailto:wegecuador@weg.net)

## FRANCE

Saint-Quentin-Fallavier - Isère  
Phone: +33 4 74991135  
[info-fr@weg.net](mailto:info-fr@weg.net)

## GERMANY

Türnich - Kerpen  
Phone: +49 2237 92910  
[info-de@weg.net](mailto:info-de@weg.net)

Balingen - Baden-Württemberg  
Phone: +49 7433 90410  
[info@weg-antriebe.de](mailto:info@weg-antriebe.de)

Nuremberg  
Phone: +49 911 239568 -700  
[info@tgmkanis.com](mailto:info@tgmkanis.com)

Homberg (Efze) - Hesse  
Phone: +49 5681 99520  
[info@akh-antriebstechnik.de](mailto:info@akh-antriebstechnik.de)

## GHANA

Accra  
Phone: +233 30 2766490  
[ghana@zestweg.com](mailto:ghana@zestweg.com)

## INDIA

Bangalore - Karnataka  
Phone: +91 080 46437450  
[info-in@weg.net](mailto:info-in@weg.net)

Hosur - Tamil Nadu  
Phone: +91 4344 301577  
[info-in@weg.net](mailto:info-in@weg.net)

## ITALY

Cinisello Balsamo - Milano  
Phone: +39 2 61293535  
[info-it@weg.net](mailto:info-it@weg.net)

## JAPAN

Yokohama - Kanagawa  
Phone: +81 45 5503030  
[info-jp@weg.net](mailto:info-jp@weg.net)

## MALAYSIA

Shah Alam - Selangor  
Phone: +60 3 78591626  
[info@wattdrive.com.my](mailto:info@wattdrive.com.my)

## MEXICO

Huehuetoca - Mexico  
Phone: +52 55 53214275  
[info-mx@weg.net](mailto:info-mx@weg.net)

Tizayuca - Hidalgo  
Phone: +52 77 97963790  
[info-mx@weg.net](mailto:info-mx@weg.net)

## NETHERLANDS

Oldenzaal - Overijssel  
Phone: +31 541 571080  
[info-nl@weg.net](mailto:info-nl@weg.net)

## PERU

La Victoria - Lima  
Phone: +51 1 2097600  
[info-pe@weg.net](mailto:info-pe@weg.net)

## PORTUGAL

Maia - Porto  
Phone: +351 22 9477700  
[info-pt@weg.net](mailto:info-pt@weg.net)

## RUSSIA and CIS

Saint Petersburg  
Phone: +7 812 363 2172  
[sales-wes@weg.net](mailto:sales-wes@weg.net)

## SOUTH AFRICA

Johannesburg  
Phone: +27 (0) 11 7236000  
[info@zestweg.com](mailto:info@zestweg.com)

Cape Town  
Phone: +27 (0) 21 507 7200  
[gentsets@zestweg.com](mailto:gentsets@zestweg.com)

Heidelberg  
Phone: +27 (0) 16 349 2683/4/5  
[wta@zestweg.com](mailto:wta@zestweg.com)

## SPAIN

Coslada - Madrid  
Phone: +34 91 6553008  
[info-es@weg.net](mailto:info-es@weg.net)

Valencia  
Phone: +34 96 1379296  
[info@autrial.es](mailto:info@autrial.es)

## SINGAPORE

Singapore  
Phone: +65 68589081  
[info-sg@weg.net](mailto:info-sg@weg.net)

Singapore  
Phone: +65 68622220  
[info-sg@weg.net](mailto:info-sg@weg.net)

## SCANDINAVIA

Mölnlycke - Sweden  
Phone: +46 31 888000  
[info-se@weg.net](mailto:info-se@weg.net)

## UK

Redditch - Worcestershire  
Phone: +44 1527 513800  
[info-uk@weg.net](mailto:info-uk@weg.net)

## UNITED ARAB EMIRATES

Jebel Ali - Dubai  
Phone: +971 4 8130800  
[info-ae@weg.net](mailto:info-ae@weg.net)

## USA

Duluth - Georgia  
Phone: +1 678 2492000  
[info-us@weg.net](mailto:info-us@weg.net)

Bluffton - Indiana  
Phone: +1 800 5798527  
[info-us@weg.net](mailto:info-us@weg.net)

Minneapolis - Minnesota  
Phone: +1 612 3788000  
[info-us@weg.net](mailto:info-us@weg.net)

Washington - Missouri  
Phone: +1 636-239-9300  
[wegwill@weg.net](mailto:wegwill@weg.net)

## VENEZUELA

Valencia - Carabobo  
Phone: +58 241 8210582  
[info-ve@weg.net](mailto:info-ve@weg.net)

For those countries where there is not a WEG own operation, find our local distributor at [www.weg.net](http://www.weg.net).



WEG Group - Automation Business Unit  
Jaraguá do Sul - SC - Brazil  
Phone: +55 47 3276 4000  
[automacao@weg.net](mailto:automacao@weg.net)  
[www.weg.net](http://www.weg.net)

