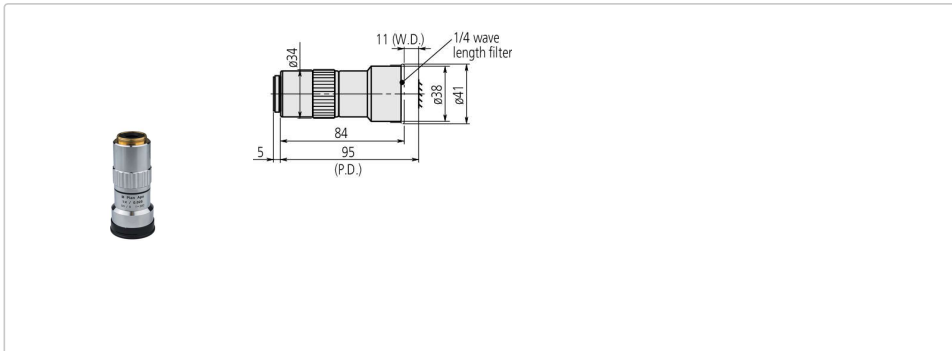




## M Plan Apo 1X

### Objective for bright-field observation in visible range

Item number: 378-800-12



#### Description

##### Features

- Long Working Distances
- Infinity Corrected
- Bright Field Inspection
- High Quality Plan Apochromat Design
- Flat Image Surface over Entire Field of View

#### Features

Model:	<b>M Plan Apo 1X</b>
N.A.:	<b>0.025</b>
W.D.:	<b>11 mm</b>
f:	<b>200 mm</b>
P.D.:	<b>95 mm</b>
R:	<b>11 mm</b>
FOV 1:	<b>ø24 mm</b>
FOV 2:	<b>4,8x6,4 mm</b>
Mass:	<b>300 g</b>
<b>Abbreviations in product table:</b>	<b>N.A.:</b> Numerical aperture <b>W.D.:</b> Working distance <b>P.D.:</b> Parfocal distance <b>f:</b> Focal distance <b>R:</b> Resolving power <b>D.F.:</b> Depth of field <b>FOV 1:</b> Field of view when using ø24 mm eyepiece <b>FOV 2:</b> Field of view when using a digital camera with 1/2" chip size
Remarks:	<b>11.2</b>
Working distance:	<b>In Air: 13/11 mm</b>
Corrected Wave Length:	<b>436-656 nm</b>
Functions:	<b>M Plan Apo for Bright Field Observation</b> <b>Compatible with microscope types VMU / FS-70 / MF-U / Hyper MF-U</b> <b>Note: Polarizing unit (378-074) is required when using 1X objective.</b>