

Datasheet - SD-2V-S-SK

Accessories SD interface / SD junction boxes (junction box for 2 components)



Preferred typ



(Minor differences between the printed image and the original product may exist!)

- for cabinet-mounting
- junction box for 2 components, with screw terminals
- is fitted onto a proper standard DIN rail to facilitate wiring in the control cabinet

Ordering details

Product type description	SD-2V-S-SK
Article number	101188436
EAN code	4030661352565
eCl@ss	27-27-24-91

Approval

Approval	VDE 0100
----------	----------

Global Properties

Product name	SD-Verteiler
Compliance with the Directives (Y/N) 	Yes
Protection rating	II
Materials	
- Material of the housings	Plastic, thermoplastic, self-extinguishing
Weight	200 g

Mechanical data

termination	Screw connection
Cable section	
- Min. Cable section	0,25 mm ²
- Max. Cable section	2.5 mm ²
notice	All indications about the cable section are including the conductor ferrules.

Ambient conditions

Ambient temperature

- Min. environmental temperature -25 °C
- Max. environmental temperature +70 °C

Storage and transport temperature

- Min. Storage and transport temperature -25 °C
- Max. Storage and transport temperature +85 °C

Relative humidity

30 % ... 95 %, non-condensing

Protection class

IP00

Air clearances and creepage distances To IEC/EN 60664-1

- Rated impulse withstand voltage U_{imp} 0,8 kV
- Overvoltage category III
- Degree of pollution 2

Electrical data

Rated insulation voltage U_i

32 VDC

Rated operating voltage U_e

24 VDC - 15 % / + 10 % (stabilised PELV)

Operating current I_e

16 A

Fuse rating for the operating voltage

3x Safety fuse, 2 A slow blow

Device insulation

16 A

Dimensions

Dimensions

- Width 92 mm
- Height 89.6 mm
- Depth 68.5 mm

notice

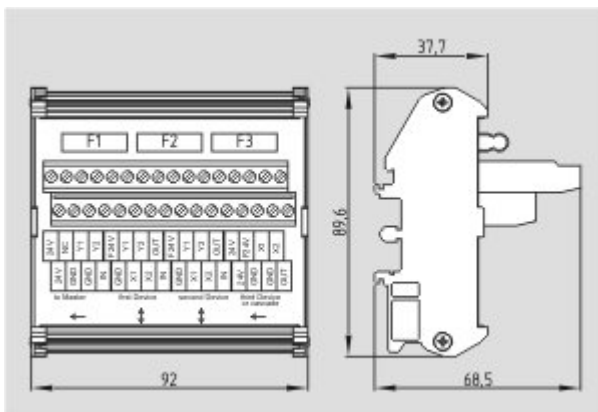
To each SD junction box, 2 (optionally 3) components can be connected.

Documents

Mounting and wiring instructions (fr, de, en) 271 kB, 06.03.2008

Code: m_sdv01

Images



Dimensional drawing (basic component)

K.A. Schmersal GmbH & Co. KG, Möddinghofe 30, D-42279 Wuppertal

The data and values have been checked thoroughly. Technical modifications and errors excepted.

Generiert am 30.05.2015 - 15:07:14h Kasbase 3.1.12.F.64l