

# Digital calipers with waterproof absolute scale: ABS Coolant Proof Caliper

•Patented •Patent pending •Registered design

Ideal for use in environments with heavy exposure to coolants.



500-752



Certificate of inspection

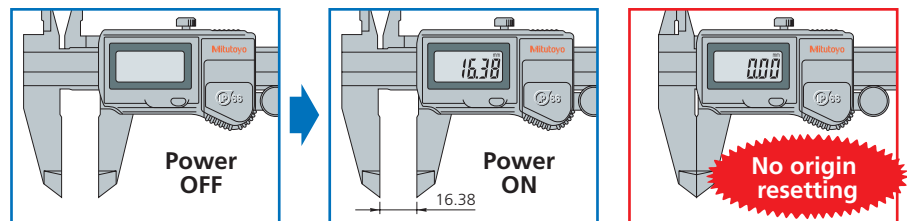


500-623

500-634

500-622

- The IP66/IP67 Coolant Proof Caliper incorporates a new length measuring system that provides protection level IP66/IP67 so the calipers can be used even in environments where large amounts of cutting oils are being sprayed from various directions (only vernier calipers could be used before).
- No need to wipe off water and oil from the main scale during use.
- Built-in ABS (absolute) scale means that these calipers are ready to use immediately after power-on without origin resetting.



- Auto power ON/OFF function.
- Measurement data output function is available with a water-resistant connection cable.
- Certificate of inspection\* is included.

\*It is not the type used to obtain calibration certificates.

## Order No. (IP66)

Order No.	Range	Order No.	Range
500-632	150mm	500-682	6"/150mm
500-637	150mm	—	—
500-633	200mm	500-683	8"/200mm
500-638	200mm	—	—
500-634	300mm	500-684	12"/300mm
500-639	300mm	—	—
500-622	150mm	500-672	6"/150mm
500-626	150mm	—	—
500-623	200mm	500-673	8"/200mm
500-627	200mm	—	—
500-624	300mm	500-674	12"/300mm
500-628	300mm	—	—

## Order No. (IP67)

Order No.	Range	Order No.	Range	Remarks
500-712	150mm	500-762	6"/150mm	with data output, with thumb roller
500-716	150mm	—	—	with data output, without thumb roller
500-713	200mm	500-763	8"/200mm	with data output, with thumb roller
500-717	200mm	—	—	with data output, without thumb roller
—	—	—	—	with data output, with thumb roller
—	—	—	—	with data output, without thumb roller
500-702	150mm	500-752	6"/150mm	without data output, with thumb roller
500-706	150mm	—	—	without data output, without thumb roller
500-703	200mm	500-753	8"/200mm	without data output, with thumb roller
500-707	200mm	—	—	without data output, without thumb roller
—	—	—	—	without data output, with thumb roller
—	—	—	—	without data output, without thumb roller

## Specifications

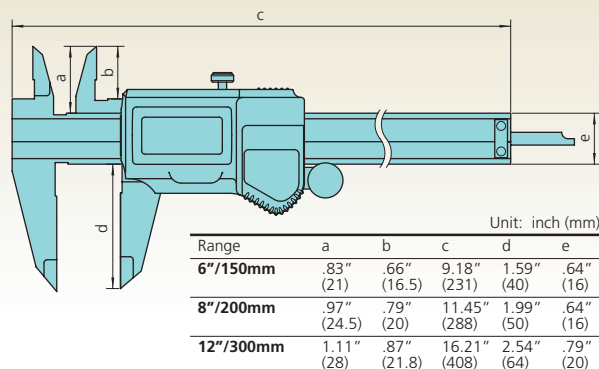
Resolution	.0005"/0.01mm, 0.01mm
Accuracy*1	±.001"/±0.02mm (≤8"/200mm), ±.0015"/±0.03mm (>8"/200mm)
Functions	Origin setting, Auto power ON/OFF*2, Measurement data output, Error reporting
Protection level	IP66 or IP67 (IEC60529), Anti-corrosion treatment is required after use
Power supply	One button-type silver oxide battery (SR44) (two batteries for 12"/300mm models)
Battery life	Three years under normal use conditions (one year for 12"/300mm models)
Length standard*3 encoder	Electromagnetic induction absolute linear encoder
Maximum response speed	Unlimited
Mass	168g (150mm), 198g (200mm), 350g (300mm)
Standard accessories	Button-type silver oxide battery (SR44, <b>No. 938882</b> ), and one screwdriver for battery replacement

\*1 Quantizing error ±1 count is not included.

\*2 Display automatically shuts off approximately 20 minutes after completing measurements.  
Power is automatically turned on when slider is moved.

\*3 Patented (in Japan and U.S.A.), patents pending (in China, Germany, United Kingdom, France,  
Switzerland, and India)

## Dimensions



## Optional accessories

### • Water-resistance connection cable\*4

1-meter cable: **No. 05CZA624**

2-meter cable: **No. 05CZA625**

Output switch



\*4 This connection cable is dedicated for Coolant Proof Caliper.

### • DP-1VR Digimatic Mini-Processor

**No. 264-504-5A**

(Data processing device  
for quality control applications)



### • Keyboard Input Tool

**No. 264-005**

### • RS232C Input Tool

**No. 264-007**

### • USB Input Tool

(Measurement data input device  
with USB keyboard signals)

**No. 262-012**

