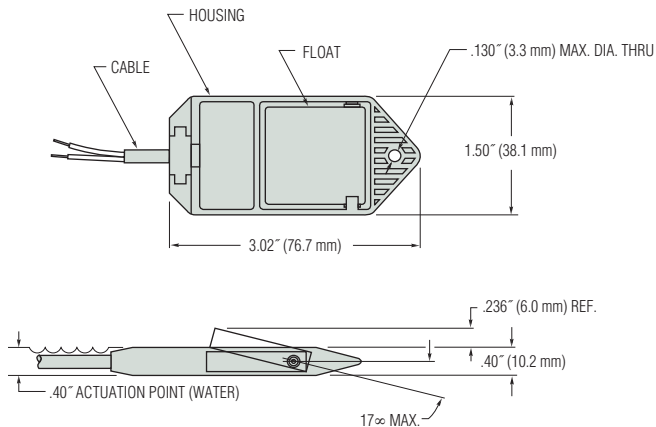


LS-10 Series – Slim Profile for Interstitial Liquid Sensing

The Gems LS-10 liquid sensor accurately detects the presence of liquid in fiberglass double-wall tanks, containment sumps and double-wall pipes. Dry contact switching ensures dependability throughout its long service life. This reusable sensor easily fits small, interstitial spaces and senses liquid hydrocarbons or water. The unit is unaffected by hydrocarbon vapor, thereby reducing the risk of false alarms.

The LS-10 sensor's rounded design makes it easy to remove, clean and reinstall after an alarm condition is triggered, or for maintenance.

Dimensions



Specifications

Wetted Materials:

Housing: Valox®

Float: Foamed Polyethylene with Solid Polyethylene Pin

Tape: UHB Double-Sided 3M Tape

Cable: PVC

Pressure: Atmospheric

Operating Temperature: -40°F to +176°F (-40°C to +80°C)

Accuracy: ±1/8 inch

Switch Rating: 10W, 50-100 VDC Resistive Only, N.C. (opens on rising)

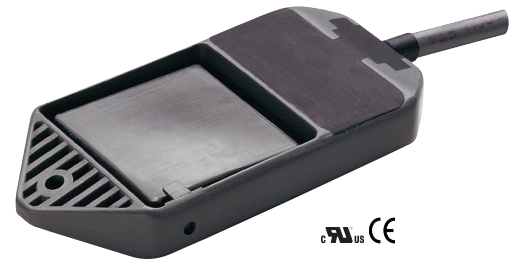
Cable: Two (2) Conductor PVC Jacketed 25 ft. Extended

Approvals: UL Recognized

How to Order – Select Part Number based on mounting option

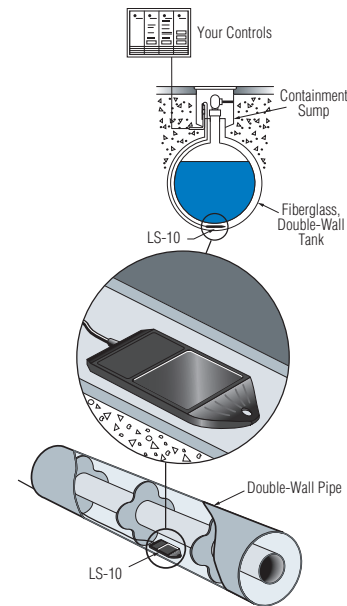
Series Number	Mounting Option	Part Number
LS-10	25' PVC Jacketed Cable	156000 ⚡

Note: The LS-10 sensor is a non-voltage producing device and does not contain energy storing components. However, since primary use is in hazardous locations, an appropriate intrinsically safe interface device is required for its use.



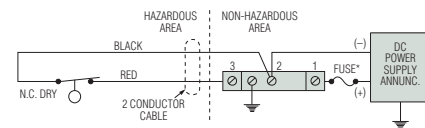
Typical Applications

- ▶ Fiberglass Double-Wall Tanks
- ▶ Double Wall Pipes
- ▶ Containment Sumps
- ▶ Piping Sumps

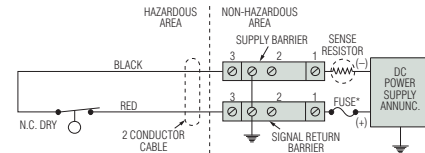


Typical Wiring Diagrams

Non-Isolated System—Single Zener Barrier

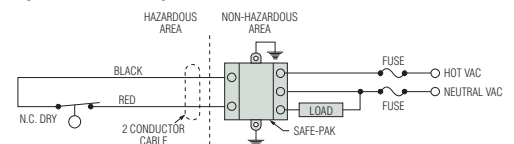


Isolated System - Dual Zener Barrier



If two signal lines must be maintained above ground potential, an individual zener barrier is required per single line.

Single Safe-Pak® Relay



Safe-Pak® is an intrinsically safe, solid state relay

LEVEL SWITCHES – SINGLE POINT