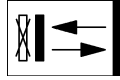
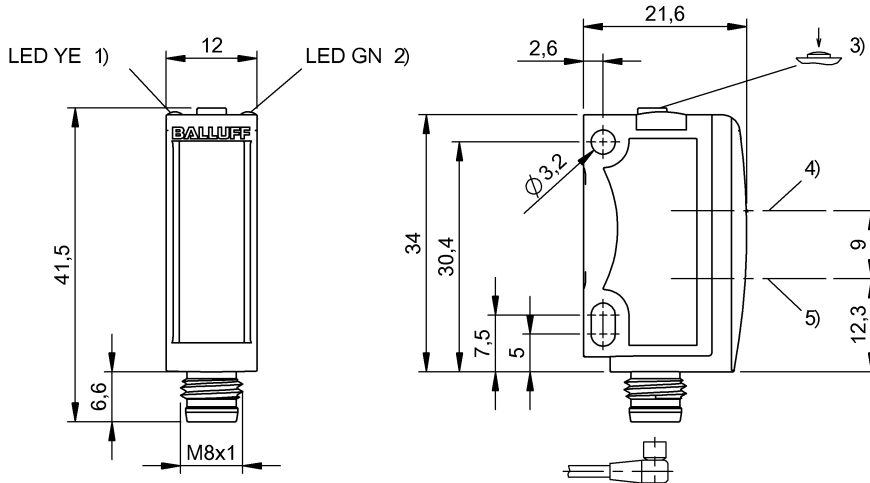


BOS 6K-PU-RH10-S75
Order code: BOS01KY

Photoelectric sensor
 Series 6K
 Light scanner, triangulation
 Sn = 200 mm, adjustable



DC, direct current
 PNP (1x)
 NO/NC: light-on/dark-on
 1,000 Hz
 LED, red light



1) Output function 2) Power 3) Sn, Light-on/Dark-on 4) Optical axis receiver 5) Optical axis emitter

Basic data

Operating voltage UB DC	10.0 V... 30.0 V
Eff. operating voltage Ue DC	24.0 V
Ripple max. (% of Ue)	12 %
No-load current max. Io at Ue	30 mA
Polarity reversal protected	yes
Indicator	Output function - LED YE Power - LED GN
Adjuster	Key (1x)
Setting	Light-on/dark-on Switching distance (Sn) Teach-in mode stand./dyn./obj.
Input function	Key disable on/off Same function as key
Ambient temperature Ta	-20 °C... 60 °C

Optical data

Principle of optical operation	Light scanner, triangulation
Optical special feature	Background suppression
Detection range Sd	1...200 mm
Light type	LED, red light
Wavelength	640 nm
Light spot size, typical	5 mm x 5 mm at focal point
Beam characteristic	Focus typ. at 50 mm
Ambient light max.	5,000 Lux

Electrical data

Eff. operating distance Sr	200 mm
Minimum operating distance	1 mm
Dist. dev. 18% max. (% of Sr)	5 %
Switching output	PNP (1x)
Switching function	NO/NC
Eff. operating current Ie	100 mA
Switching freq. f max. (at Ue)	1,000 Hz

Turn on time ton max.	0.50 ms
Turn off time toff max.	0.50 ms
Voltage drop Ud max. (at Ie)	2.4 V
Short circuit protected	yes

Mechanical data

Style	Block, 90° connection
Dimensions	12.0 mm x 21.6 mm x 41.5 mm
Mounting type	Screw M3
Housing material	ABS
Sensing face material	PMMA
Degree of protec. per IEC60529	IP67
Degree of protec. per DIN40050	IP69K
Connection type	Connector
Connector type	M8x1-S75

Approval

Approvals / Conformity	CE cULus
------------------------	-------------

Remarks

Basic standard IEC 60947-5-2
 The sensor is functional again after the overload has been eliminated.
 Reference object (target): Gray card, 200 x 200, 90 % remission, axial approach.
 Only for NFPA 79 applications (machines with a supply voltage of maximum 600 volts). Device shall be connected only by using any R/C (CYJV2) cord, having suitable ratings.
 For additional information, refer to user's guide.
 Order accessories separately.
 Do not press key using a pointed tool.
 For use as UL listed product the Ambient temperature Ta max. may not exceed the value of 50°C.

000000118091/226349/20140718

BOS 6K-PU-RH10-S75
Order code: BOS01KY

Photoelectric sensor
Series 6K
Light scanner, triangulation
Sn = 200 mm, adjustable

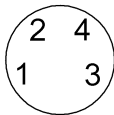
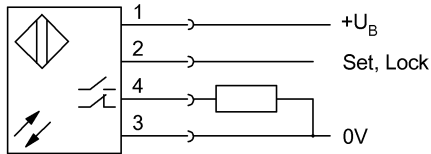
DC, direct current
PNP (1x)
NO/NC: light-on/dark-on
1,000 Hz
LED, red light

BALLUFF
sensors worldwide



Definitions see general catalog

Subject to change without notice.



000000118091/226349/20140718