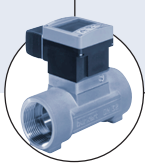




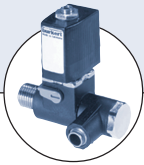
- with integrated AS-Interface connection
- Quick and robust installation
- Simple commissioning and error identification with LED status display

Type 2510/2511 ASI can be combined with ...



Type 8032

Sensor



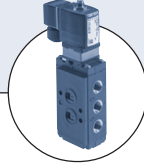
Type 6012

Pilot valve



Type 6213

Solenoid valve



Type 6519 NAMUR

Pneumatic valve

The ASI cable plug consist of a polyamide body with an integrated slave electronics and a connector configuration according to DIN EN 175301-803* Form C (Typ 2510) or Form A (Typ 2511). These plugs connect binary elements with the corresponding tag connectors, e.g., valves, to the AS-interface. In addition, feedback signals can be received by the variants with the M12 socket in the cover. With the M12 connectors, the installation times are quick and the electrical connection is simple.

The advantages with ASI cable plug

- Robust and quick installation according to the AS-interface specification.
- LED status displays facilitate commissioning and fault finding.
- Bus supply: Transmission of signals and supply voltage on a common line.
- External supply: transmission of signals and supply voltage on separate lines (such as Emergency Stop or elements with high current consumption).

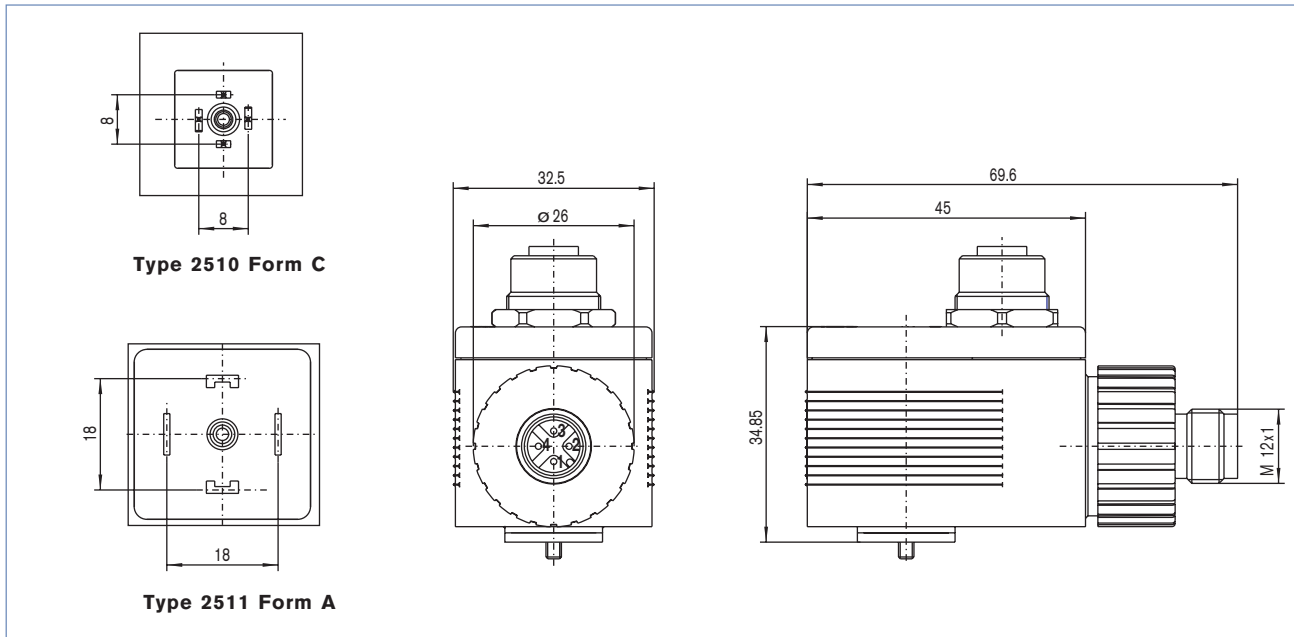
Mechanical data	
Body material	Polyamide
Body cover	Polysulphone, translucent
Contact material	Brass, electro-silver-plated
Contact distance	8 mm with Form C 18 mm with Form A
Electrical data	
Operating voltage	29.5 ... 31.5 V acc. to ASI specifications
max. current Electronics Bus-supplied	from the AS-Interface only 10 mA 300 mA (electronics, valves, sensors) 80 mA (electronics, sensors)
External supplied	80 mA (electronics, sensors)
Electrical connection on cable device side	M12 plug Cable plug for tag connector acc. to DIN EN 175301-803* Form A or C
M12 socket	4-pin for feedback device
Output voltage	24 V ±10 %
Outputs max. output current bus supplied	short-circuit proof 205 mA, without inputs 125 mA, with inputs
external supply	700 mA

Electrical data (Continued)	
Outputs max. switching power bus supplied	5 W, without inputs 3 W, with inputs 15 W
external supply	
Inputs Input connection	optional 3-wire voltage sensors PNP 2-wire voltage sensors
Supply voltage Sensor max. sensor current	24 V ±20 % over ASI 60 mA for 2 sensors (for example 30 mA for each)
High signal Low signal max. sensor current	≥10 V ≤1.5 mA ≤6.5 mA
General data	
Operational display LED	yellow or green
Watchdog function	integrated
Ambient temperature	0 ... +50 °C
Soiling level	3 acc. to DIN VDE 0110 part 1
Protection class	IP65
Certification	trough AS Internal Association (no. 32001, 32002)

* So far DIN 43650

Dimensions [mm]

Appliance socket, with receptacle for feedback element, with translucent cover



LED status display

Display	LED colour	LED status	Information
OUT	yellow	off on	not switched switched
BUS	green	off on blinking	Power OFF OK Slave Address 0
IN 1 / IN2 (Inputs LED)	yellow	off on	not switched switched
Ext. Power	green	on	24 V Power supply

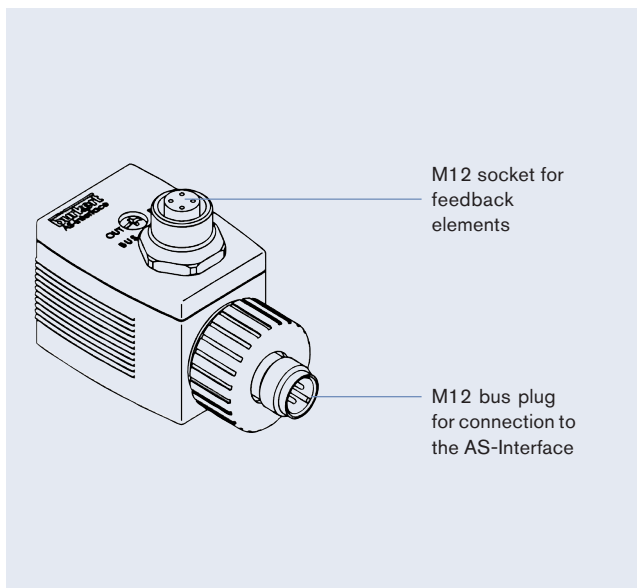
Programming data

Parameter	Coding
I/O configuration	B hex (1 output, 2 inputs)
ID code	F hex
Preset address	0

Assignment of the data bits

Data bit	Assign	Remarks
D3	IN1	Model with acceptance
D2	IN2	of feedback elements.
D1	-	
D0	OUT	

AS-Interface socket with M12 bus plug



PIN configuration of M12 bus plug



- 1 AS-Interface+
- 2 0 V ¹⁾
- 3 AS-Interface-
- 4 24 V ¹⁾

¹⁾ only for externally supplied appliance sockets

PIN configuration of M12 socket for feedback elements



- 1 +24 V
- 2 Sensor 2
- 3 0 V
- 4 Sensor 1


Ordering chart (other versions on request)

Voltage	Receptacle for feedback element via M12 socket	Item no. Type 2510 Form C	Item no. Type 2511 Form A
Bus supplied	without	142 693	142 695
	with	142 692	142 694
External supply	without	142 689	142 690
	with	142 688	142 691




- All layout diagrams for appliance sockets acc. to DIN EN 175301-803* Form C or Form A.
- The delivery of an AS-Interface appliance socket includes the seal and the fixing screw.

* So far DIN 43650

Ordering charts accessories

Designation	Use	Item no.
 M12 T-Connector	For the connection of the bus-supplied appliance socket to the AS-Interface (yellow ribbon cable)	787 350

Ordering charts accessories (Continued)

	Designation	Use	Item no.
	AS-Interface tap with 2 m round cable (2x1.5 mm ²)	Connection for the AS-Interface ribbon cable via the round cable (bus-supplied)	784 756
	AS-Interface tap with 1.5 m round cable (5x0.5 mm ²)	Connection for the yellow and black AS-Interface ribbon cable via round cable	784 758
	M12 plug with PG7 screw fitting; 5-pole	Plugs always in connection with one the AS-Interface taps ordering.	917 116

Other accessories on request:

- Y-shaped distributor for connection of the feedback element (2M8 to M12 and/or M12 to M12) in various lengths
- AS-Interface ribbon cable
- AS-Interface Master, Gateways
- AS-Interface power units

DTS 1000010989 EN Version: C Status: RL (released | freigegeben | valide) printed: 30.06.2006

To find your nearest Burkert facility, click on the orange box →

www.burkert.com

In case of special application conditions,
please consult for advice.

We reserve the right to make
technical changes without notice.

12_2004_A_00891686