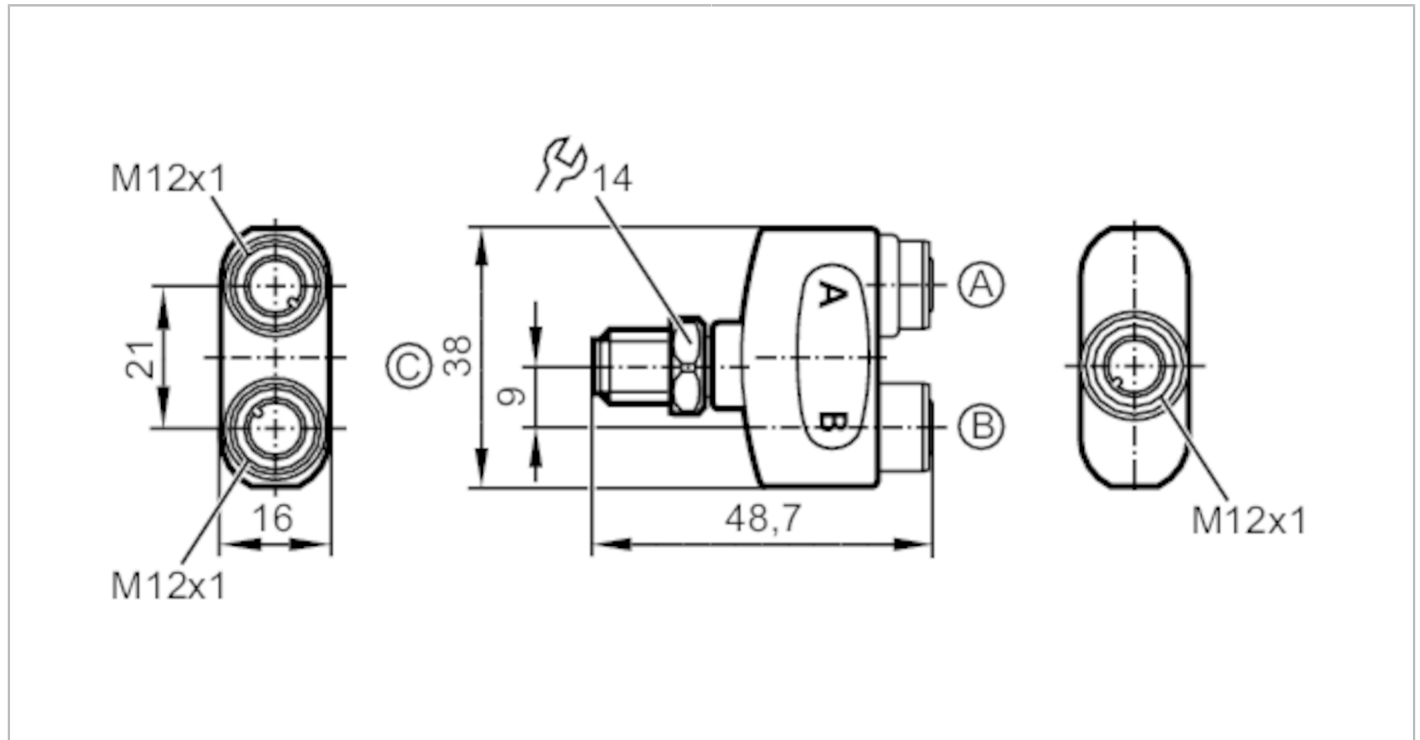


EBT006



Y-splitter

ZDO2H030VAS0000-00STGH040VAS



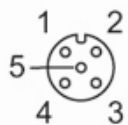
Application	
Free from silicone	yes
Electrical data	
Operating voltage [V]	< 250 AC / < 300 DC
Protection class	II
Max. current load per module/slot [A]	4
Max. current load total [A]	4
Operating conditions	
Ambient temperature [°C]	-25...100
Protection	IP 65; IP 67; IP 68; IP 69K
Mechanical data	
Weight [g]	35
Materials	housing: PA orange; Sealing: EPDM
Material nut	stainless steel (1.4404 / 316L) / stainless steel (1.4404 / 316L)
Remarks	
Pack quantity	1 pcs.
Electrical connection - socket	
Connector: 2 x M12; Locking: , stainless steel (1.4404 / 316L); Kontakte: gold-plated; Tightening torque: 0.6...1.5	

EBT006



Y-splitter

ZDO2H030VAS0000-00STGH040VAS

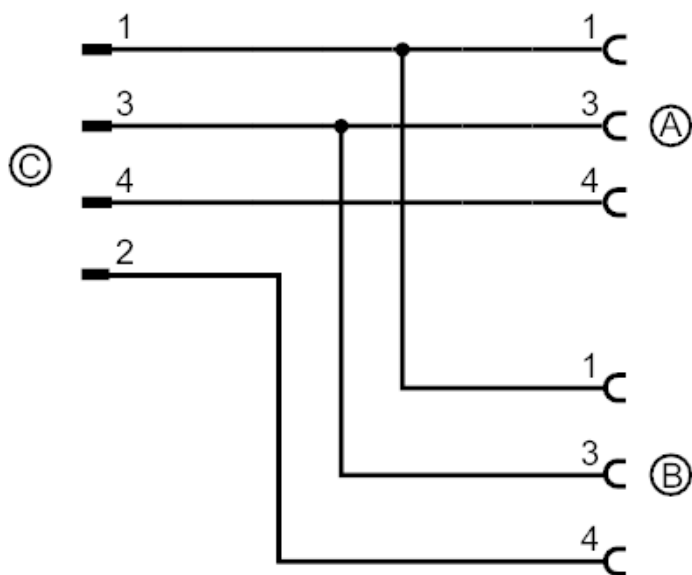


Electrical connection - plug

Connector: 1 x M12; Locking: , stainless steel (1.4404 / 316L); Kontakte: gold-plated; Tightening torque: 0.6...1.5



Connection



connection to IEC 61076-2-101