

**Basic features**

<b>Approval/Conformity</b>	CE cURus EAC WEEE
----------------------------	----------------------------

**Electrical connection**

<b>Cable diameter (2nd sleeve)</b>	4...5 mm
<b>Cable diameter D</b>	2.1...3 mm
<b>Connection</b>	M12x1-Male, Straight, 5-pin, A-coded
<b>Number of connectable contacts</b>	5
<b>System</b>	Can be fabricated

**Electrical data**

<b>Operating voltage <math>U_b</math></b>	125 VDC / 125 VAC
<b>Rated current (40 °C)</b>	4.0 A

**Remarks**

Enclosure rating per IEC 60529, only in screwed state with the associated mating piece.  
 Includes 2 seal rings for 2 cable connections

**Environmental conditions**

<b>Ambient temperature</b>	-40...85 °C
<b>IP rating</b>	IP67

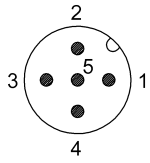
**Material**

<b>Material contact carrier</b>	PA
<b>Material contacts</b>	Brass
<b>Material cover nut</b>	Die-cast zinc
<b>Material grip</b>	PA

**Mechanical data**

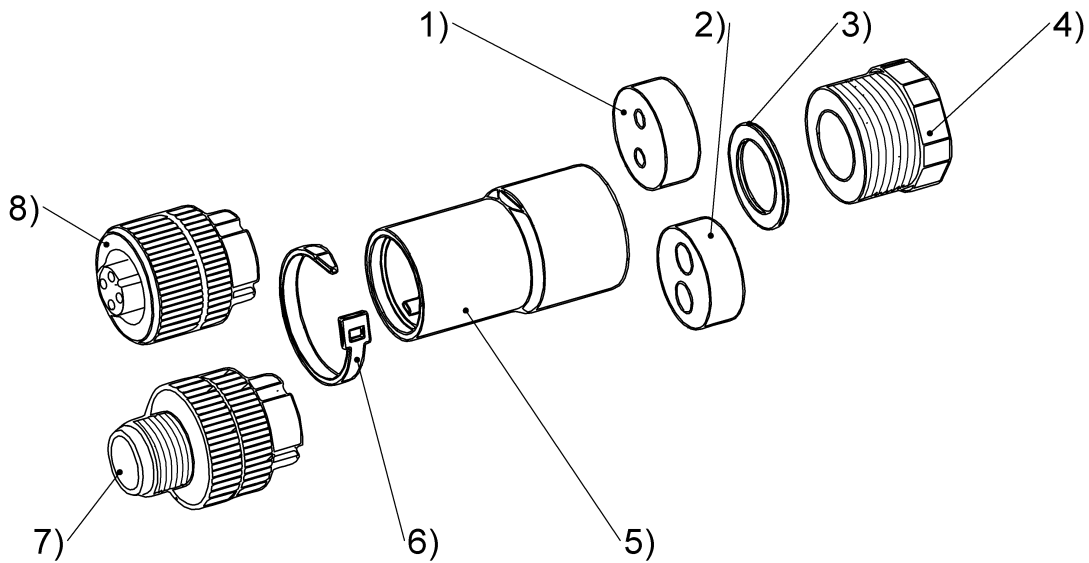
<b>Connection cross-section</b>	0.14...0.75 mm <sup>2</sup>
<b>Tightening torque pigtail</b>	0.6 Nm
<b>Type of wire mounting</b>	Screw terminals

## Connector Drawings



PIN 1-5 usable

## Help Views



- 1) Seal for cable Ø 2,1-3,0 mm
- 2) Seal for cable Ø 4,0-5,0 mm
- 3) Thrust collar
- 4) Pressing screw
- 5) Sleeve
- 6) Cable tie
- 7) Male insert
- 8) Female insert