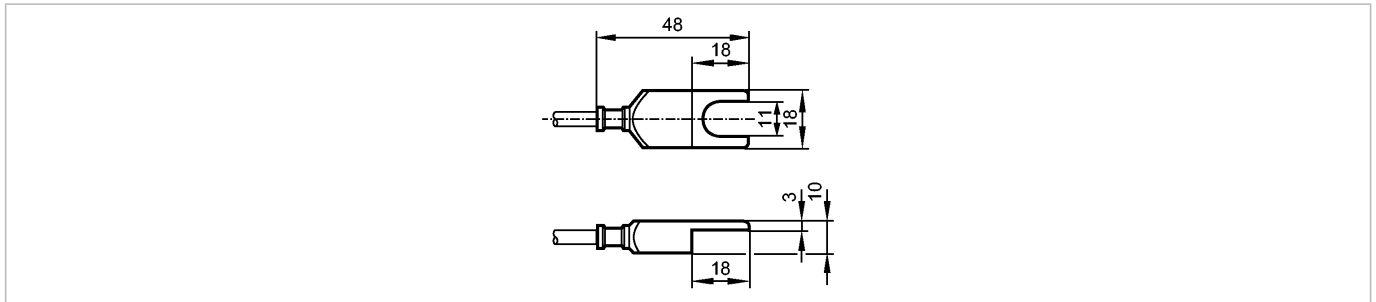


TS502A

TS-500KEKD06...../5M/3D/3G

Temperature sensors



Product characteristics

Temperature sensor for connection to evaluation units
Bolt-on sensor 10 x 18 x 48 mm
Cable
ATEX approval
Group II, category 3D/3G
Measuring range: -20...115 °C / -4...239 °F, Measuring range for non-ATEX applications: -20...150 °C / -4...302 °F
Measuring element: 1 x Pt 1000, to DIN EN 60751, class A

Application

Application	Contact sensor for solid bodies
-------------	---------------------------------

Electrical data

Protection class	III
------------------	-----

Measuring / setting range

Measuring range	-20...115 °C	-4...239 °F
Measuring range for non-ATEX applications	-20...150 °C / -4...302 °F	

Accuracy / deviations

Accuracy	± (0.15 K + 0.002 x t)
----------	--------------------------

Reaction times

Dynamic response	T05 / T09 [s]	18 / 42
------------------	---------------	---------

Environment

Protection	IP 67
------------	-------

Tests / approvals

Marking of the unit	Ex II 3D Ex tc IIIC T135°C Dc X Ex II 3G Ex nA IIC T4 Gc X
---------------------	---

Mechanical data

Housing materials	stainless steel 316Ti / 1.4571
Weight [kg]	0.239

Electrical connection

Connection	silicone cable / 5 m
------------	----------------------

Wiring

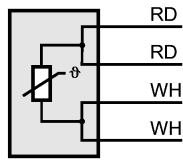


TS502A

TS-500KEKD06...../5M/3D/3G

Temperature sensors

Core colors
RD red
WH white



Remarks

Pack quantity	[piece]	1
---------------	---------	---