



SOCKET
HR7X

Product designation

Product type designation

Contact characteristics

Rated insulation voltage U_i IEC/EN

V 250

Rated impulse withstand voltage U_{imp}

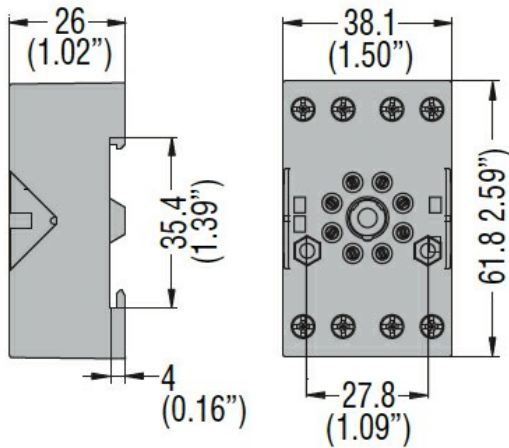
kV 4

Mechanical features

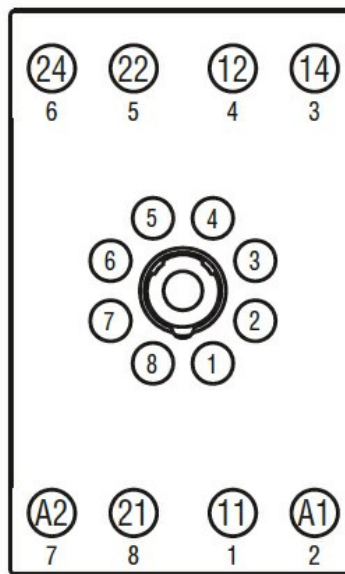
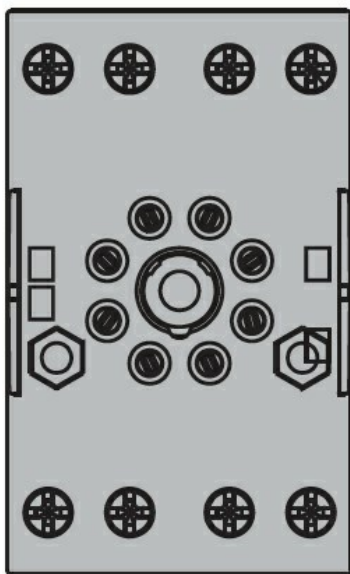
Fixing

On 35mm DIN
rail and with
screw

Dimensions



Wiring diagrams



Certifications and compliance

Compliance

IEC/EN 61810

Certificates

CSA

cURus

EAC

ETIM classification

ETIM 8.0

EC001456 -
Relay socket