

Datasheet - AZM 161-B1-1747 WITH MAGNETIC LATCH



Solenoid interlock / AZM 161 / Actuator

Preferred typ



(Minor differences between the printed image and the original product may exist!)

Ordering details

Product type description	AZM 161-B1-1747 MIT HAFTMAGNET
Article number	101164100
EAN code	4030661293097
eCl@ss	27-27-92-16

Global Properties

Product name	Gerader Betätiger B1-1747 mit Haftmagnet
Weight	35 g

Mechanical data

Design of actuators	straight, rigid
Minimum actuating radius	150 mm

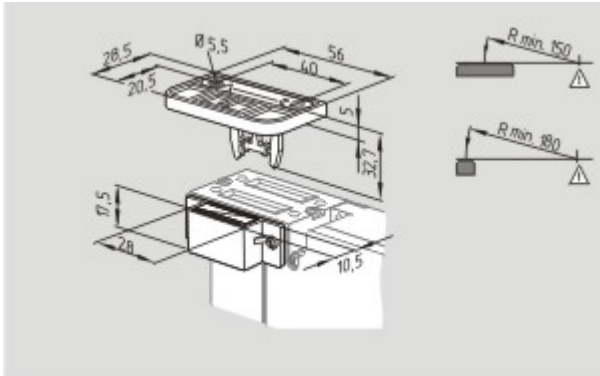
notice

On hinged guards, minimum actuating radius at 90° to the plane of the actuator 150 mm
minimum actuating radius on hinged guards in line with the plane of the actuator 150 mm

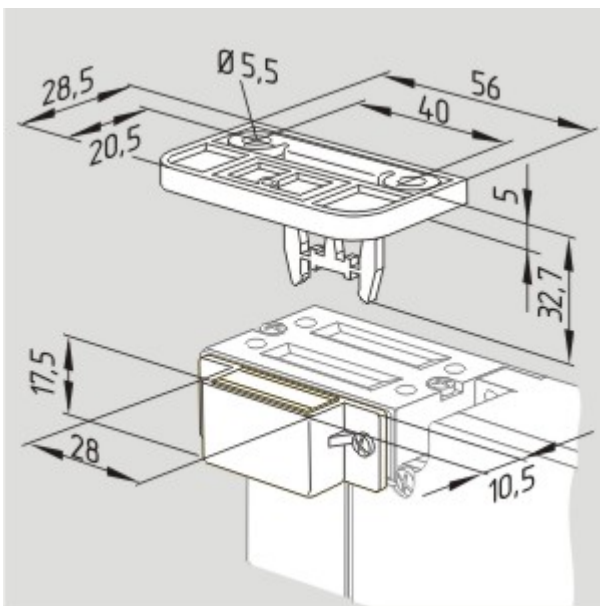
Documents

Mounting and wiring instructions (de, en, fr, it, es, jp) 203 kB, 08.07.2008

Images



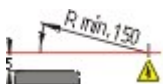
Dimensional drawing (miscellaneous)



Dimensional drawing (miscellaneous)



Actuating radius



Actuating radius