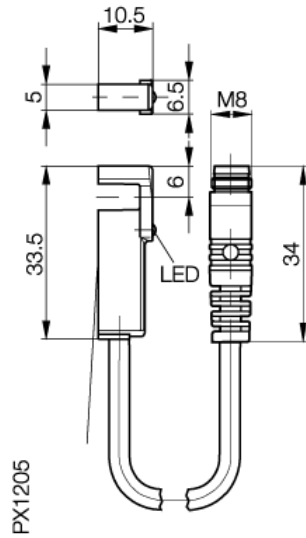


BMF 305K-PS-C-2-S49-00,2

Magnetic Field Sensors

BALLUFF

sensors worldwide



Electrical data:

Connection	cable with connector
Rated Operational Voltage (UB)	24 DC V
Rated Operating Current (Ie)	200 (150/70°C) mA
Electrical type	DC
Utilization category	DC 13
No-load supply current max.	15,00 mA
Off-state current max (Ir)	80.0 µA
Ripple of power supply	15.0 %
Switching output	PNP
Switching element function	NO
Voltage drop static max	3.1 V
Supply voltage max. (UB)	30.0 V
Supply voltage min. (UB)	10.0 V
Rating oper. field strength Hn	1,2 KA/m
Assured operat. field strength	2 KA/m

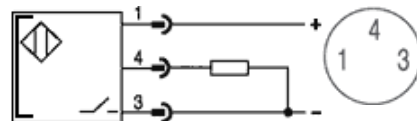
Mechanical data:

Ambient temperature max	70 °C
Ambient temperature min	-25 °C
Sensing face material	PU
Housing material	LCP
Temperature drift max (of Hn)	0.3 %

General data:

Function indication	yes
Short circuit protected	yes
Degree of protection IP	IP67
Polarity reversal resistant	yes
Approval	CE, cULus

wiring



www.balluff.com

Balluff Europe: +49 7158 173 -0
Balluff USA: 1-800-54 3-83 90
Balluff Asia: +86 21-50 64 41 31

Online Productinformation
2008-01-15