

ABSOLUTE Digimatic Indicator ID-S

Series 543

This is a standard model of indicator that is reliable and easy to use. The ABSOLUTE Digimatic Indicator ID-S offers you the following benefits:

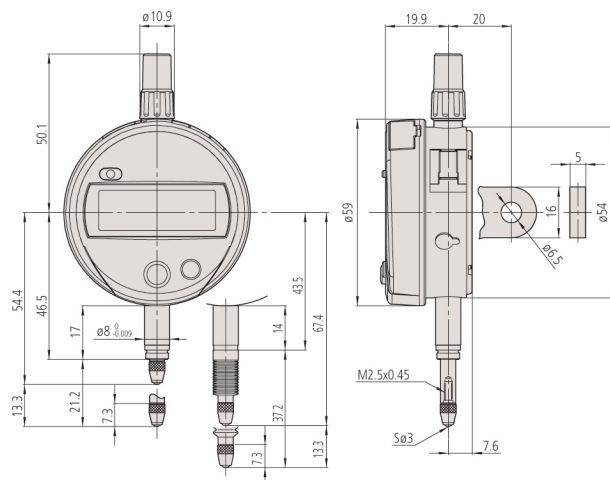
- The ABSOLUTE sensor means you don't have to carry out origin setting every time you power it on, saving you time and hassle.
- You can access all functions by using the large, user-friendly buttons on the front of the indicator.
- Large character height of 9mm provides good readability.
- Exceptional battery life.



Metric

No.	No. Lug back plate	Range [mm]	Digital step	Accuracy	Remarks	Measuring force [N]	Mass Lug/flat [g]
543-781B	543-781	12.7	0,01 mm	0,02 mm	IP42	≤ 1,5	140/150
543-790B	543-790	12.7	0,001 mm	0,003 mm	IP42	≤ 1,5	140/150
543-794B	543-794	12.7	0,001 mm	0,003 mm	IP53	≤ 2,5	140/150

No. with "B": Flat back plate



Functions	Series 543
ORIGIN (ABS-Zero)	●
Digimatic data output	●
ON/OFF	●
Counting direction switchable	●

Specifications

Accuracy	Refer to the list of specifications (excluding quantizing error)
Scale	Capacitance type, ABSOLUTE linear encoder
Stem Ø	8 mm
Max. response speed	Unlimited
Contact point	Carbide ball, thread M 2.5 x 0.45 mm
Alarm	Low voltage, counting value composition error
Power supply	1 battery SR-44
Battery life	approx. 18.000 hours (0,001 mm type) approx. 20.000 hours (0,01 mm type)
Display	LCD, character height 9 mm

Optional accessories

No.	Description
21EZA198	Spindle lifting lever (12,7 model)
540774	Spindle lifting cable
21EZA105	Spindle lifting knob (12,7 models)
238774°	Silicon rubber boot
Digimatic Signal Cables	
905338	Digimatic cable (1 m)
905409	Digimatic cable (2 m)
02AZD790F	Connecting cable U-Wave
06ADV380F	USB Input Tool Direct cable (2 m)

For USB Input Tool Direct cable: a footswitch (no. 937179T), a USB-footswitch adapter (no. 06ADV384) and USB-ITPAK Software (no. 06ADV386) are required.

Consumable spares

No.	Description
901312	Standard contact point
938882	Battery SR44
02ACA376°	Rubber boot (NBR rubber)



21EZA198



540774



21EZA105
°only for IP53 model