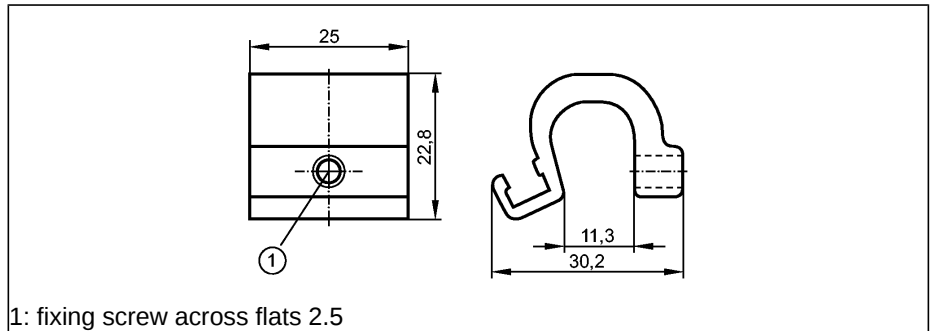


Accessories

**E11797**

Adapter for tie rod / integrated profile cylinders



1: fixing screw across flats 2.5

Made in Germany

Design	for types MKT (T-slot cylinder sensors)
Clamping range [mm]	5...11
Housing materials	aluminium; screw: stainless steel
Weight [kg]	0.018