

- Indicate the presence or absence of a pneumatic signal
- Wide angle of visibility
- Contrasting colour combinations for positive identification
- Range of colours available
- Sealed units

**Pneumatic Visual Indicators
10-32 UNF****Technical Data****Medium:**

Compressed air, filtered, dry or lubricated

Operation:

Visual indicator, diaphragm operated

Mounting:

Panel, fits standard $\varnothing 17$ mm knockout hole

Connection:

10-32 UNF connector for $\frac{1}{16}$ " i.d. tube supplied

Operating Pressure:

0,7 - 1 bar

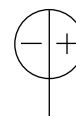
Operating Temperature:

+2°C* to +66°C

*Consult our Technical Service for use below +2°C

Alternative Models

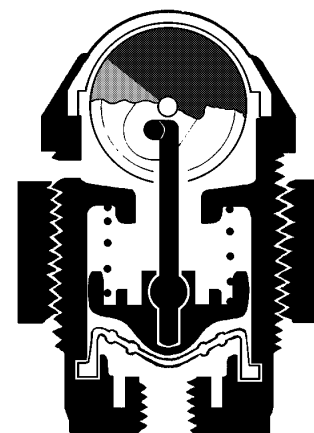
High pressure Rotowinks, see page 10.4.021.01

**Materials**

Moulded plastic body and internal components, steel spring, synthetic rubber diaphragm.

Ordering Information

To order, quote model number from table overleaf, e.g.
5VS-130-000 for the amber unactuated, black actuated model.





General Information

Model	Unactuated colour	Actuated colour	Weight (kg)	Spares kit
5VS-101-000	Black	Red	0,007	Not available
5VS-102-000	Black	Green	0,007	Not available
5VS-103-000	Black	Amber	0,007	Not available
5VS-110-000	Red	Black	0,007	Not available
5VS-112-000	Red	Green	0,007	Not available
5VS-120-000	Green	Black	0,007	Not available
5VS-121-000	Green	Red	0,007	Not available
5VS-130-000	Amber	Black	0,007	Not available

The colour in the actuated condition is indicated by a dot on the body

Warning

These products are intended for use in industrial compressed air systems only. Do not use these products where pressures and temperatures can exceed those listed under 'Technical Data'.

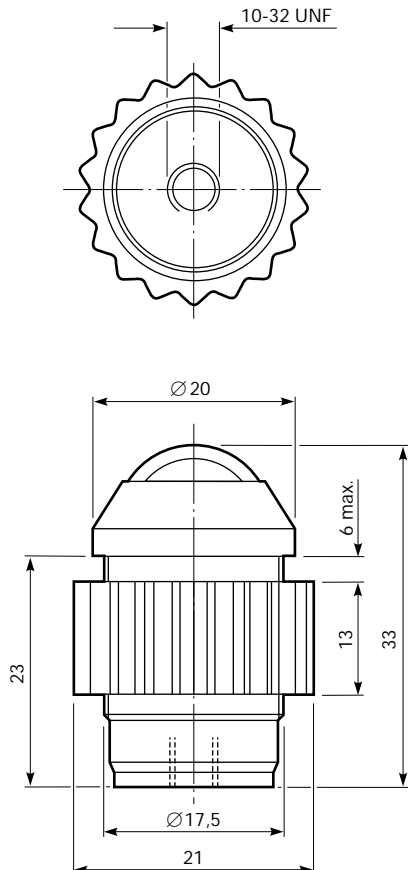
Before using these products with fluids other than those specified, for non-industrial applications, life-support systems, or other applications not within published specifications, consult NORGREN MARTONAIR.

Through misuse, age, or malfunction, components used in fluid power systems can fail in various modes. The system designer is warned to consider the failure modes of all component parts used in fluid power systems and to provide adequate safeguards to prevent personal injury or damage to equipment in the event of such failure.

System designers must provide a warning to end users in the system instructional manual if protection against a failure mode cannot be adequately provided.

System designers and end users are cautioned to review specific warnings found in instruction sheets packed and shipped with these products.

Rotowink



Model Number: **5VS-101-000**
Colour: Black/Red

Model Number: **5VS-102-000**
Colour: Black/Green

Model Number: **5VS-103-000**
Colour: Black/Amber

Model Number: **5VS-110-000**
Colour: Red/Black

Model Number: **5VS-112-000**
Colour: Red/Green

Model Number: **5VS-120-000**
Colour: Green/Black

Model Number: **5VS-121-000**
Colour: Green/Red

Model Number: **5VS-130-000**
Colour: Amber/Black

Panel Hole: $\varnothing 17,5$ mm

Panel Thickness: 6 mm maximum

- Indicate the presence or absence of a pneumatic signal
- Wide angle of visibility
- Contrasting colour combinations for positive identification
- Range of colours available

Pneumatic Visual Indicators G¹/₈



Technical Data

Medium:

Compressed air, filtered, dry or lubricated

Operation:

Visual indicator, diaphragm operated

Mounting:

Panel

Connection:

G¹/₈

Operating Pressure:

0,7 - 8,6 bar full actuation

0 - 0,14 bar full de-actuation

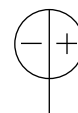
Operating Temperature:

+2°C* to +66°C

*Consult our Technical Service for use below +2°C

Alternative Models

Low pressure Rotowinks, see page
10.4.011.01

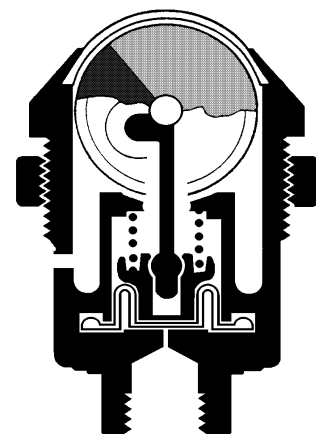


Materials

Moulded plastic body and internal components, brass connector, steel spring, synthetic rubber diaphragm.

Ordering Information

To order, quote model number from table overleaf, e.g.
5VS-430-800 for the amber unactuated, black actuated model.





General Information

Model	Unactuated colour	Actuated colour	Weight (kg)	Spares kit
5VS-401-800	Black	Red	0,035	Not available
5VS-402-800	Black	Green	0,035	Not available
5VS-403-800	Black	Amber	0,035	Not available
5VS-410-800	Red	Black	0,035	Not available
5VS-412-800	Red	Green	0,035	Not available
5VS-420-800	Green	Black	0,035	Not available
5VS-421-800	Green	Red	0,035	Not available
5VS-430-800	Amber	Black	0,035	Not available

The colour in the actuated condition is indicated by a dot on the body

Warning

These products are intended for use in industrial compressed air systems only. Do not use these products where *pressures* and *temperatures* can exceed those listed under 'Technical Data'.

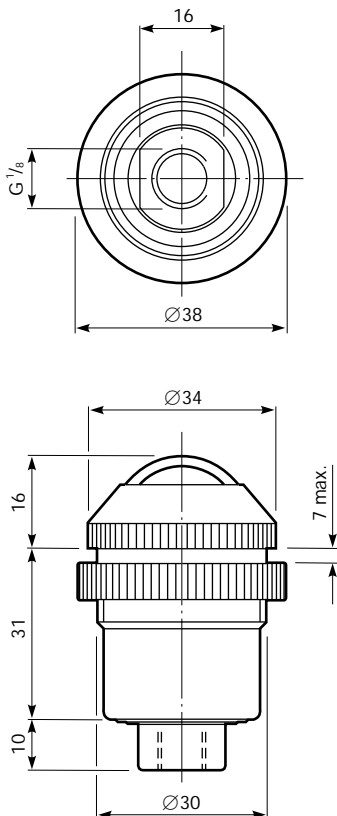
Before using these products with fluids other than those specified, for non-industrial applications, life-support systems, or other applications not within published specifications, consult NORGREN MARTONAIR.

Through misuse, age, or malfunction, components used in fluid power systems can fail in various modes. The system designer is warned to consider the failure modes of all component parts used in fluid power systems and to provide adequate safeguards to prevent personal injury or damage to equipment in the event of such failure.

System designers must provide a warning to end users in the system instructional manual if protection against a failure mode cannot be adequately provided.

System designers and end users are cautioned to review specific warnings found in instruction sheets packed and shipped with these products.

Rotowink



Model Number: **5VS-401-800**
Colour: Black/Red

Model Number: **5VS-402-800**
Colour: Black/Green

Model Number: **5VS-403-800**
Colour: Black/Amber

Model Number: **5VS-410-800**
Colour: Red/Black

Model Number: **5VS-412-800**
Colour: Red/Green

Model Number: **5VS-420-800**
Colour: Green/Black

Model Number: **5VS-421-800**
Colour: Green/Red

Model Number: **5VS-430-800**
Colour: Amber/Black

Panel Hole: Ø30 mm
Panel Thickness: 7 mm maximum