

Mini Horns Sirens Buzzer / Buzzer 128

Buzzer WM Contin/pulse 115VAC GY

Part No.: 128.000.67

**MECHANICAL DATA**

| | |
|------------------------------|-----------------------------|
| Length | 91 mm |
| Width | 83 mm |
| Height | 84 mm |
| Diameter | 83 mm |
| Materials | PC PC/ABS |
| Housing colour | Grey |
| Protection category | IP65 |
| Connection | Screw terminals |
| cross-sectional area maximum | 1,50mm ² / 16AWG |
| Cable entry | Membrane grommet |
| Cable entry minimum | d = 1 mm |
| Cable entry maximum | d = 9 mm |
| Tension relief | Pull-out protection |
| Type of fixing | Wall mounting |
| Working temperature minimum | -20°C |
| Working temperature maximum | +50°C |
| Weight with packaging | 139 g |
| Product weight | 109 g |

ELECTRICAL DATA

| | |
|-----------------------------|--------------------------|
| Operating voltage | 115V |
| Operating voltage type | AC |
| Operating voltage frequency | 60Hz |
| Operating voltage tolerance | +/- 10% |
| Rated operational voltage | 115 VAC |
| Rated operational current | 25 mA |
| Rated inrush current | 500 mA |
| Protection class | Protection class 2 |
| Pollution degree | 3 |
| Overvoltage category | II |
| Isolation voltage | Ui = 250V; Uimp = 2.500V |

ACUSTICAL DATA

| | |
|-----------------------------|-------------------------------|
| Volume (max) at 1m distance | 92,0 dB (A) |
| Acoustic signal image | Continuous tone Pulse tone |
| Audio frequency | 2300 Hz |
| Acoustic service life | 5,000 h minimum |



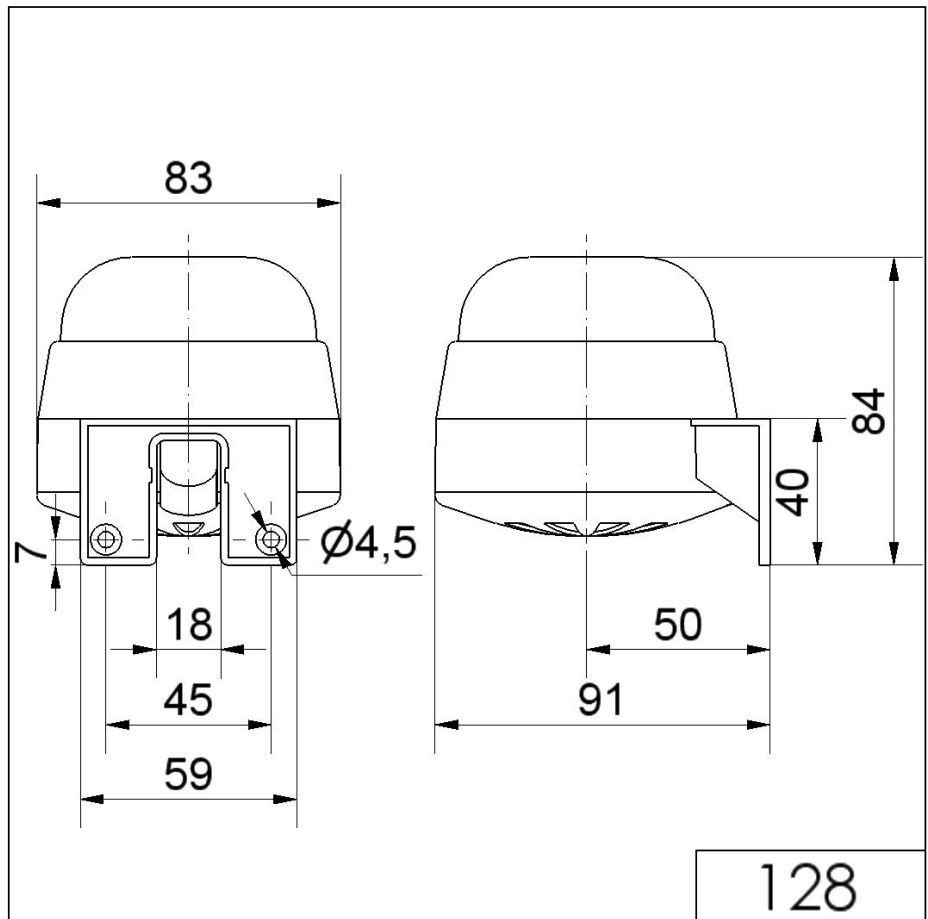
For additional installation and mounting information, refer to the appropriate user guide at www.werma.com. This printed copy is for information only and is subject to alteration.

Mini Horns Sirens Buzzer / Buzzer 128

Buzzer WM Contin/pulse 115VAC GY

| APPROVAL DATA | |
|------------------------------|-----|
| Conforms with CE | Yes |
| WEEE | Yes |
| Conforms with ATEX-directive | No |
| Conforms with CCC | No |
| Conforms with UL | No |
| Conforms with FCC | No |
| Conforms with IC | No |
| EAC certificate available | Yes |
| Conforms with AS-I | No |
| ICAO Certification | No |
| Conforms with DNV | No |
| Conforms with RoHS CN | No |
| Conforms with VdS | No |

DRAWING



For additional installation and mounting information, refer to the appropriate user guide at www.werma.com. This printed copy is for information only and is subject to alteration.