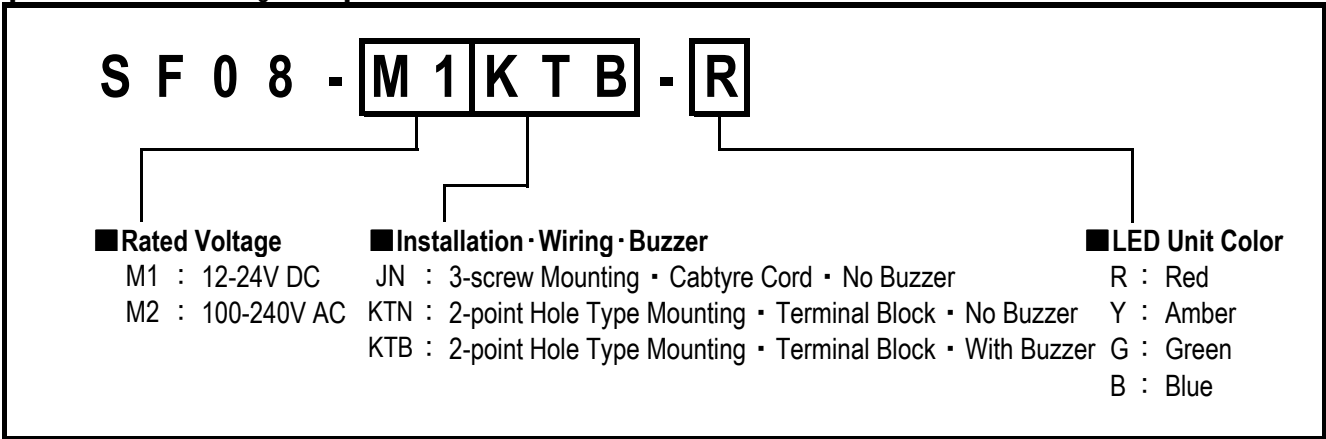


SPECIFICATIONS

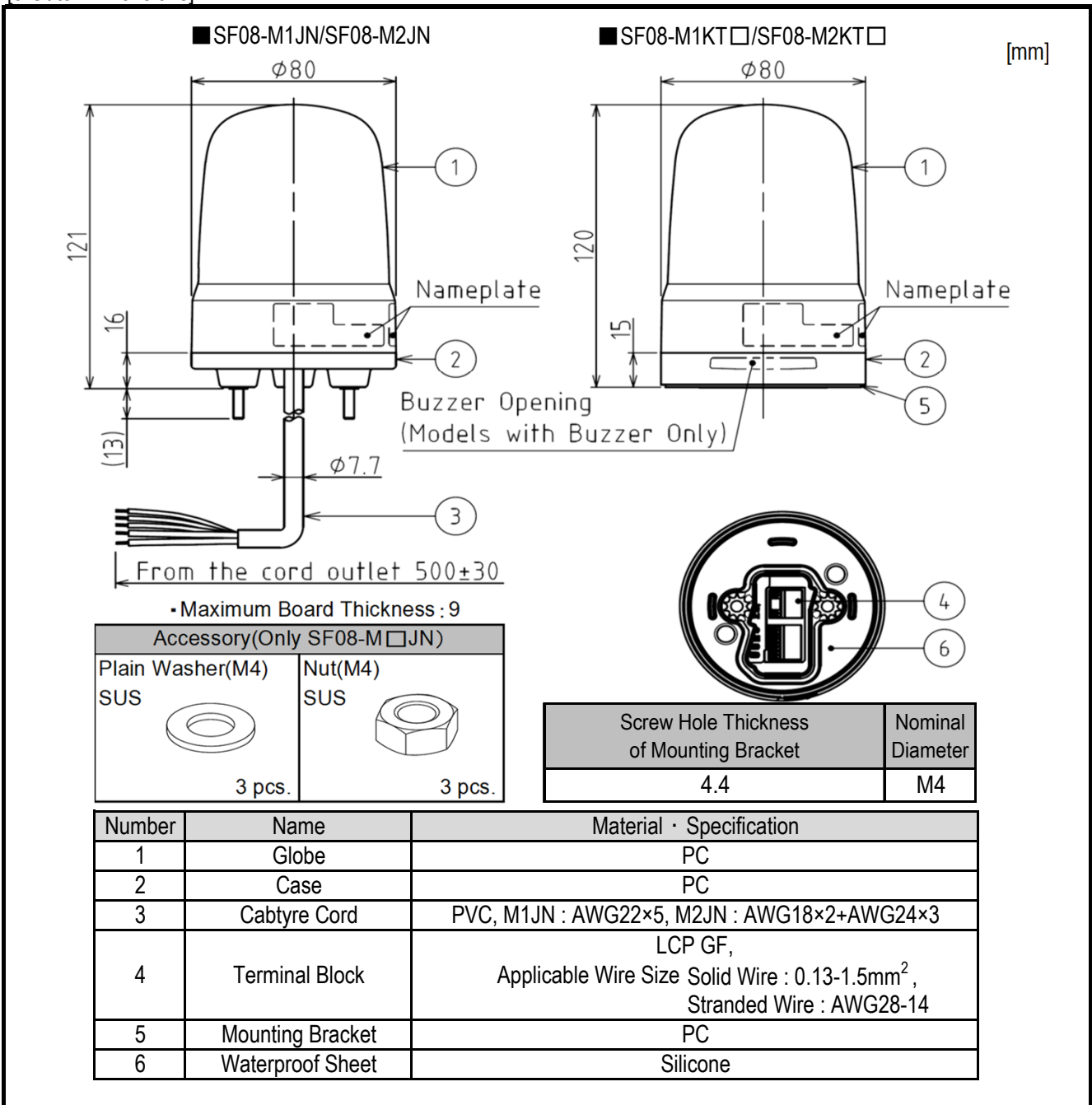
[1. General Specifications]

Product Name		Multi-function Beacons				
Model		SF08-M1□□□-□		SF08-M2□□□-□		
Rated Voltage		12-24V DC		100-240V AC (50/60Hz)		
Operating Voltage Range		10-30V DC		90-250V AC		
Rated Current Consumption	Max.	No Buzzer	12V DC 0.62A	24V DC 0.32A	100V AC 0.19A	240V AC 0.08A
		With Buzzer	0.64A	0.34A	0.20A	
Rated Power Consumption	Max.	No Buzzer	7.4W	7.7W	8.5W	
		With Buzzer	7.7W	8.2W	8.8W	
Operating Ambient Temperature		-20°C to +50°C				
Operating Ambient Humidity		Less than 90 % (No condensation)				
Storage Ambient Temperature		-30°C to +60°C				
Storage Ambient Humidity		Less than 90 % (No condensation)				
Mounting Location		Indoor/Outdoor				
Mounting Direction		Indoor : Upright, Inverted & Sideways Outdoor : Upright				
Protection Rating		SF08-M□JN	IP23			
		SF08-M□KT□	IP65(when used with SZW-102 Rubber Gasket attachment)			
Environmental Condition		Upright				
Insulation Resistance		More than 1MΩ at 500V DC between live part and non-current carrying metallic part		More than 3MΩ at 500V DC between live part and non-current carrying metallic part		
Withstand Voltage		500V AC applied for 1min between live part and non-current carrying metallic part without breaking insulation		4,000V AC applied for 1min between live part and non-current carrying metallic part without breaking insulation		
Mass (Typ.)		SF08-M1JN	0.27kg	SF08-M2JN	0.3kg	
		SF08-M1KTN	0.24kg	SF08-M2KTN	0.27kg	
		SF08-M1KTB	0.25kg	SF08-M2KTB	0.28kg	
Sound Pressure Level (Typ.)		86dB				
Environmental Condition		Measured at 1m from the front of the Buzzer Opening				
Rotation Flashing Rate(Typ.)		180 rpm[High Speed], 120 rpm[Middle Speed], 60 rpm[Low Speed]				
Flashing Rate(Typ.)		Single-flash(60 flashes per minute), Double-flash(90 flashes per minute) Triple-flash(120 flashes per minute), Pulse pattern(20 flashes per minute)				
Conformity Standards		UL	UL508, CSA-C22.2 No.14 (UL File No.E215660)			
		EMC Directive	EN61000-6-4 EN61000-6-2	EN61000-6-4, EN61000-6-2 EN61000-3-2, EN61000-3-3		
		KC	KN61000-6-4, KN61000-6-2			
		FCC	FCC Part15 SubpartB ClassA, ICES-003 ClassA			
		RoHS Directive	EN50581			
		Low Voltage Directive	IEC/EN60947-5-1,EN62471			
		EAC	TPTC020/2011		TPTC020/2011, TPTC004/2011	
		UL, Low Voltage Directive, and EAC have been evaluated for use in indoor industrial control equipment.				
Remarks		Due to the characteristics of the LED elements, there may be a slight variation in color tone and brightness between products.				

[2. Model Number Configuration]



[3. Outer Dimensions]

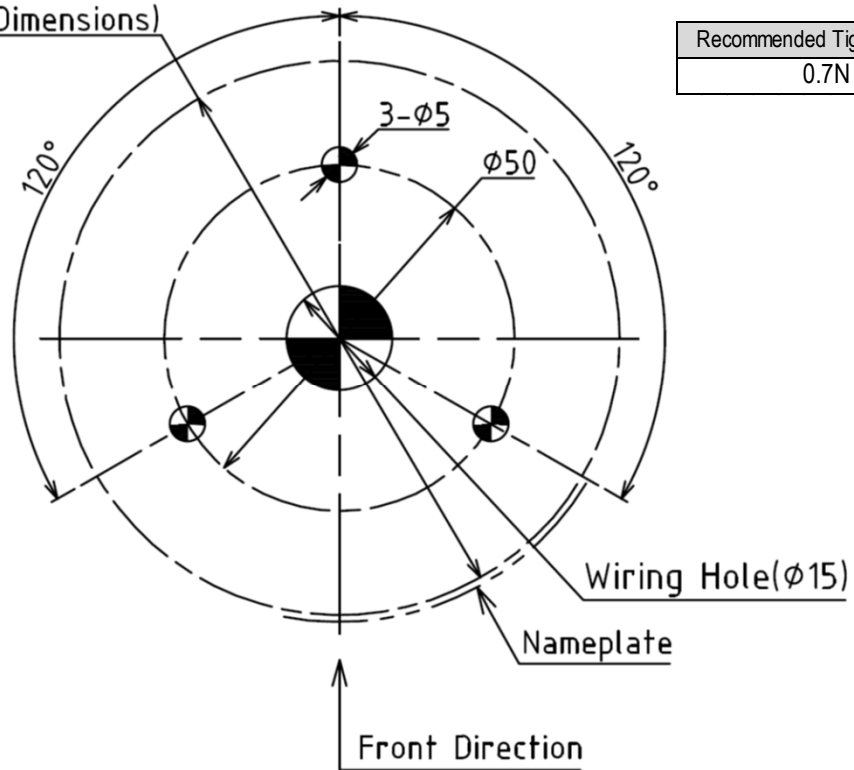


[4.Mounting Dimensional Drawing]

[mm]

■ SF08-M1JN/SF08-M2JN

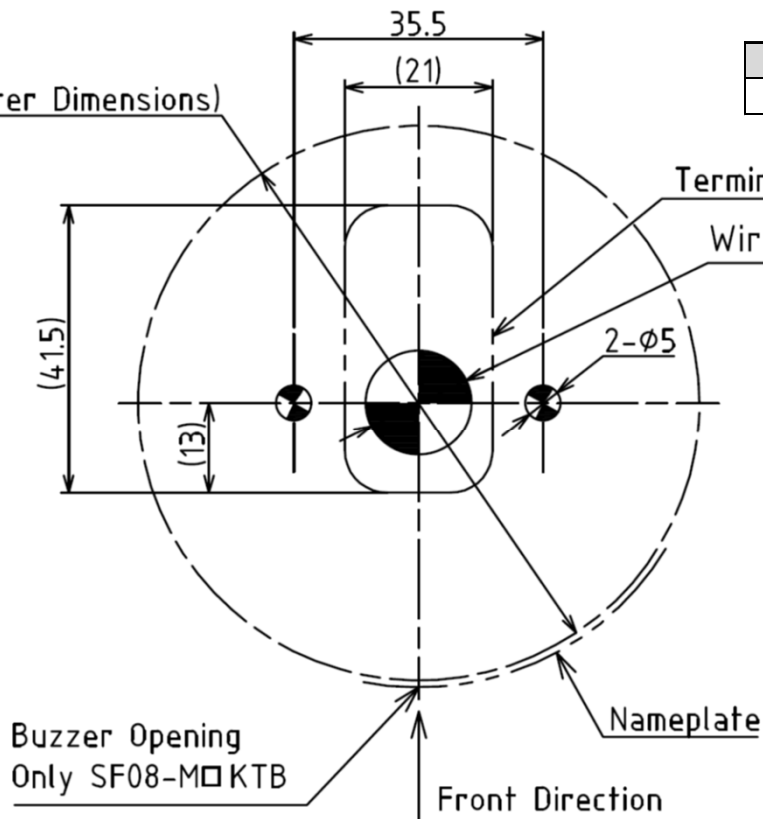
$\phi 80$ (Outer Dimensions)



Recommended Tightening Torque
0.7N·m

■ SF08-M1KT□/SF08-M2KT□

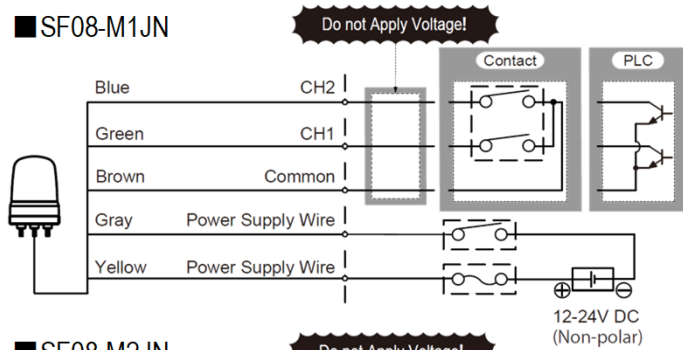
$\phi 80$ (Outer Dimensions)



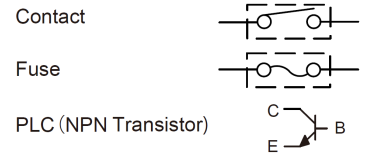
Recommended Tightening Torque
0.7N·m

[5.Wiring Diagram]

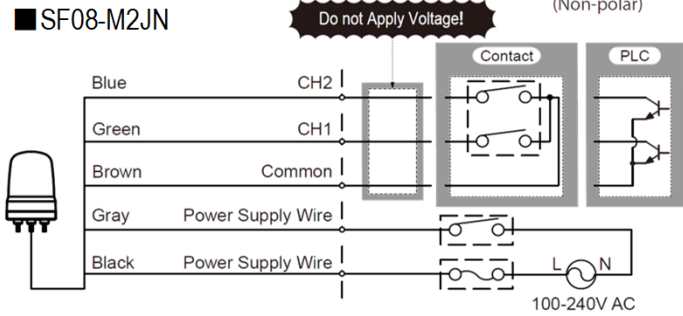
■ SF08-M1JN



Symbol



■ SF08-M2JN



【External contact capacity of power supply line】

	M1	M2
Current Capacity (Is)	3A or more	1A or more

【External contact capacity of signal line and buzzer line】※1

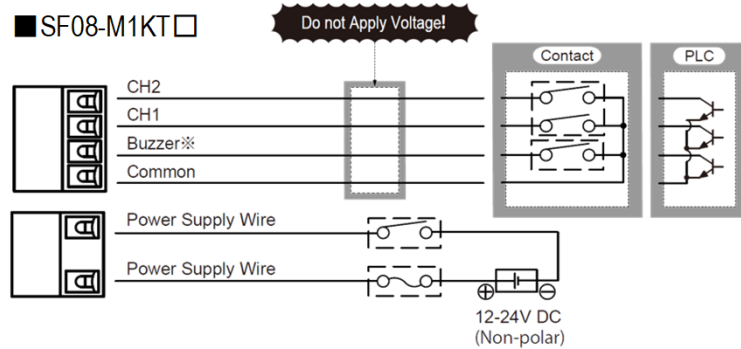
	M1	M2
Current Capacity (Is)	10mA or more	10mA or more
Withstand Voltage (Vs)	20V or more	20V or more
Leakage Current (IL)	0.1mA or less	0.1mA or less

※1 When using NPN transistor open collector.

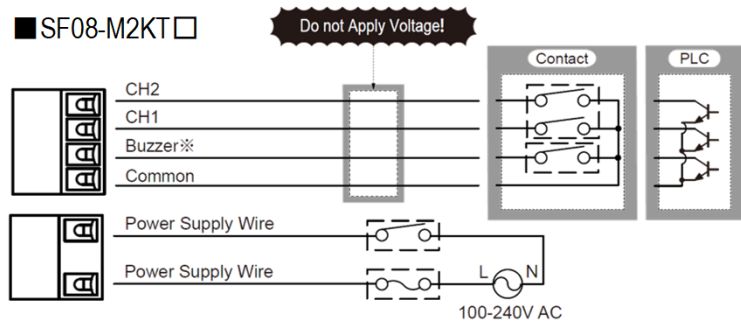
【Fuse】

Fuse Rating	250V 1A
-------------	---------

■ SF08-M1KT □



■ SF08-M2KT □



※For No Buzzer Models, do not require wiring.

■ Flash Pattern List

Rotary switch	Wiring	CH1	CH2	CH1	CH2	CH1	CH2	CH1	CH2
		OFF	OFF	ON	OFF	OFF	ON	ON	ON
0		Off		Rotating(120 rpm)		Triple-flash		Rotating(120 rpm)	
1		Off		Rotating(180 rpm)		Triple-flash		Rotating(180 rpm)	
2		Off		Triple-flash		Pulse pattern		Triple-flash	
3		Off		Rotating(60 rpm)		Rotating(120 rpm)		Rotating(180 rpm)	
4		Off		Single-flash		Double-flash		Triple-flash	
5		Triple-flash		Triple-flash		Triple-flash		Triple-flash	
6		Pulse pattern		Pulse pattern		Pulse pattern		Pulse pattern	
7		Rotating(60 rpm)		Rotating(60 rpm)		Rotating(60 rpm)		Rotating(60 rpm)	
8		Rotating(120 rpm)		Rotating(120 rpm)		Rotating(120 rpm)		Rotating(120 rpm)	
9		Rotating(180 rpm)		Rotating(180 rpm)		Rotating(180 rpm)		Rotating(180 rpm)	

= Dimmed

= Half-side emitted