



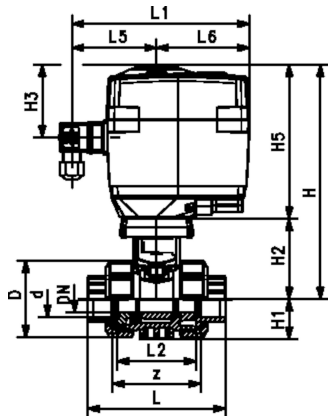
Ball valve type 127 PVC-U 100-230V
With manual emergency override
With solvent cement sockets Inch BS

Model:

- Built on with electric actuator EA15
- Voltage 100-230V, 50-60Hz
- Factory set control range 90°<
- Heating element, position feedback (Open/Close)
- Integrated stainless steel mounting inserts

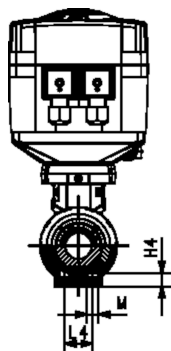
Option:

- Other valve and actuator configurations available
- Optional accessories: Fail-safe return unit

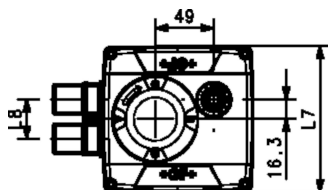


Size	d	DN	PN	kv-value	EPDM	Weight	FKM	Weight
(inch)	(mm)	(mm)	(bar)	($\Delta p=1$ bar)	Code	(kg)	Code	(kg)
				(l/min)				
3/8	16	10	10	70	199 127 402	2.100	199 127 412	2.100
1/2	20	15	10	185	199 127 403	2.137	199 127 413	2.100
3/4	25	20	10	350	199 127 404	2.226	199 127 414	2.200
1	32	25	10	700	199 127 405	2.300	199 127 415	2.334
1 1/4	40	32	10	1000	199 127 406	2.600	199 127 416	2.600
1 1/2	50	40	10	1600	199 127 407	3.000	199 127 417	3.000
2	63	50	10	3100	199 127 408	3.597	199 127 418	3.800

Size	D	H	H1	H2	H3	H4	H5	L	L1	L2	L4	L5	L6	L7	L8
(inch)	(mm)	(mm)	(mm)	(mm)	(mm)	(mm)	(mm)	(mm)	(mm)	(mm)	(mm)	(mm)	(mm)	(mm)	(mm)
3/8	50	197	27	60	64	12	137	92	161	56	25	77	83	122	33
1/2	50	197	27	60	64	12	137	95	161	56	25	77	83	122	33
3/4	58	201	30	64	73	12	137	110	161	65	25	77	83	122	33
1	68	207	36	70	73	12	137	123	161	71	25	77	83	122	33
1 1/4	84	213	44	76	84	15	137	146	161	85	45	77	83	122	33
1 1/2	97	219	51	82	84	15	137	157	161	89	45	77	83	122	33
2	124	234	64	97	106	15	137	183	161	101	45	77	83	122	33



Size	M	z
(inch)		(mm)
3/8	M6	64
1/2	M6	64
3/4	M6	72
1	M6	79
1 1/4	M8	93
1 1/2	M8	100
2	M8	113



The technical data are not binding. They neither constitute expressly warranted characteristics nor guaranteed properties nor a guaranteed durability. They are subject to modification. Our General Terms of Sale apply.

Georg Fischer Piping Systems Ltd, Postfach, CH-8201 Schaffhausen/Switzerland
 Phone +41 -(0)52-631 1111
 e-mail: info.ps@georgfischer.com
 Internet: <http://www.gfps.com>