

# RFID Transponder

## IQC21-30 25pcs

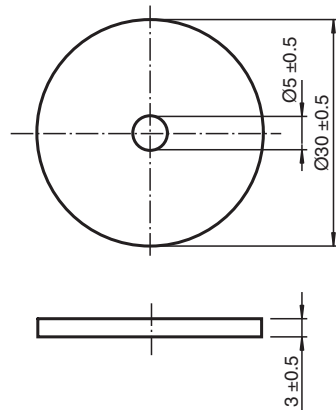


- Operating frequency 13.56 MHz
- 64 bit Fixcode
- 896 bits memory available
- Readable and writable from both sides
- Degree of protection IP68
- Mounting holes for simple installation

Data carrier

CE

## Dimensions



## Technical Data

| General specifications      |                            |
|-----------------------------|----------------------------|
| Operating frequency         | 13.56 MHz                  |
| Transfer rate               | 26 kBit/s                  |
| Memory                      |                            |
| Chip Type                   | I-CODE SLI (NXP)           |
| EEPROM                      | 896 Bit                    |
| UID                         | 64 Bit                     |
| Memory organization         | 4 bytes/block              |
| Read cycles                 | unlimited                  |
| Write cycles                | > 100000                   |
| Data retention period       | 10 years at 55 °C (131 °F) |
| Directive conformity        |                            |
| Radio equipment             |                            |
| Directive 2014/53/EU        | EN 300330                  |
| RoHS                        |                            |
| Directive 2011/65/EU (RoHS) | EN 50581                   |

Release date: 2020-03-26 Date of issue: 2020-03-27 Filename: 297750\_eng.pdf

Refer to "General Notes Relating to Pepperl+Fuchs Product Information".

Pepperl+Fuchs Group  
www.pepperl-fuchs.com

USA: +1 330 486 0001  
fa-info@us.pepperl-fuchs.com

Germany: +49 621 776 1111  
fa-info@de.pepperl-fuchs.com

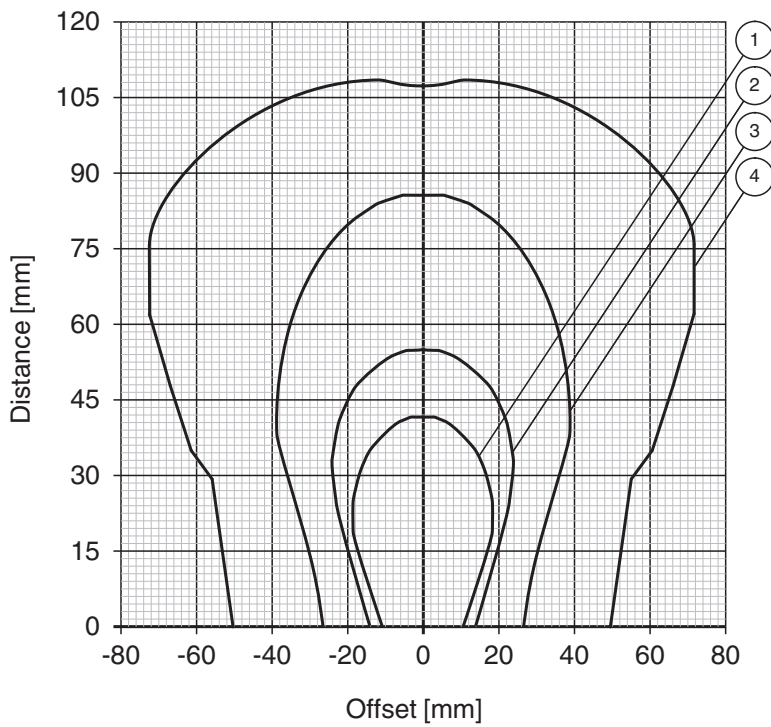
Singapore: +65 6779 9091  
fa-info@sg.pepperl-fuchs.com

 PEPPERL+FUCHS

**Technical Data**

|                                  |  |
|----------------------------------|--|
| <b>Standard conformity</b>       |  |
| Degree of protection             | EN 60529   |
| RFID                             | ISO/IEC 15693-1<br>ISO/IEC 15693-2<br>ISO/IEC 15693-3<br>ISO/IEC 18000-3 |
| <b>Ambient conditions</b>        |  |
| Ambient temperature              | -40 ... 90 °C (-40 ... 194 °F)   |
| Storage temperature              | -40 ... 120 °C (-40 ... 248 °F) 120 °C (248 °F) for 72 hours             |
| <b>Mechanical specifications</b> |  |
| Degree of protection             | IP68   |
| Material                         |  |
| Housing                          | PA9T   |
| Installation                     |  |
| In air                           | yes  |
| Construction type                | Cylindrical  |
| Note                             | Packaging unit, 25-piece   |

Reading range in air IQC21-30P



- ① IQH1-18GM-V1
- ② IQH1-F61-V1
- ③ IQH1-FP-V1
- ④ IQH1-F15-V1

Release date: 2020-03-26 Date of issue: 2020-03-27 Filename: 297750\_eng.pdf

Refer to "General Notes Relating to Pepperl+Fuchs Product Information".

## Application

The transponder can be read and written from either side.

Release date: 2020-03-26 Date of issue: 2020-03-27 Filename: 297750\_eng.pdf

Refer to "General Notes Relating to Pepperl+Fuchs Product Information".

Pepperl+Fuchs Group  
www.pepperl-fuchs.com

USA: +1 330 486 0001  
fa-info@us.pepperl-fuchs.com

Germany: +49 621 776 1111  
fa-info@de.pepperl-fuchs.com

Singapore: +65 6779 9091  
fa-info@sg.pepperl-fuchs.com