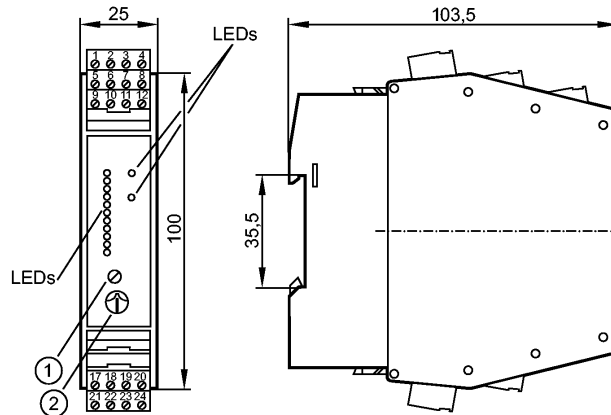


**SR0150**

VS3000/24VDC

Evaluation systems



- 1: Potentiometer (switch point flow)
- 2: Potentiometer (switch point temperature)



Made in Germany

**Product characteristics**

Control monitor for flow sensors

Mounting on DIN rail

Electrical connection by means of Combicon connectors with screw terminals (fitted)

Connection: 1 sensor

**Application**

Application: flow, temperature and wire break monitoring

**Electrical data**

Electrical design		DC
Operating voltage	[V]	24 DC
Voltage tolerance	[%]	+10 / -20
Current consumption	[mA]	90
Protection class		III
Reverse polarity protection		no

**Outputs**

Output function		Relay
<b>Switching function</b>		
- Flow monitoring		relay energised when flow is present and during the power-on delay time
- Temperature monitoring		relay energised when temperature is exceeded
- Wire break monitoring		relay de-energised in case of wire break or short circuit
Contact rating		4 A (250 V AC / 30 V DC)
Short-circuit proof		no
Overload protection		no
Undervoltage monitoring		In case of undervoltage all relays are de-energised, the LED "LOW VOLTAGE/WIRE BREAK-RELAY" lights

**Reaction times**

Power-on delay time	[s]	10...80 *)
Response time	[s]	max. 3

**Software / programming**

Adjustment of the switch point		potentiometer
Selection liquids / gases		link terminals 23-24 **)

## SR0150

VS3000/24VDC

Evaluation systems

Switch point setting		potentiometer
Temperature range	[°C]	0...80
Repeatability switch point / measured value	[K]	± 4

### Environment

Ambient temperature	[°C]	-20...60, in case of sufficient free space for convection cooling
Protection		IP 20

### Tests / approvals

MTTF	[Years]	263
------	---------	-----

### Mechanical data

Housing materials		PBT
Weight	[kg]	0.233

### Displays / operating elements

Function display		11 LED
Output status indication	LED	Red
Output status indication	LED	Red

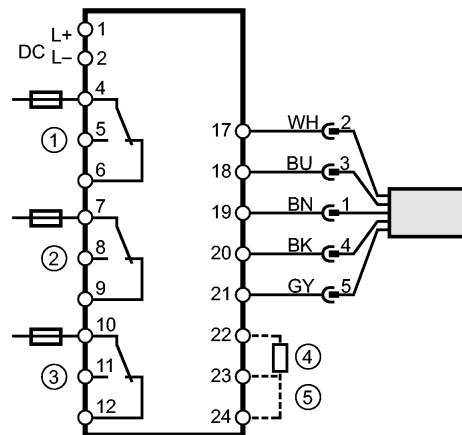
### Electrical connection

Connection		Combicon connector
------------	--	--------------------

#### Wiring

Core colours

BN	brown
BU	blue
BK	black
WH	white
GY	grey



- 1 = Flow monitoring
  - 2 = Wire break monitoring
  - 3 = Temperature monitoring
  - 4 = External resistor to set the power-on delay time
  - 5 = Link to monitor gaseous media
- Note: miniature fuse to IEC60127-2 sheet 1, ≤ 5 A (fast acting)

### Remarks

Remarks	<p>*) adjustable (fixed-value resistors terminals 22-23)</p> <p>**) Factory setting: Monitoring of liquids. For monitoring of gases: Link terminals 23 / 24.</p> <p>Recommendation: check the unit for reliable function after a short circuit.</p>
---------	---

Pack quantity	[piece]	1
---------------	---------	---