



Product designation	Fuse holder
Product type designation	FB
Number of DIN modules	1
Operating voltage type	AC

Electrical features

IEC maximum rated current (In)	A	32
IEC maximum rated voltage (Un)	V	690

IEC Utilization category	AC22B 500V - AC21B 690V
--------------------------	----------------------------

Derating factor of rated current In for different ambient temperature	20°C	1
	30°C	0.95
	40°C	0.9
	50°C	0.8
	60°C	0.7
	70°C	0.5

Derating factor of rated current In for side by side fuse holders (poles)	1-4	1
	5-6	0.8
	7-9	0.7
	≥10	0.6

Rated current (In)	A	32
--------------------	---	----

Ambient conditions

Operating temperature	min	°C	-20
	max	°C	+70

Storage temperature	min	°C	-40
	max	°C	+80

Max altitude	m	3000
--------------	---	------

Mechanical features

Operating position	normal allowable	Vertical plan Any
--------------------	---------------------	----------------------

Fixing	35mm DIN rail
--------	---------------

Tightening torque for terminals	max	Nm	2.5
	max	Ibin	22

Conductor section	Flexible max (IEC)	mm ²	16
	- Flexible max (AWG/kcmil)		8
	Rigid max (IEC)	mm ²	16
	- Rigid max (AWG/kcmil)		8

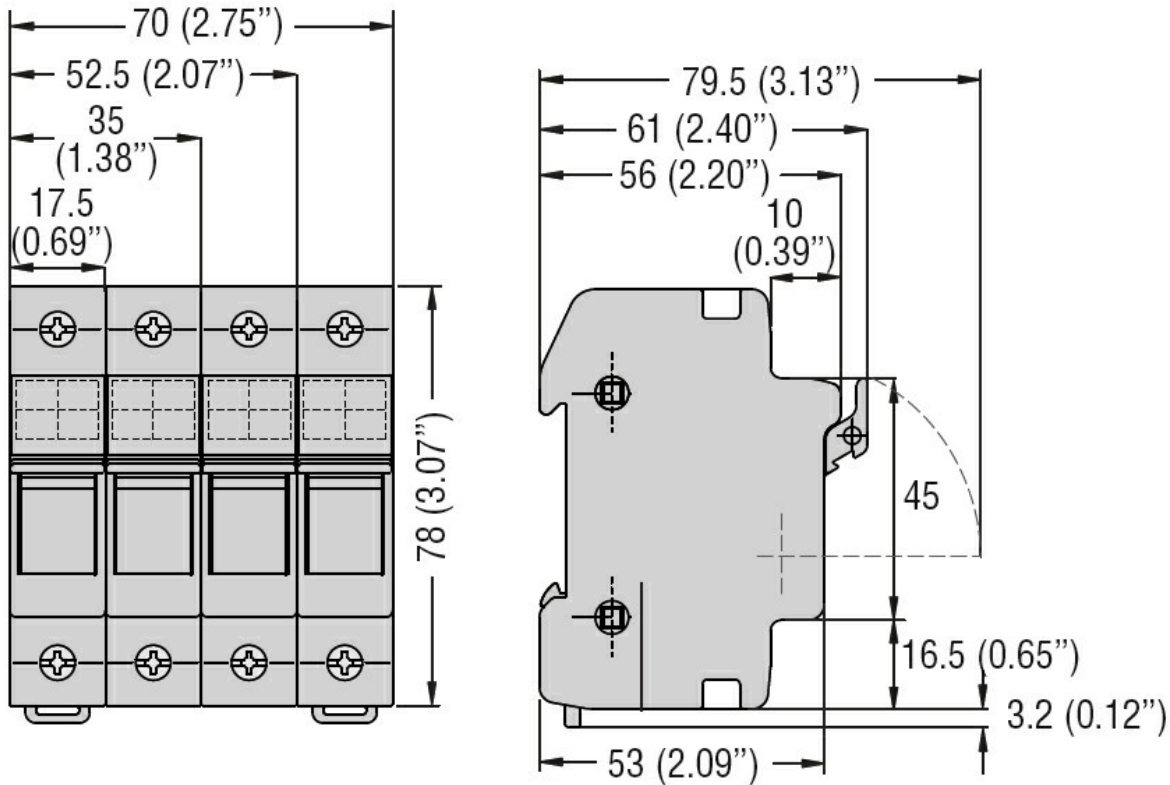
Weight	g	64
--------	---	----

Resistance & Protection

Frontal IP degree

IP20

Dimensions



Wiring diagrams



Certifications and compliance

Compliance

- IEC/EN 60269-1
- IEC/EN 6069-2
- IEC/EN 60947-1
- IEC/EN 60947-3

Certifications

EAC

ETIM classification

ETIM 8.0

EC002705 -
Holder for
cylindrical fuse