

# GL... SERIES SWITCH DISCONNECTOR DATASHEET

Order code	IEC conventional free air thermal current Ith AC21A (≤690V)	IEC rated operational current Ie AC22A (≤690V) AC23A (≤415V)	Qty per pkg	Wt
	[A]	[A]	n°	[kg]

Supplied without handle.

Complete the changeover switch by selecting shaft extension and handle for door coupling version or the handle for direct operating version (see page 11-25).

<b>GLC0160 C1</b>	160	160	1	3.500
<b>GLC0200 C1</b>	200	200	1	3.500
<b>GLC0250 C1</b>	250	250	1	3.500
<b>GLC0315 C1</b>	315	250	1	3.500

## ACCESSORIES

Order code	Characteristics	Qty per pkg	Wt
		n°	[kg]

Auxiliary contacts.

<b>GLX10 01</b>	1NC with screw terminals	1	0.011
<b>GLX10 10EA</b>	1EB with screw terminals	1	0.011

Neutral terminal.

<b>GLX3 00</b>	For GL0160...GL0315	1	0.200
----------------	---------------------	---	-------

Earth/ground terminal.

<b>GLX3 01</b>	For GL0160...GL0315	1	0.200
----------------	---------------------	---	-------

One-pole terminal covers.

<b>GLX8 00</b>	3-piece set, each covers 1 pole	1	0.011
<b>GLX8 01</b>	4-piece set, each covers 1 pole	1	0.011

One-pole phase barrier (needed for voltages > 500V).

<b>GLX9 00</b>	6-piece set, each covers 1 pole	1	0.011
<b>GLX9 01</b>	8-piece set, each covers 1 pole	1	0.011

### General characteristics

- 160 to 315A AC21A versions
- 200A general purpose according to UL1008
- Screw fixing on plate
- Visible contacts.

### Operational characteristics

- Rated insulation voltage Ui: 1,000V
- Rated impulse withstand Uimp: 12kV
- Mechanical life: 20,000 cycles.

### Certifications and compliance

Certifications pending: cULus according to UL1008 for GLC...UL types.

Compliant with standards: IEC/EN 60947-6-1, IEC/EN 60947-3.

### Operational characteristics of auxiliary contacts GLX10...

- Conventional free air thermal current Ith: 10A
- Rated insulation voltage: 690V
- Conductivity: 5V, 1mA
- UL/CSA and IEC/EN 60947-5-1 designation: A600 Q600
- Tightening torque: 0.8Nm/7.1lb.in
- Maximum 8 contacts for GL0160...GL0315 switch disconnectors
- Maximum 4 contacts for GLC0160...GLC0315 changeover switches.

### Operational characteristics of neutral and earth/ground terminals GLX3...

- Add-on only on GL0160...GL0315 switch disconnectors
- Tightening torque: 15...22Nm/132.7...194.7lb.in.

### Operational characteristics for terminal covers and phase barriers GLX8..., GLX9...

- Snap on mounting.

### Operational characteristics for terminal clamps GLX5...

- Maximum conductor cross section: 120mm<sup>2</sup>/250kcmil
- Minimum conductor cross section: 16mm<sup>2</sup>/6AWG
- Tightening torque: 35Nm/309.7lb.in.

### Certifications and compliance

Certifications obtained: cULus

Compliant with standards: IEC/EN 60947-1, IEC/EN 60947-3.

# GL... SERIES SWITCH DISCONNECTOR DATASHEET

Order code	Characteristics	Qty per pkg	Wt
		n°	[kg]

Direct operating handles.

<b>GLX61 DB</b>	For GL0160...GL0315 and GLC0160...GLC0315. Black	1	0.075
<b>GLX61 D</b>	For GL0160...GL0315. Red/yellow	1	0.075

Door coupling handles.

<b>GLX61</b>	For GL0160...GL0315. Screw fixing. 125mm lever length pistol handle - defeatable (req. UL508A). Red/yellow. □ 10mm	1	0.200
<b>GLX61 B</b>	For GL0160...GL0315. Screw fixing. 125mm lever length pistol handle - defeatable (req. UL508A). Black. □ 10mm	1	0.200

Accessories for door coupling handles.

<b>GLX00</b>	Shaft alignment ring	1	0.040
--------------	----------------------	---	-------

Shaft extensions for door coupling handles GLX61, GLX61 B, GLX61 CB type.

<b>GLX7 150 S10</b>	150mm long. □ 10mm	1	0.120
<b>GLX7 200 S10</b>	200mm long. □ 10mm	1	0.155
<b>GLX7 300 S10</b>	300mm long. □ 10mm	1	0.240
<b>GLX7 400 S10</b>	400mm long. □ 10mm	1	0.280
<b>GLX7 500 S10</b>	500mm long. □ 10mm	1	0.310

## Operational characteristics for direct operating handles

- Snap on mounting on switch disconnectors and changeover switches
- 1 to 3 padlocks in the Ø4...6mm.

## Operational characteristics for door coupling handles

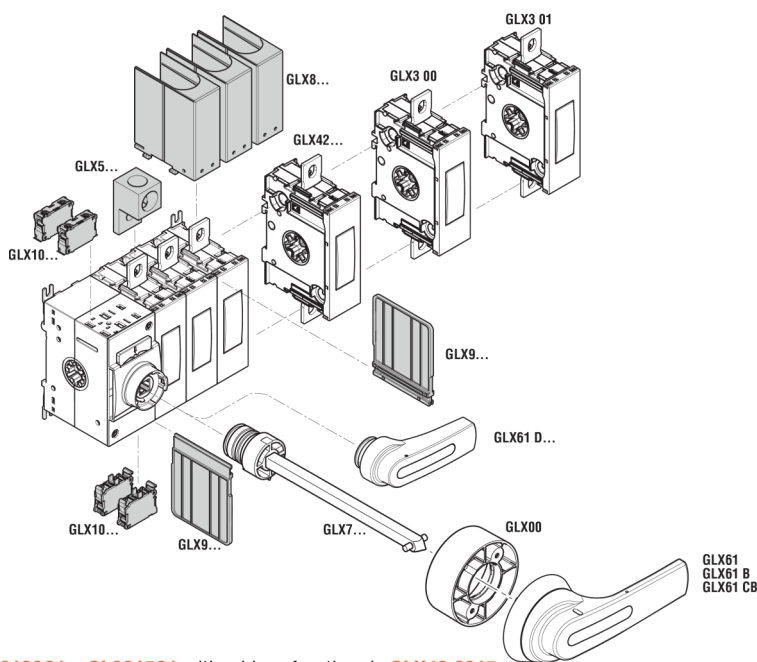
- Fixing handles interaxis: 28x40mm
- 1 to 3 padlocks in the Ø4...8mm
- Tightening torque: 1.5Nm/13.3lbin
- Degree of protection: IP66 and NEMA 4X for UL.

NOTE: Types GLX61, GLX61 B, GLX61 CB are UL/CSA Type 1, 2, 3R, 12, 12K, 4, 4X external use.

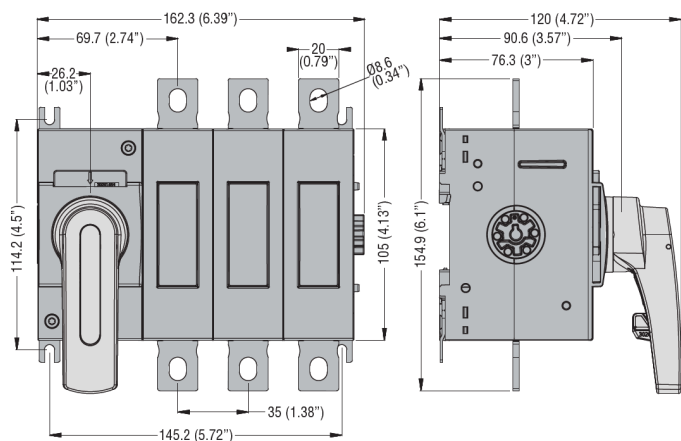
## Certifications and compliance

Certifications obtained: cULus.

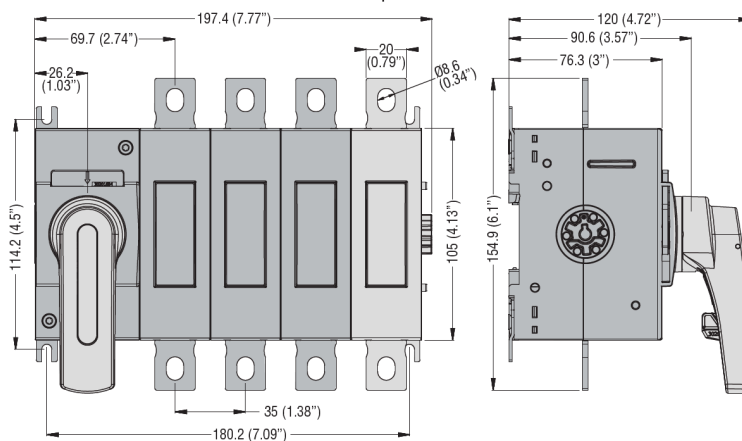
Compliant with standards: IEC/EN 60947-1, IEC/EN 60947-3



GL0160C1...GL0315C1



GL0160C1...GL0315C1 with add-on fourth pole GLX42 0315



# GL... SERIES SWITCH DISCONNECTOR DATASHEET

## TECHNICAL DATA ACCORDING TO IEC/EN 60947

TYPE	3-pole	GL0160...	GL0200... / GL0200...UL	GL0250...	GL0315...
	4-pole	GLX42 0315			
<b>CONTACT CHARACTERISTICS</b>					
IEC conventional free air thermal current I <sub>th</sub> (≤40°C)	A	160	200	250	315
IEC rated insulation voltage U <sub>i</sub>	V	1000			
IEC rated impulse withstand U <sub>imp</sub>	kV	12			
IEC rated operational current I <sub>e</sub>					
AC21A	400V A	160	200	250	315
	500V A	160	200	250	315
	690V A	160	200	250	315
AC22A	400V A	160	200	250	315
	500V A	160	200	250	315
	690V A	160	200	250	315
AC23A	400V A	160	200	250	250
	500V A	160	200	250	250
	690V A	160	200	250	250
Power dissipation	W/pole	3.2	4	6.5	6.5
IEC rated operational power					
AC23A	400V kW	90	110	140	140
	690V kW	144	200	250	250
IEC reactive power for control of capacitors 400V	kvar	80	100	115	145
<b>SHORT CIRCUIT PROTECTION</b>					
Rated short-time current (1s) I <sub>cs</sub>	kA rms	8			
Conditional short-circuit current	kA rms	100			
With fuse class gG	A	160	200	250	315
Making capacity AC23A 400V	A	1600	2000	2500	2500
Breaking capacity AC23A 400V	A	1280	1600	2000	2000
Mechanical life	cycles	20000			
Terminal for busbars	mm	M8 x 25			
Tightening torque	Nm	15..22			
	I <sub>bin</sub>	132...194			
Conductor section min.	mm <sup>2</sup>	70	95	120	185
	AWG/Kcmil	00	000	250	400
<b>AMBIENT CONDITIONS</b>					
Temperature	Operating	°C -25...+55			
	Storage	°C -40...+70			
Maximum altitude	m	3000			
Mounting position	Normal	Vertical			
	Admissible	Any			
Fixing		By screw or on 35mm DIN rail (IEC/EN 60715)			

## TECHNICAL DATA ACCORDING TO UL/CSA RATINGS

TYPE	3-pole	—	GL0200...UL	—	—
	4-pole	—	GLX42 0200UL	—	—
Compliance		—	UL98 CSA C22.2 N°4	—	—
General purpose current ratings	A	—	200	—	—
Max operating voltage	V	—	600	—	—
Horsepower ratings /motor FLA current three-phase					
	240V HP/A	—	75/192	—	—
	480V HP/A	—	150/180	—	—
	600V HP/A	—	200/192	—	—
Short circuit ratings	KA rms	—	200	—	—
With fuse class J	A	—	200	—	—
Terminal kit lugs		—	GLX5...	—	—
Minimum enclosure dimensions at rated current	mm	—	400 x 250 x 150	—	—