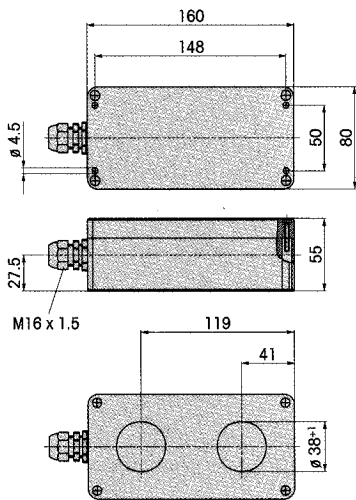
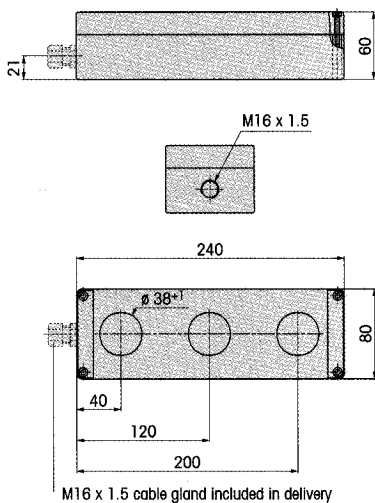


# Technical Diagrams

815/816/817 Special parts



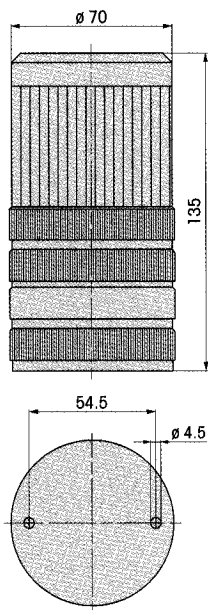
975 815 07 Double surface housing



975 815 08 Triple surface housing

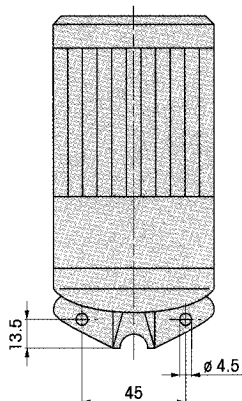
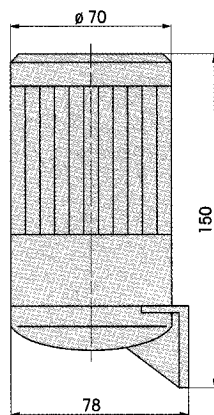
820

Flashing Beacon



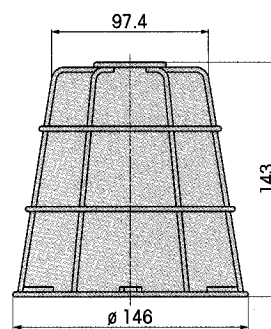
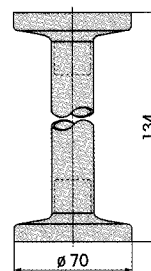
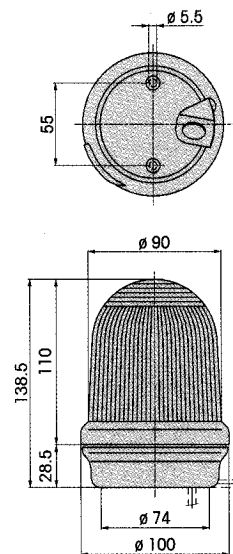
825

Flashing Beacon



826/827/828

Permanent/  
Blinking/Flashing Beacon



975 826 03

Wire guard