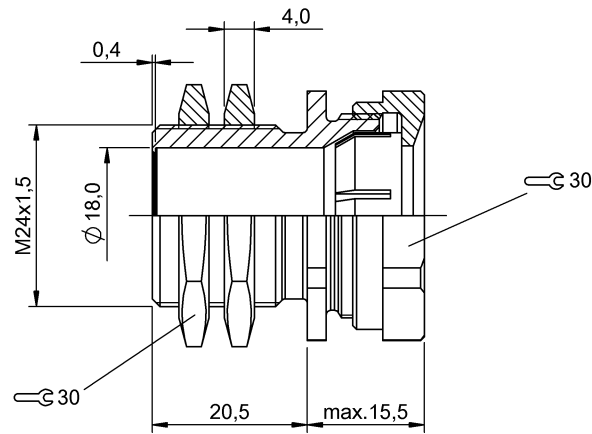


BES 18,0-KH-2S
Order code: BAM00FT

Mounting clamp



Basic data

Application
Scope of delivery

Use with sensors \varnothing 18mm and M18
Clamp holder (1x)
Nut DIN 1763 M24x1.5 (2x)

Mechanical data

Dimensions
Mounting type
Tightening torque
Tightening torque for clamping

30.0 mm x 36.0 mm
screwing/clamping
25 Nm
4.0 Nm

Material
Surface protection

CuZn
Nickel-plated

Remarks

The fixed stop may alter the switching distance of the proximity switch.
The proximity switch is inserted into the clamp holder up to the fixed stop and secured using a pressure screw.
For proximity switches from fixing length 30 mm

Definitions see general catalog

Subject to change without notice.

000000000000/552168/000000000