

# Magnetic Paddle Flow Sensor/Switch for Easy On/Off Control

8010

**INLINE Quarter-Turn**



- ✓ **ON/OFF Control System for Monitoring and Switching**
- ✓ **Mechanical adjustment of set point**
- ✓ **No contact to Fluid thanks to INLINE Quarterturn Technique**

This mechanical single paddle Sensor/Switch is specially designed for monitoring minimum/maximum values of flow. The switching point can be set by turning a spring screw. The switching is done by a moving magnet and a reed contact. The connection to the process in the piping is done with the „easy to connect“ quarter-turn technique of the INLINE fittings.

## Process Specification

Pipe diameter	DN 15...DN 50
Switching range	see table
Fitting	Bürkert INLINE fitting S010
Housing material	PC+20% glass fiber
Sensor element	reed contact on single paddle

## Electrical Specification

Reed contact output:	
Max. switching voltage	30 VDC, 250 VAC
Max. switching current	1 A
Max switching power	50 W
Recommended max. cable length	100 m shielded, section 0.14...0.5 mm <sup>2</sup>

## Electrical Connections

Optional EaseOn cable plug	3 wire, plug in-turn off
Cable plug	DIN 43650A

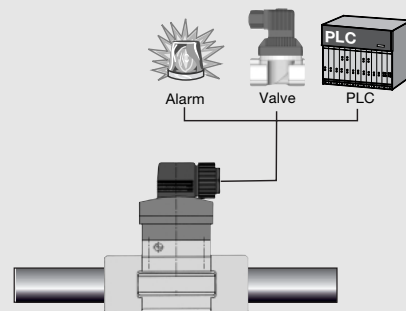
## Environment Specifications

Fluid temperature max.	55°C
Ambient temperature max.	0...+55°C
Fluid pressure max.	PVC, PP, PVDF: PN10 Metal fitting: PN16
Type of protection	IP 65 with connector plugged in

## Standards

EMI	EN 50081-1, 50082-2, 61010-2
-----	------------------------------------

## Monitoring - Min./Max. values



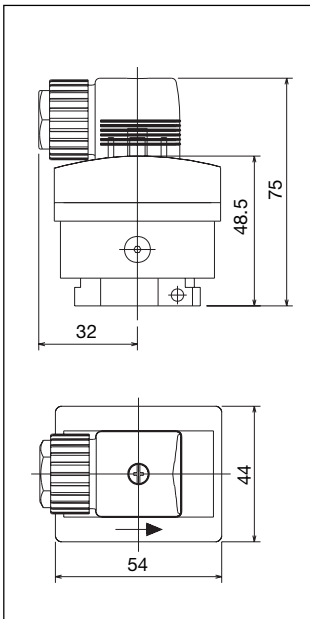
# Magnetic Paddle Flow Sensor/Switch for Easy On/Off Control

Ordering table for SE10 (electronic SE10 and sensor fitting S010 build the 8010)  
ON/OFF Flow Control System, mechanical, magnetic paddle INLINE type

Output	Connector	Item-No.
read contact NO	Connector cable plug DIN, PG9	438 087 L
read contact NC	Connector cable plug DIN, PG9	438 088 V

Fittings with Magnetic Sensor Paddle - PVC, PVDF, PP, Stainless Steel or Brass  
(see datasheet fittings S010)

## Dimensions [mm]

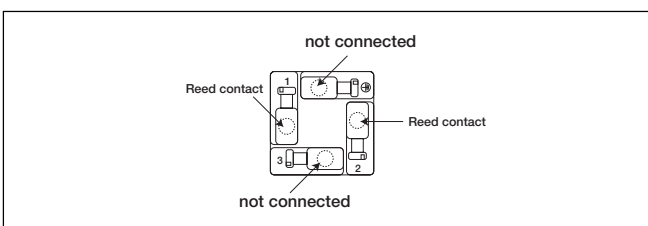
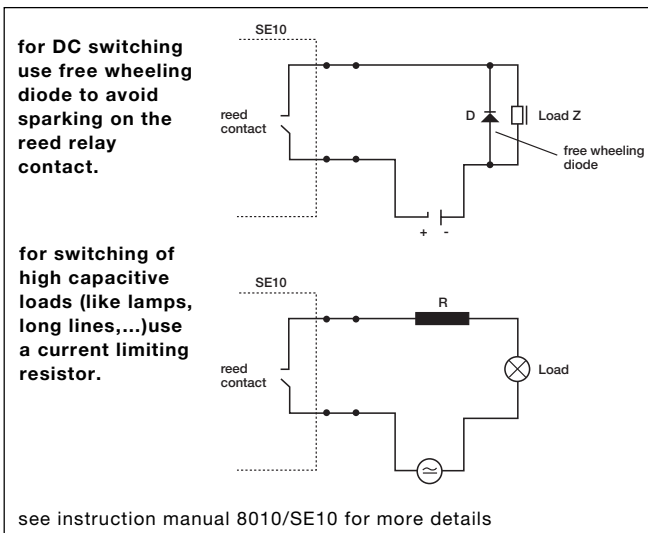


## Variable dimensions [mm]

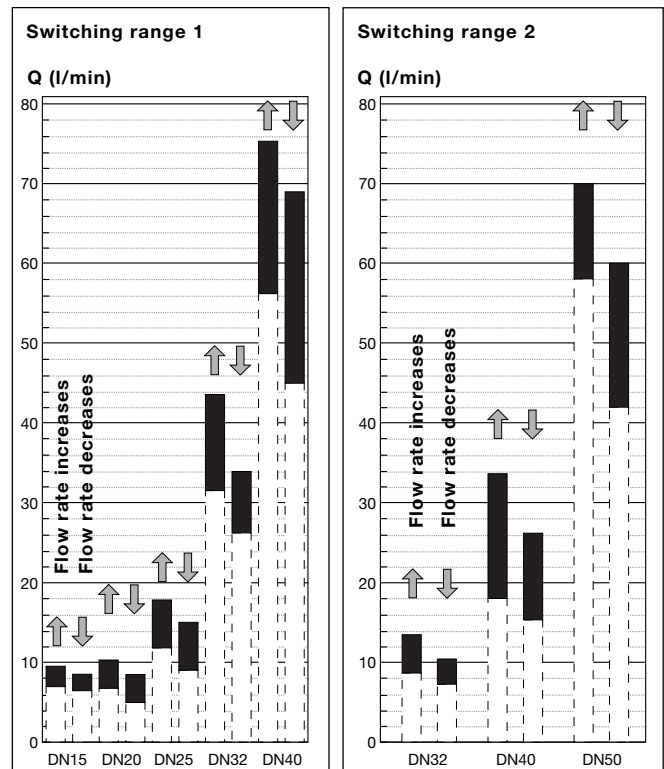
### Magnetic paddle flow switch type 8010

Range 1 or 2	Fitting DN (mm)	Fluid velocity (water) (m/s)		Flow rate				
		min	max	(l/mn)		(m³/h)		
1	15	0.65	->	0.90	6.9	9.5	0.41	0.57
	15	0.60	<-	0.80	6.4	8.5	0.38	0.51
1	20	0.35	->	0.55	6.6	10.4	0.40	0.62
	20	0.25	<-	0.45	4.7	8.5	0.28	0.51
2	32	0.18	->	0.28	8.5	13.5	0.51	0.81
	32	0.15	<-	0.22	7.0	10.5	0.42	0.63
1	25	0.40	->	0.60	11.8	17.7	0.71	1.06
	25	0.30	<-	0.50	8.8	14.7	0.53	0.88
2	40	0.25	->	0.45	18.8	33.9	1.13	2.04
	40	0.20	<-	0.35	15.1	26.4	0.90	1.58
1	32	0.65	->	0.90	31.4	43.4	1.88	2.61
	32	0.55	<-	0.70	26.5	33.8	1.59	2.03
2	50	0.49	->	0.59	58.0	70.0	3.48	4.20
	50	0.36	<-	0.51	42.0	60.0	2.52	3.60
1	40	0.75	->	1.00	56.5	75.4	3.39	4.52
	40	0.60	<-	0.90	45.2	67.9	2.71	4.07

## Electrical connection - Reed contact version



## Switching range table for fitting PVC, PVDF, PP, SS, Brass



In case of special application requirements,  
please consult for advice.

We reserve the right to make technical changes without notice.  
910-GB/ 2-0196